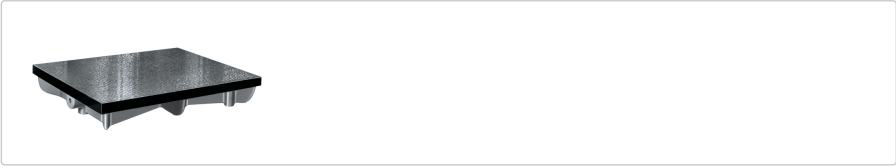


Cast Iron Surface Plate, DIN 876

Item number: 902-304



Images



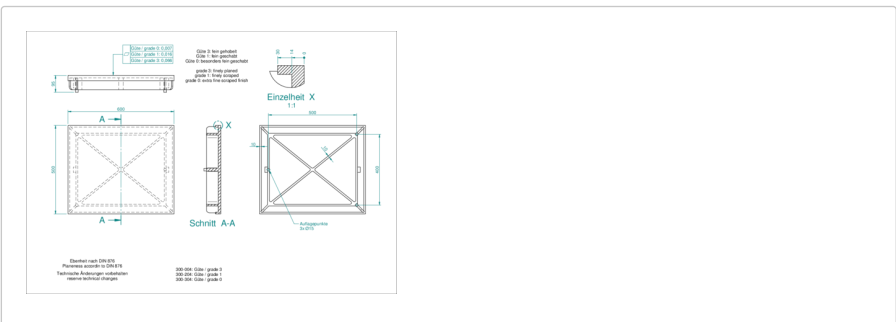
Description

- A ribbed design gives you rigidity with minimum weight, and a special cast iron confers a high degree of wear resistance.

Features

| | |
|------------------------------|--|
| Dimensions L x W x H: | 600 x 500 x 120 mm |
| Accuracy: | According to DIN 876; Grade 1 : fine scraped |
| Mass: | 65 kg |

Dimensions



Accessories

Optional accessories:



Stand (Angle Steel)

for Cast Iron Plate 800x500x140mm
Art No. 902-930

Price on application



Stand (Angle Steel)

for Cast Iron Plate 1000x750x170mm

Art No. 902-931

Price on application



Stand (Angle Steel)

for Cast Iron Plate 1200x800x180mm

Art No. 902-932

Price on application