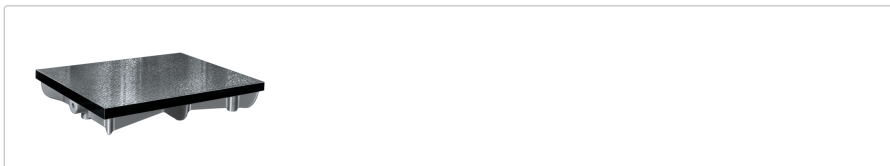


Cast Iron Surface Plate, DIN 876

Item number: 902-305



Images



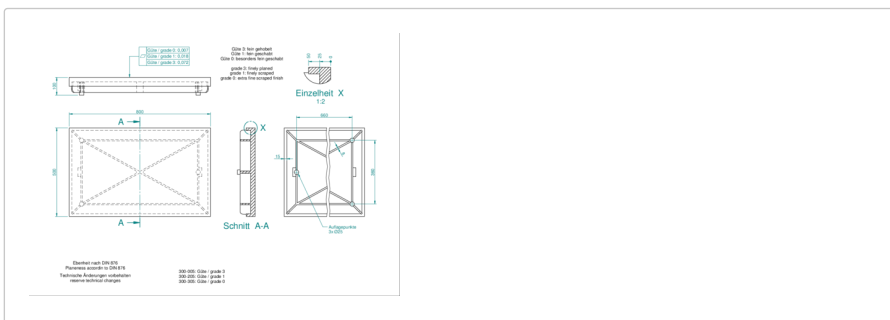
Description

- A ribbed design gives you rigidity with minimum weight, and a special cast iron confers a high degree of wear resistance.

Features

Dimensions L x W x H:	800 x 500 x 140 mm
Accuracy:	According to DIN 876; Grade 1 : fine scraped
Mass:	95 kg

Dimensions



Accessories

Optional accessories:



Stand (Angle Steel)

for Cast Iron Plate 800x500x140mm
Art No. 902-930

Price on application

