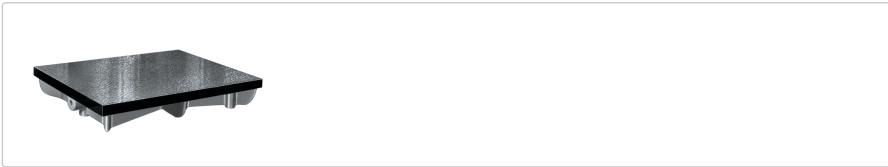


## Cast Iron Surface Plate, DIN 876

Item number: 902-105



### Images



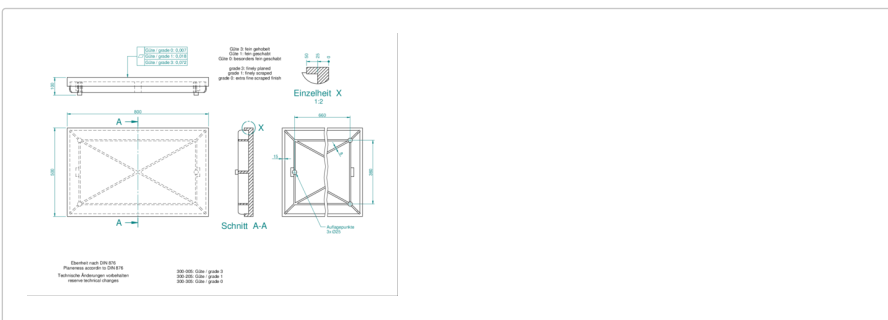
### Description

- A ribbed design gives you rigidity with minimum weight, and a special cast iron confers a high degree of wear resistance.

### Features

<b>Dimensions L x W x H:</b>	800 x 500 x 140 mm
<b>Accuracy:</b>	According to DIN 876; Grade 3 : fine planed
<b>Mass:</b>	95 kg

### Dimensions



### Accessories

Optional accessories:



#### Stand (Angle Steel)

for Cast Iron Plate 800x500x140mm  
Art No. 902-930

**Price on application**

