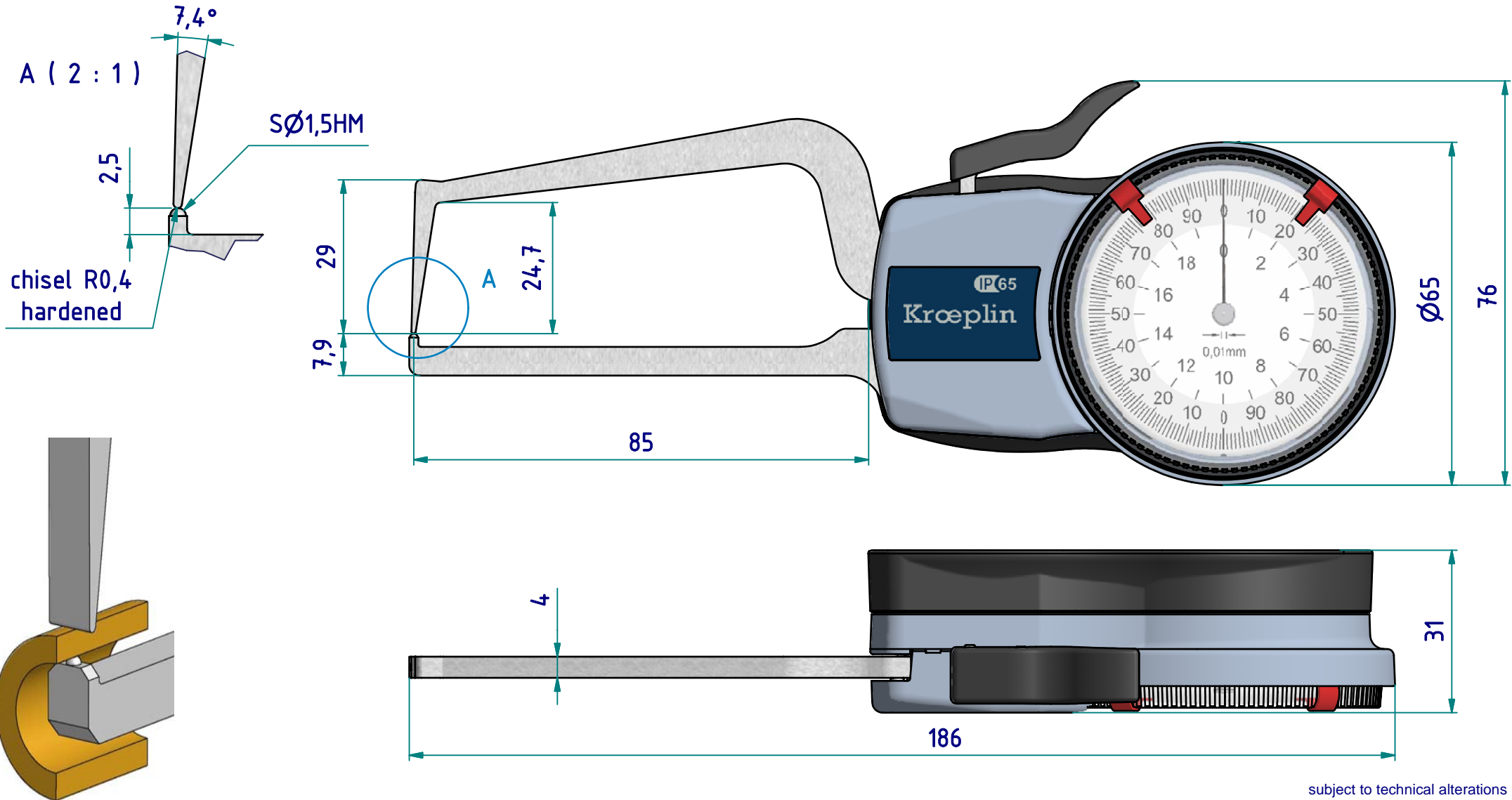


# data sheet: D2R20S

Kroepelin GmbH  
Gartenstraße 50  
D-36381 Schlüchtern

Tel.: 06661 86 0  
Fax: 06661 86 39  
Mail: sales@kroepelin.com  
Web: www.kroepelin.com

**Kroepelin**  
Längenmesstechnik

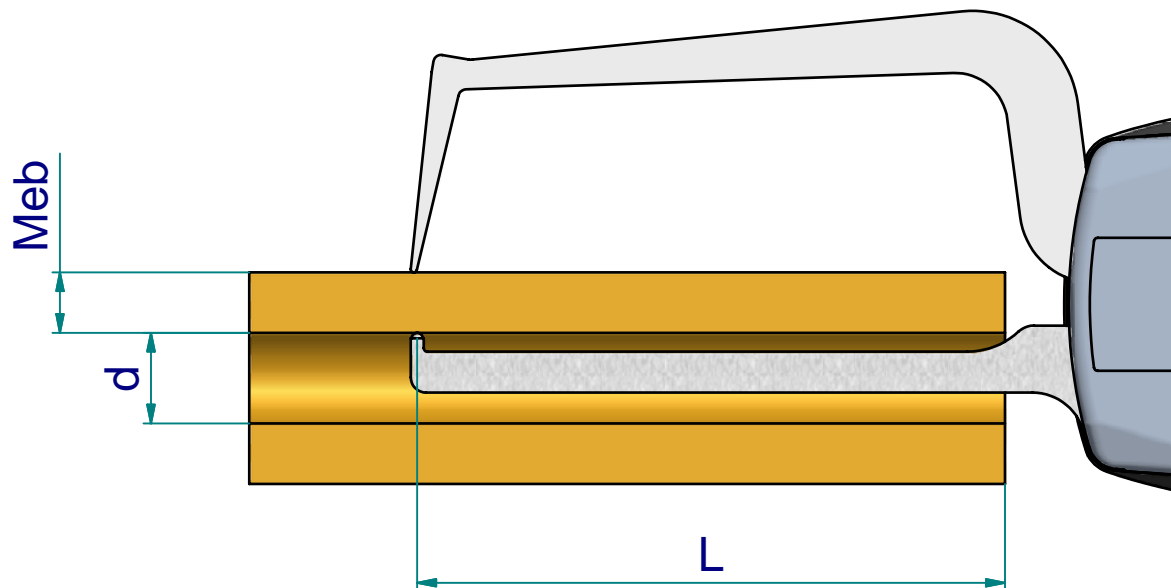


subject to technical alterations

type: D  
range: 0 - 20 mm  
range of indication: 0 - 20,5 mm  
digital step: -  
scale interval: 0,01 mm  
measuring force: 1,1 - 1,6 N  
weight: 200 g

acceptable deviations  
VDI/VDE/DGQ 2618 Bl. 12.1/13.1)  
max. permissible  
errors "G": 0,03 mm  
repeatability "r": 0,01 mm  
reference temperature: 20° C  
operation temperature: 10° C - 30° C  
storage temperature: -10° C - 50° C

scale: 1:1  
drawing-nr.: DAB-D2R20S\_KR\_e  
date of issue: 08.01.09  
name: T.Koenig  
revision status:  
revision date:



measuring capacity

measuring range **Meb** [mm]

internal diameter  
**d** [mm]

	0,5	2	4	6	8	10	12	15	18	20
<b>9</b>	40,9	19,4	17,4	18,5	21,1	25,6	33,5	65,7	79,2	78,2
<b>10</b>	82,9	41,2	37,0	39,3	44,8	54,3	70,9	80,3	79,2	78,2
<b>11</b>	84,9	63,1	56,6	60,0	68,5	80,8	80,5	80,3	79,2	78,2
<b>12</b>	85,4	82,7	76,2	80,8	81,3	80,8	80,5	80,3	79,2	78,2
<b>13</b>	85,4	84,6	83,4	82,1	81,3	80,8	80,5	80,3	79,2	78,2
<b>&gt;14</b>	85,4	85,5	83,4	82,1	81,3	80,8	80,5	80,3	79,2	78,2
<b>L</b>										

**L = maximum usable arm length [mm]**  
 Example:  
 d = 11 Meb = 4 L = 56,6

subject to technical alterations

drawing-nr.: DAB-D2R20S\_KR\_e  
 date of issue: 08.01.09  
 name: T.Koenig  
 revision status:  
 revision date: