

# data sheet: AE2105

measurement of the Clinchhight CH  
FEA 222 D

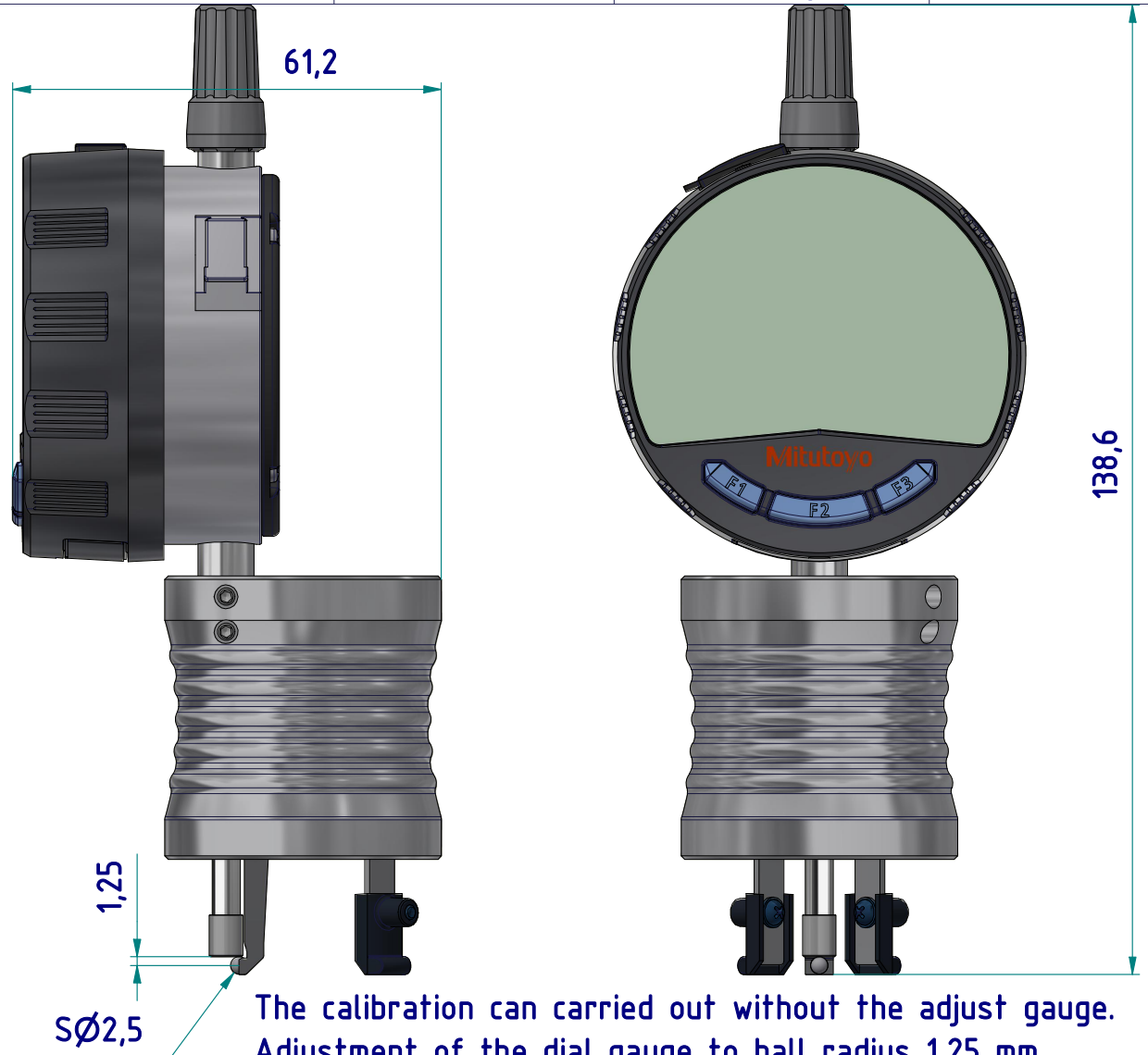
Kroepelin GmbH  
Gartenstraße 50  
D-36381 Schlüchtern

Tel.: 06661 86 0  
Fax: 06661 86 39  
Mail: sales@kroepelin.com  
Web: www.kroepelin.com

**Kroepelin**  
Längenmesstechnik

alternative calibration with  
adjust ring  
(not included in delivery)

order number: 0641-32



The calibration can be carried out without the adjust gauge.  
Adjustment of the dial gauge to ball radius 1,25 mm,

subject to technical alterations

**type:** aerosol  
**range:** 4,6 - 5,4 mm  
**range of indication:** 1,25 - 10,3 mm  
**digital step:** 0,01 mm  
**scale interval:**  
**measuring force:** 0,7 - 1,3 N  
**weight:** ca. 280 g

acceptable deviations  
VDI/VDE/DGQ 2618 Bl. 12.1/13.1)  
**max. permissible**  
**errors "G":** 0,02 mm  
**repeatability "r":** 0,02 mm  
**reference temperature:** 20° C  
**operation temperature:** 10° C - 30° C  
**storage temperature:** -10° C - 50° C

**scale:** 1:1  
**drawing-nr.:** IDW-AE2105-DB\_e  
**date of issue:** 25.11.2010  
**name:** J.Heuser  
**revision status:** 2301 (BSc)  
**revision date:** 17.05.2023

4

3

2

1

# AE2105

calibration with  
adjust gauge

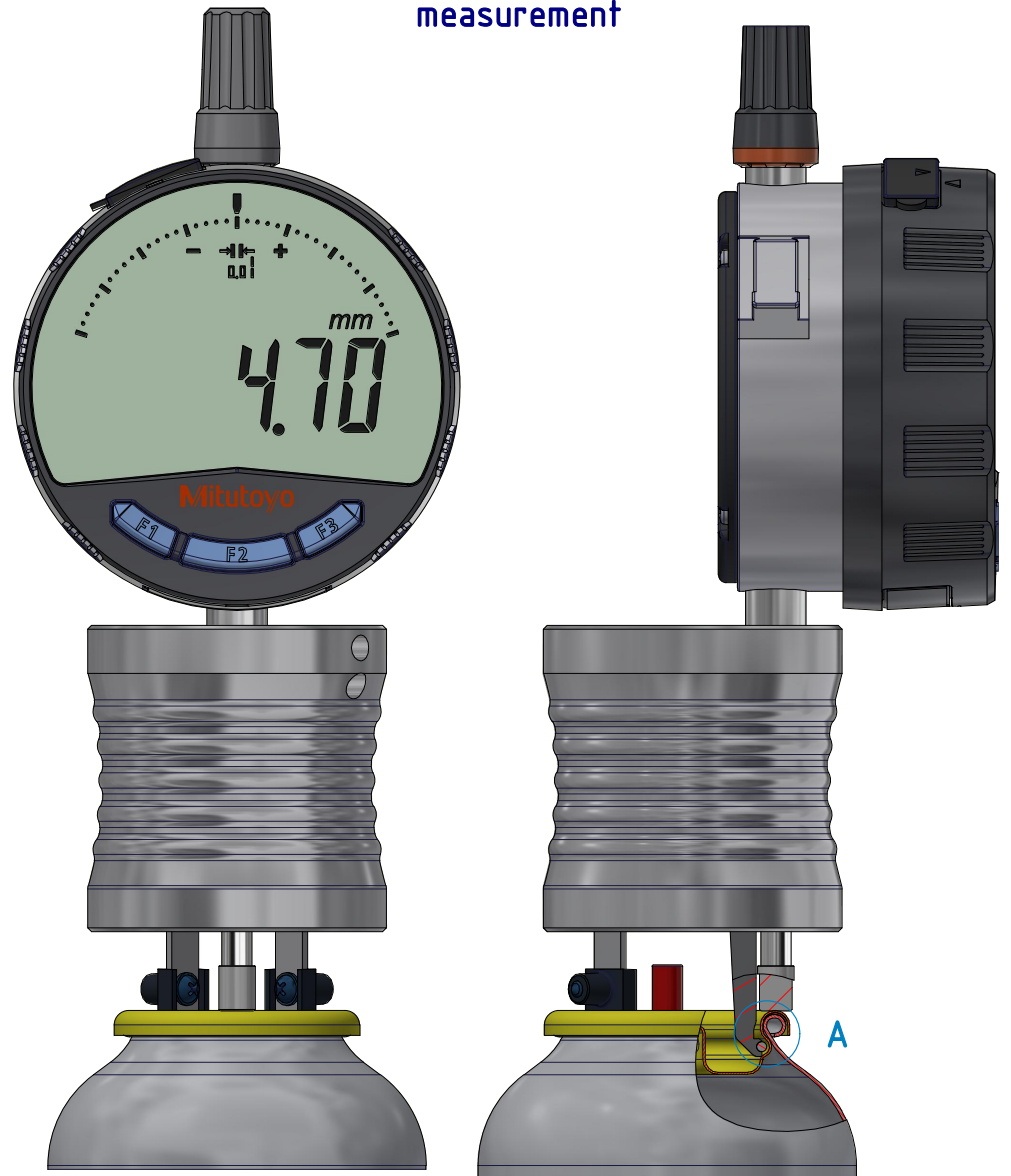
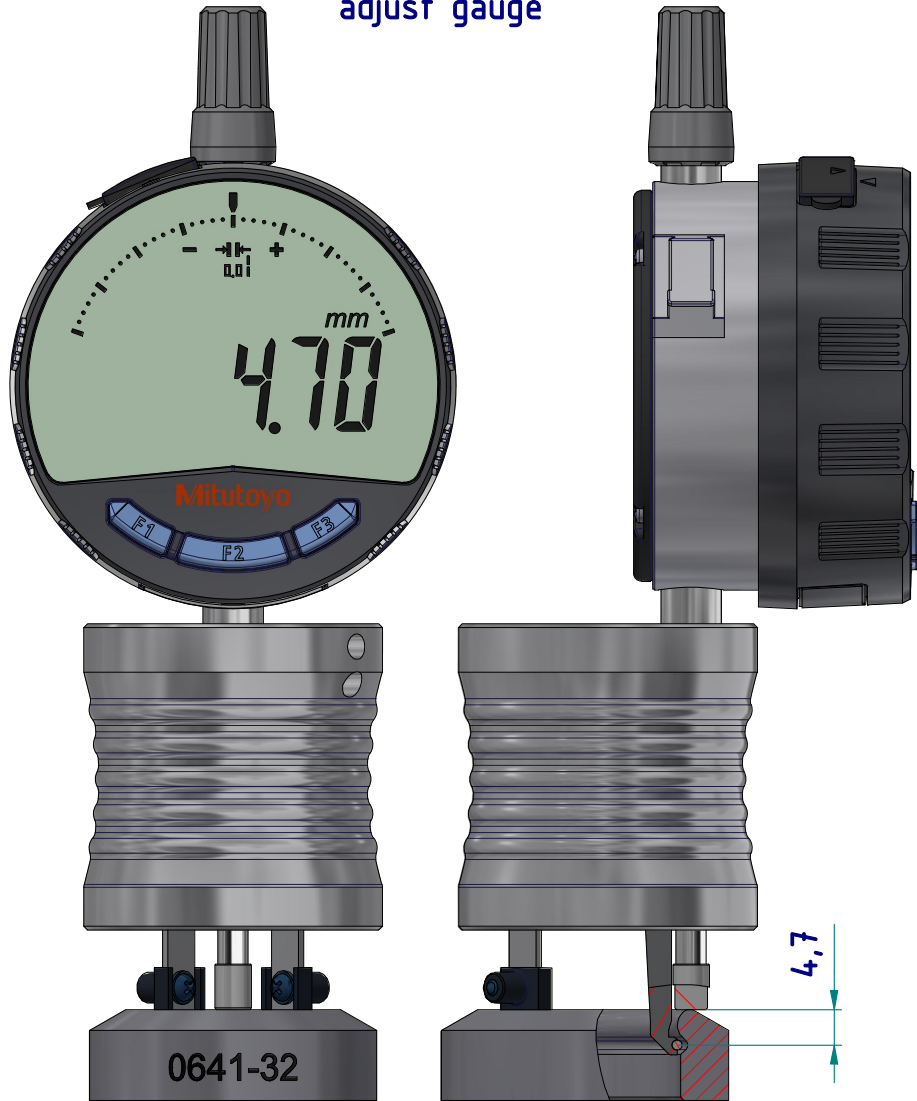
measurement

D

C

B

A



A (2:1)

