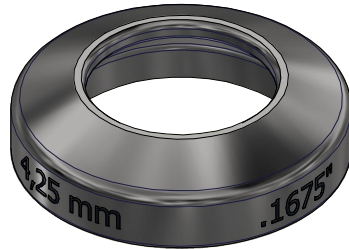
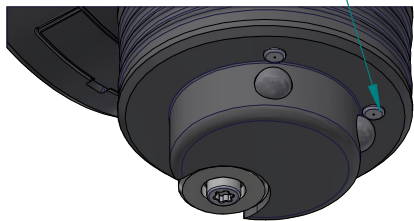


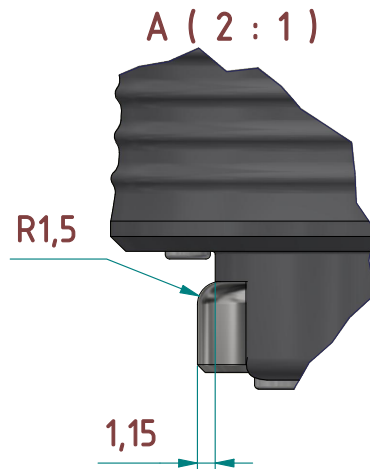
calibration with a adjusting ring 0641-31  
(included in delivery)



point of support (3x)



selective measurement  
on the hole round border  
through 3 point of support



subject to technical alterations

**type:** aerosol  
**range:** 3,5 - 5 mm (in range)  
**range of indication:** 3,1 - 10,2 mm  
**digital step:** 0,01 mm  
**scale interval:**  
**measuring force:** 3,5 - 5 N  
**weight:** ca. 350 g

acceptable deviations  
VDI/VDE/DGQ 2618 Bl. 12.1/13.1)  
**max. permissible errors "G":** 0,02 mm  
**repeatability "r":** 0,02 mm  
**reference temperature:** 20° C  
**operation temperature:** 10° C - 30° C  
**storage temperature:** -10° C - 50° C

**scale:** 1:1  
**drawing-nr.:** IDW-AE2130-DB\_e  
**date of issue:** 19.05.2015  
**name:** T.König  
**revision status:** 2301 (BSc)  
**revision date:** 17.05.2023

4

3

2

1

AE2130

calibration

measurement

D

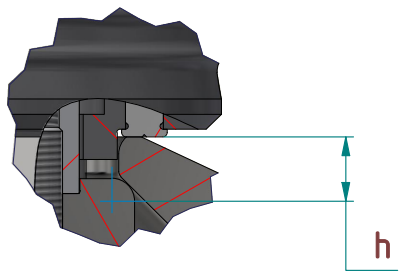
C

B

A



B ( 2 : 1 )



C ( 2 : 1 )

