

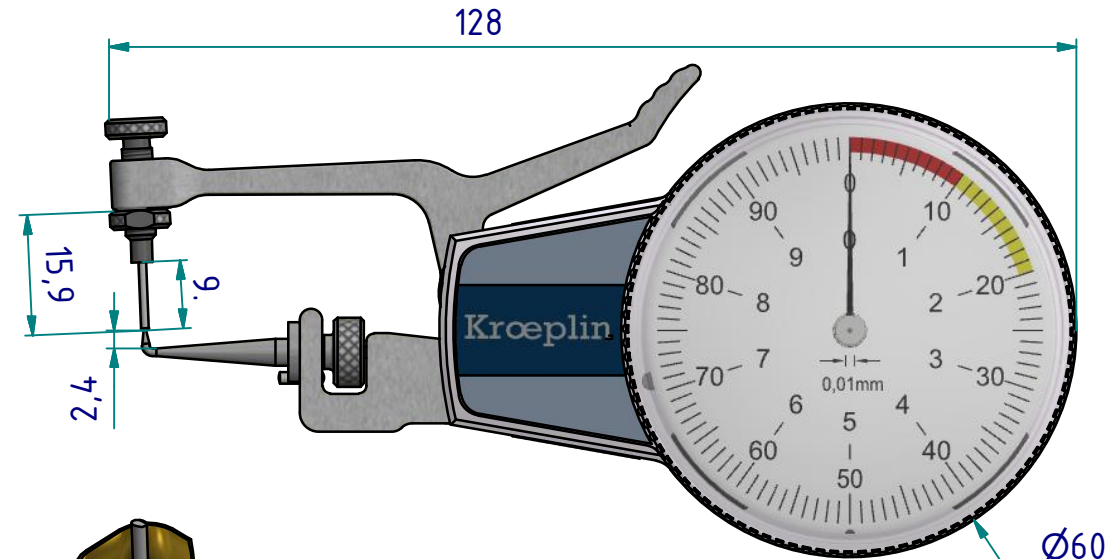
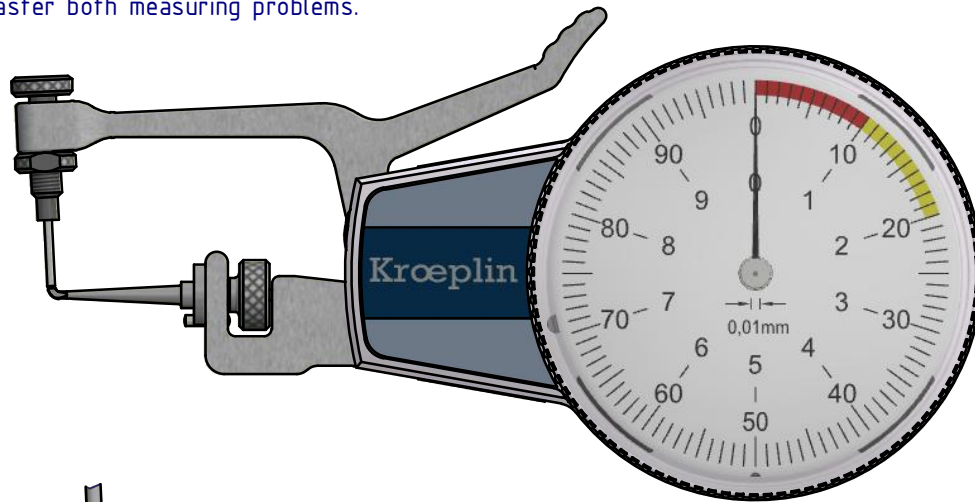
# data sheet: E110D

Kroepin GmbH  
Gartenstraße 50  
D-36381 Schlüchtern

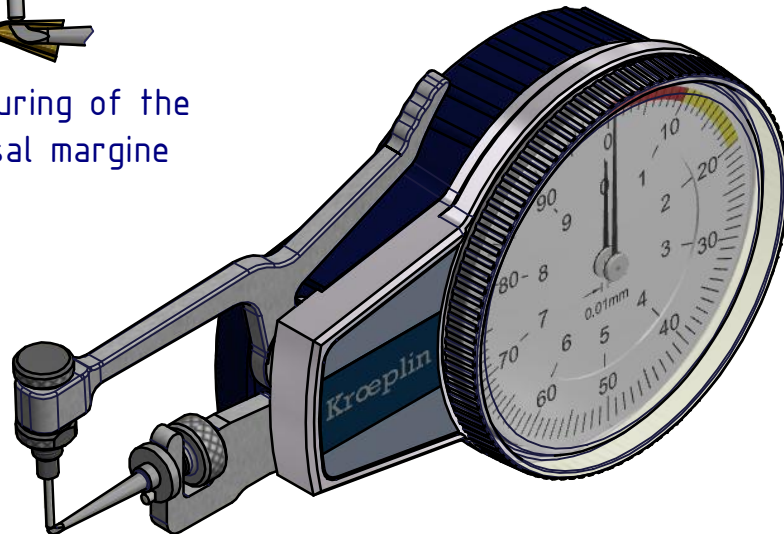
Tel.: 06661 86 0  
Fax: 06661 86 39  
Mail: sales@kroepin.com  
Web: www.kroepin.com

**Kroepin**  
Längenmesstechnik

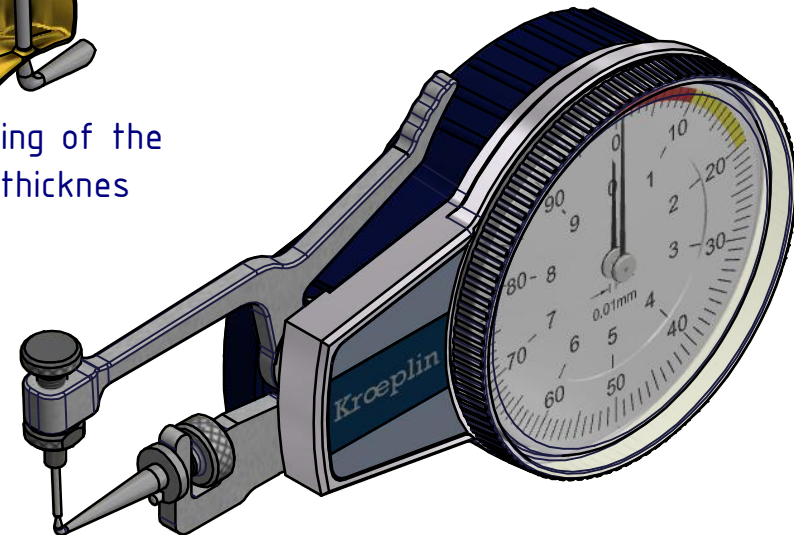
Two exchangeable caliper arms  
master both measuring problems.



measuring of the  
incisal margin



measuring of the  
wall thickness



subject to technical alterations

**type:** Dental  
**range:** 0 - 2 mm  
**range of indication:** 0 - 10,5 mm  
**digital step:**  
**scale interval:** 0,01 mm  
**measuring force:** 0,5 - 1,3 N  
**weight:** ca. 120 g

acceptable deviations  
VDI/VDE/DGQ 2618 Bl. 12.1/13.1)  
**max. permissible errors "G":** 0,03 mm  
**repeatability "r":** 0,01 mm  
**reference temperature:** 20° C  
**operation temperature:** 10° C - 30° C  
**storage temperature:** -10° C - 50° C

**scale:** 1:1  
**drawing-nr.:** IDW-E110D-DB\_e  
**date of issue:** 13.12.2010  
**name:** Buchholz  
**revision status:** 2170 / MHe  
**revision date:** 15.10.2018