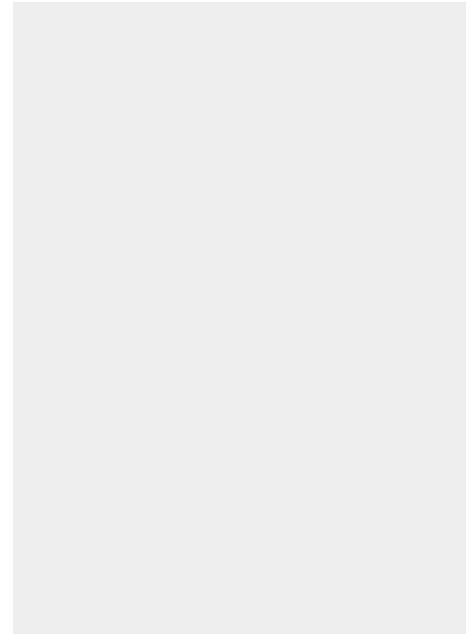
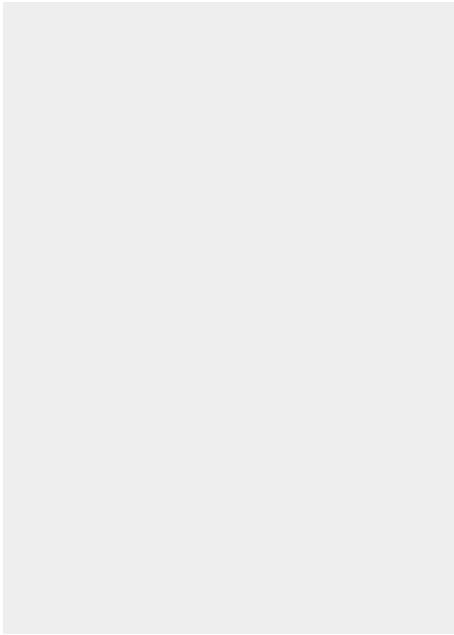


HOLLOW PUNCH 2.5 MM

5,52 € excl. tax
6,62 € incl. tax



Made in France

SKU: JLB2.5 | **Categories:** [Hollow punches Ø2 to 10](#) |

DESCRIPTION DU PRODUIT

Made of high resistance steel, the JLB model hollow punches ensure a precise cut-out of pallets and washers in soft materials : paper tape, foam, cardboard, leather, felt, cork, rubber, plastic, fabric...etc.

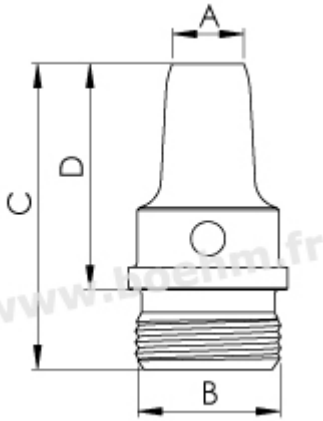
Compatibility

This hollow punch is screwed on following handles or chucks: JLBM10, JLBM20, JLBM30PA, JLBM50PA, JLBM60PA and JLBM100.

[See all our striking tools](#)

Fiche article : Hollow punch 2.5 mm - Référence : JLB2.5

Other features:



A=2.5 - B=M13 x 1 - C=27 - D=20

Fastening method: by screwing onto chuck, handle, or JLB model handle

Twinning possibilities : [see the twinning table](#)

For information on how to use these tools, please consult our [tutorials](#).



Made in France

INFORMATIONS COMPLÉMENTAIRES

Weight 0,01 kg

Diameter in mm [2.50 mm](#)

