

BRASS CAM-LOCK COUPLERS (2261-2268)

Brass cam-lock couplings for all common fluids of 2nd group.
According to MIL-C-27487 and A-A 59326 standards.
NBR gasket with the couplers.



Size : DN15 to DN100 (1/2" to 4")
Connection : Female, Male BSP and hose coupling
Min Temperature : -10°C
Max Temperature : +80°C
Max Pressure : 16 Bars
Specifications : Brass fittings
NBR gasket
Brass cam
According to MIL-C-27487 and A-A 59326

Materials : Brass

BRASS CAM-LOCK COUPLERS (2261-2268)

SPECIFICATIONS :

- Brass
- NBR gasket (only for couplers)
- According to MIL-C-27487 and A-A 59326

USE :

- For all common fluids of 2nd group
- Min and max Temperature Ts : - 10°C to + 80°C
- Max Pressure Ps : See the table thereafter

DN	1/2"	3/4"	1"	1"1/4	1"1/2	2"	2"1/2	3"	4"
Ps (Bar)	11	16	16	16	16	16	11	9	7

RANGE :

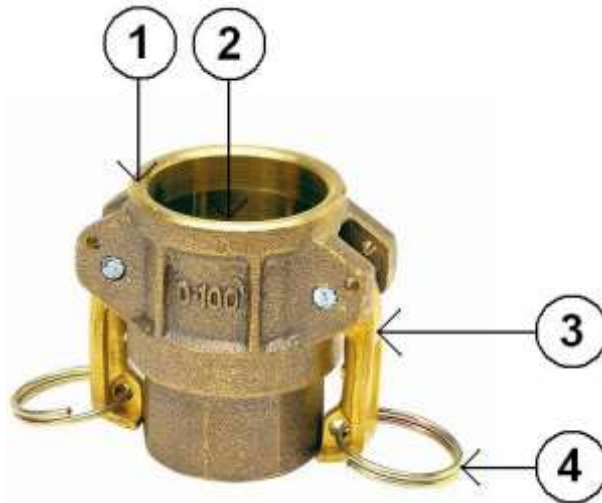
- Female adapter type A **Ref.2261** DN 1/2" to DN 4"
- Male coupler type B **Ref.2262** DN 1/2" to DN 4"
- Hose coupler type C **Ref.2263** DN 1/2" to DN 4"
- Female coupler type D **Ref.2264** DN 1/2" to DN 4"
- Hose adapter type E **Ref.2265** DN 1/2" to DN 4"
- Male adapter type F **Ref.2266** DN 1/2" to DN 4"
- Cap coupler type DC **Ref.2267** DN 1/2" to DN 4"
- Plug adapter type DP **Ref.2268** DN 1/2" to DN 4"
- **Other gasket on demand : EPDM or FKM**

TEMPERATURE AND REFERENCE FOR GASKET NBR AND EPDM :

GASKET	TEMPERATURE	1/2"	3/4"	1"	1"1/4	1"1/2	2"	2"1/2	3"	4"
NBR	From -10°C to +80°C	9830860	9830861	9830862	9830863	9830864	9830865	9830866	9830867	9830868
EPDM	From -10°C to +130°C	9830850	9830851	9830852	9830853	9830854	9830855	9830856	9830857	9830858

BRASS CAM-LOCK COUPLERS (2261-2268)

MATERIALS :



Item	Designation	Materials
1	Body	Brass
2	Gasket	NBR
3	Cam	Brass or AISI 301
4	Ring	Brass

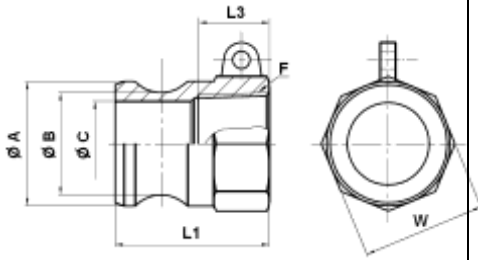
REPAIRABILITY :



*NBR gasket (Item 2)	
DN	Ref.
DN1/2"	9830860
DN3/4"	9830861
DN1"	9830862
DN1"1/4	9830863
DN1"1/2	9830864
DN2"	9830865
DN2"1/2	9830866
DN3"	9830867
DN4"	9830868

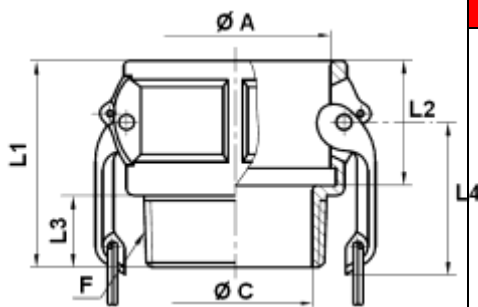
BRASS CAM-LOCK COUPLERS (2261-2268)
SIZE (in mm) :

- Female Adapter type A Ref.2261



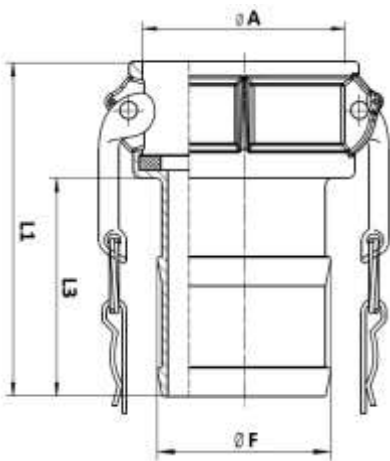
REF.	DN	1/2"	3/4"	1"	1"1/4	1"1/2	2"	2"1/2	3"	4"
2261	F	1/2"	3/4"	1"	1"1/4	1"1/2	2"	2"1/2	3"	4"
	Ø A	24	32.4	36.7	45.5	53.5	63	75.8	91.5	119.5
	Ø B	18.2	26.2	29	35.2	43.1	52.5	64.6	81	106
	Ø C	14.5	22.7	25.4	31	38.5	47.5	59	75	102.4
	L1	36.5	36.5	44.5	51	54	60.5	66	67	72
	L3	14	16	20	21	23	26	29	30	33
	W on flat	26.5	32.5	37.5	47	54.5	65	80	94	120
	Weig. (Kg)	0.08	0.11	0.15	0.21	0.3	0.42	0.81	0.77	1.29

- Male coupler type B Ref.2262



REF.	DN	1/2"	3/4"	1"	1"1/4	1"1/2	2"	2"1/2	3"	4"
2262	F	1/2"	3/4"	1"	1"1/4	1"1/2	2"	2"1/2	3"	4"
	Ø A	24.6	32.4	37.3	46	54	63.8	76.5	92.2	120.3
	Ø C	12.8	19.5	25.4	34	40	50.5	63.5	76	100
	L1	44	45	54	61	63	83	82.5	84	90
	L2	27	29	36	42	42	47.5	50	51	52
	L3	16	15	18	20	20.5	29.5	30	31	36
	L4	34	34	42	59	59	59	59	70	70
	Weig. (Kg)	0.18	0.21	0.33	0.53	0.56	0.68	1.1	1.35	2.19

- Hose coupler type C Ref.2263

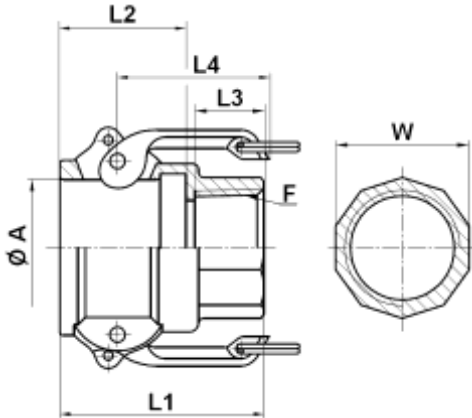


Ref.	DN	1/2"	3/4"	1"	1"1/4	1"1/2	2"	2"1/2	3"	4"
2263	Ø F	15	21	27.3	34	40.5	52.5	66	79	104
	Ø A	24.5	32.4	37.3	46	54	63.8	76.5	92.2	120.3
	L1	61.5	82	93	98	103	116	150.3	153	159
	L3	33.5	52	57	57	61	58	95.5	100	103
	Weig. (Kg)	0.17	0.24	0.37	0.56	0.61	0.78	1.22	1.48	2.95

BRASS CAM-LOCK COUPLERS (2261-2268)

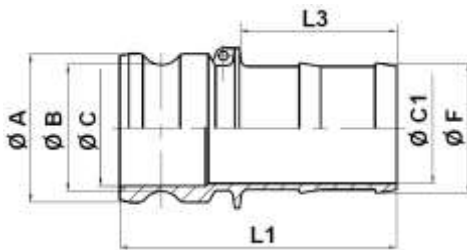
SIZE (in mm) :

- Female coupler type D Ref.2264



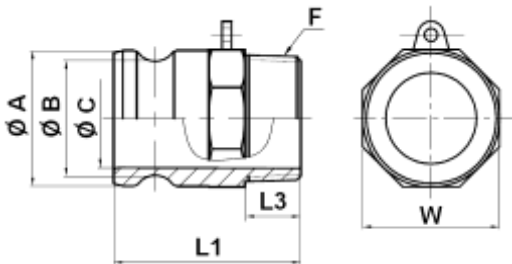
REF.	DN	1/2"	3/4"	1"	1"1/4"	1"1/2"	2"	2"1/2"	3"	4"
2264	F	1/2"	3/4"	1"	1"1/4"	1"1/2"	2"	2"1/2"	3"	4"
	Ø A	24.3	32.5	37.3	46	54	63.8	76.5	92.2	120.2
	L1	43	45	54	61	63	72	82.5	85.5	90
	L2	27	29	36	42	42	47.5	50	51	52
	L3	15	18	20	20	25	23	29	31	35
	L4	34	34	42	59	59	59	59	70	70
	W on flat	26	31	37.5	46.5	54	65	80	93.5	120
	Weig. (Kg)	0.09	0.23	0.34	0.56	0.67	0.74	0.99	1.39	2.42

- Hose adapter type E Ref.2265



REF.	DN	1/2"	3/4"	1"	1"1/4"	1"1/2"	2"	2"1/2"	3"	4"
2265	Ø F	15.1	21.5	27.3	34	40.4	53	66.7	79.3	104.7
	Ø A	24	32.4	36.7	45.5	53.5	63	75.8	91.5	119.5
	Ø B	18.2	26.2	29	35.2	43.1	52.5	64.6	81	106
	Ø C	14.5	22.7	25.4	31	38.5	47.5	59	75	102.4
	Ø C1	8.5	15	21.4	27.3	33.7	46	58.5	69.5	94
	L1	70	86	101	106	112	128	138	160	163
	L3	44	50	55	56	58	67	78	99	108
	Weig. (Kg)	0.11	0.18	0.29	0.35	0.47	0.71	1.14	1.37	2.45

- Male adapter type F Ref.2266

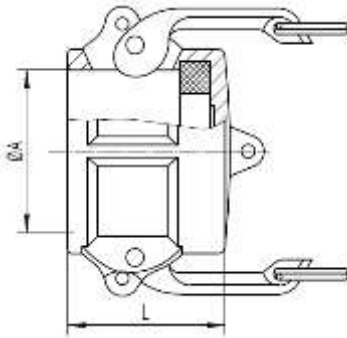


REF.	DN	1/2"	3/4"	1"	1"1/4"	1"1/2"	2"	2"1/2"	3"	4"
2266	F	1/2"	3/4"	1"	1"1/4"	1"1/2"	2"	2"1/2"	3"	4"
	Ø A	24	32.4	36.7	45.5	53.5	63	75.8	91.5	119.5
	Ø B	18.2	26.2	29	35.2	43.1	52.5	64.6	81	106
	Ø C	14.5	22.7	25.4	31	38.5	47.5	59	75.3	102.4
	L1	51.4	51.5	62	70	73.5	82.5	94	97	110
	L3	14	18	19	21	18	20	28	29	36
	W on flat	25.4	32.5	38	46	54	64	78	93	120
	Weig. (Kg)	0.09	0.14	0.2	0.29	0.36	0.57	0.9	1.21	1.94

BRASS CAM-LOCK COUPLERS (2261-2268)

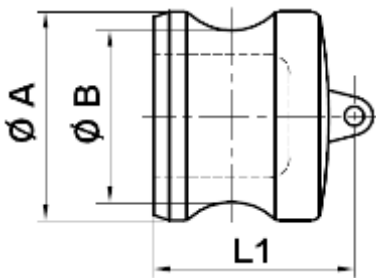
SIZE (in mm) :

- Cap coupler type DC Ref.2267



Ref.	DN	1/2"	3/4"	1"	1"1/4	1"1/2	2"	2"1/2	3"	4"
2267	Ø A	24.5	32.4	37.3	46	54	63.8	76.5	92.2	120.3
	L	28	31.5	36	41	42.5	47.5	53.5	53	56
	Weig. (Kg)	0.19	0.3	0.47	0.57	0.56	0.67	0.83	1.12	2.49

- Cap adapter type DP Ref.2268



REF.	DN	1/2"	3/4"	1"	1"1/4	1"1/2	2"	2"1/2	3"	4"
2268	Ø A	24	32.4	36.7	45.5	53.5	63	75.8	91.5	119.5
	Ø B	18.2	26.2	29	35.2	43.1	52.5	64.6	81	106
	L1	31	30.3	37.4	43	44.2	49.6	53.3	56.3	58
	Weig. (Kg)	0.06	0.1	0.16	0.24	0.32	0.44	0.57	0.77	1.33

STANDARDS :

- Manufacturer certified ISO 9001 : 2015
- Directive 2014/68/EU : Products excluded from directive (Article 4, § 3)
- Designing according to MIL-C-27487 and A-A 59326
- Threaded female BSP cylindrical according to ISO 228-1 and male BSP conical according to ISO 7-1 R