

## STAINLESS STEEL CAM-LOCK COUPLERS ( 2241-2248 )

Stainless steel cam-lock couplings for all common fluids of 2<sup>nd</sup> group.  
According to MIL-C-27487 and A-A 59326 standards.  
NBR gasket with the couplers.



**Size :** DN15 to DN100 (1/2" to 4")  
**Connection :** Female, Male BSP and hose coupling  
**Min Temperature :** -10°C  
**Max Temperature :** +80°C  
**Max Pressure :** 16 Bars  
**Specifications :** Stainless steel fittings  
NBR gasket  
Stainless steel cam  
According to MIL-C-27487 and A-A 59326

**Materials :** Stainless steel ASTM A351 CF8M

## STAINLESS STEEL CAM-LOCK COUPLERS ( 2241-2248 )

**SPECIFICATIONS :**

- Stainless steel fittings
- NBR gasket ( only for couplers )
- According to MIL-C-27487 and A-A 59326

**USE :**

- For all common fluids of 2<sup>nd</sup> group
- Min and max Temperature Ts : - 10°C to + 80°C
- Max Pressure Ps : See the table thereafter

DN	1/2"	3/4"	1"	1"1/4	1"1/2	2"	2"1/2	3"	4"
<b>Ps ( Bar )</b>	11	18	18	18	18	18	16	14	14

**RANGE :**

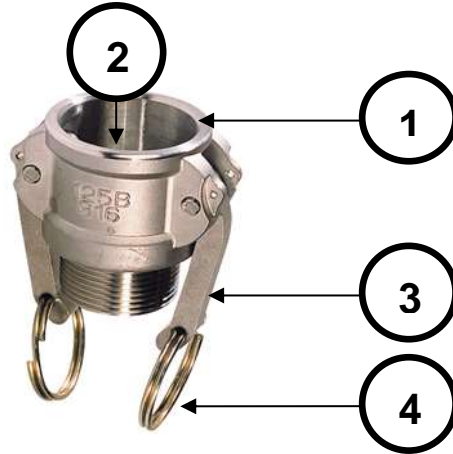
- Female adapter type A **Ref.2241** DN 1/2" to DN 4"
- Male coupler type B **Ref.2242** DN 1/2" to DN 4"
- Hose coupler type C **Ref.2243** DN 1/2" to DN 4"
- Female coupler type D **Ref.2244** DN 1/2" to DN 4"
- Hose adapter type E **Ref.2245** DN 1/2" to DN 4"
- Male adapter type F **Ref.2246** DN 1/2" to DN 4"
- Cap coupler type DC **Ref.2247** DN 1/2" to DN 4"
- Plug adapter type DP **Ref.2248** DN 1/2" to DN 4"
- **Other gasket on demand : EPDM , FKM and FKM+PTFE**

**TEMPERATURE AND REFERENCE FOR GASKET NBR, EPDM, FKM AND FKM+PTFE :**

GASKET	TEMPERATURE	1/2"	3/4"	1"	1"1/4	1"1/2	2"	2"1/2	3"	4"
<b>NBR</b>	<b>From -10°C to +80°C</b>	<b>9830860</b>	<b>9830861</b>	<b>9830862</b>	<b>9830863</b>	<b>9830864</b>	<b>9830865</b>	<b>9830866</b>	<b>9830867</b>	<b>9830868</b>
<b>EPDM</b>	<b>From -10°C to +130°C</b>	<b>9830850</b>	<b>9830851</b>	<b>9830852</b>	<b>9830853</b>	<b>9830854</b>	<b>9830855</b>	<b>9830856</b>	<b>9830857</b>	<b>9830858</b>
<b>FKM</b>	<b>From -10°C to +180°C</b>	<b>9830870</b>	<b>9830871</b>	<b>9830872</b>	<b>9830873</b>	<b>9830874</b>	<b>9830875</b>	<b>9830876</b>	<b>9830877</b>	<b>9830878</b>

**STAINLESS STEEL CAM-LOCK COUPLERS ( 2241-2248 )**

**MATERIALS :**



Item	Designation	Materials
1	Body	ASTM A351 CF8M
2	Gasket	NBR
3	Cam	ASTM A351 CF8M
4	Ring	

**REPAIRABILITY :**

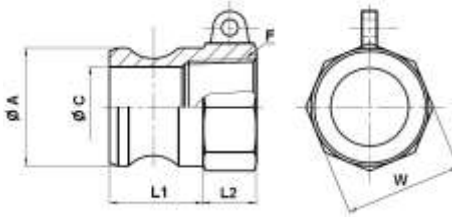


*Gasket (Item 2)			
DN	Ref. NBR	Ref. EPDM	Ref. FKM
DN1/2"	9830860	9830850	9830870
DN3/4"	9830861	9830851	9830871
DN1"	9830862	9830852	9830872
DN1"1/4	9830863	9830853	9830873
DN1"1/2	9830864	9830854	9830874
DN2"	9830865	9830855	9830875
DN2"1/2	9830866	9830856	9830876
DN3"	9830867	9830857	9830877
DN4"	9830868	9830858	9830878

**STAINLESS STEEL CAM-LOCK COUPLERS ( 2241-2248 )**

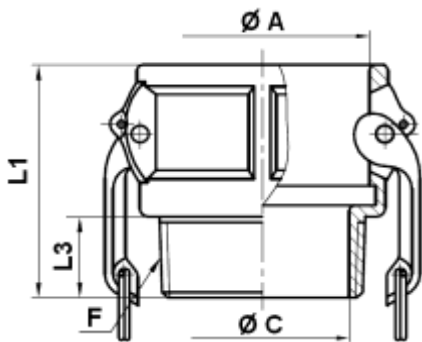
**SIZE ( in mm ) :**

- Female adapter type A Ref.2241



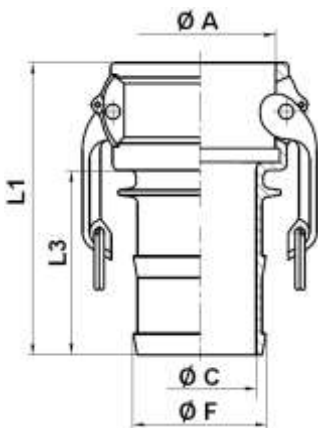
REF.	DN	1/2"	3/4"	1"	1"1/4	1"1/2	2"	2"1/2	3"	4"
2241	F	1/2"	3/4"	1"	1"1/4	1"1/2	2"	2"1/2	3"	4"
	Ø A	24	32.4	36.7	45.5	53.5	63	75.8	91.5	119.5
	Ø C	14.17	21.9	24.6	30.2	38	46.85	58.4	75	102.4
	L1	25.4	25.5	33.5	39	41	47.5	49	50	52
	L2	14.6	11	12	12	13	13	16	18	21
	W on flat	26	32.5	38	47	54.5	65	80	94	120
	Weig. (Kg)	0.067	0.116	0.159	0.208	0.287	0.432	0.757	0.726	1.290

- Male coupler type B Ref.2242



REF.	DN	1/2"	3/4"	1"	1"1/4	1"1/2	2"	2"1/2	3"	4"
2242	F	1/2"	3/4"	1"	1"1/4	1"1/2	2"	2"1/2	3"	4"
	Ø A	24.3	32.5	37.3	46	54	63.8	76.5	92.2	120.2
	Ø C	13	19.5	25.4	33.8	40	51	62	76	100
	L1	44	47	55.5	61	63	72	81	84	91
	L3	15	15.5	19.5	20	20.5	24	29.5	31	36
	Weig. (Kg)	0.163	0.202	0.285	0.457	0.496	0.622	0.949	1.343	1.877

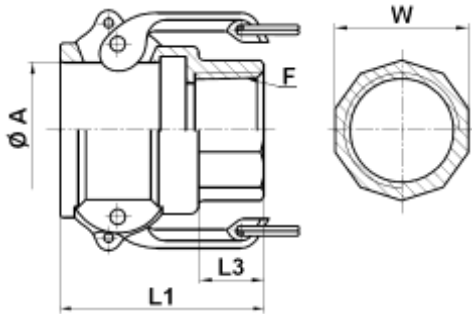
- Hose coupler type C Ref.2243



REF.	DN	1/2"	3/4"	1"	1"1/4	1"1/2	2"	2"1/2	3"	4"
2243	Ø F	15	21	27.3	34	40.4	53	66.7	79	104.5
	Ø A	24.3	32.5	37.3	46	54	63.8	76.5	92.2	120.2
	Ø C	8.2	14.2	20.6	26.6	33	44.5	57.5	69	93
	L1	64	81.5	93	98	103.5	117	130.5	151	159
	L3	35	50	57	57	61	69	79	98	104
	Weig. (Kg)	0.195	0.232	0.315	0.515	0.583	0.690	1.231	1.863	2.507

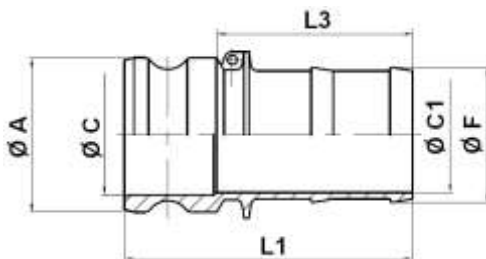
**STAINLESS STEEL CAM-LOCK COUPLERS ( 2241-2248 )**
**SIZE ( in mm ) :**

- Female coupler type D Ref.2244



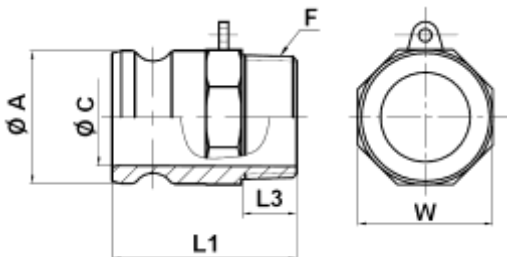
REF.	DN	1/2"	3/4"	1"	1"1/4"	1"1/2"	2"	2"1/2"	3"	4"
2244	F	1/2"	3/4"	1"	1"1/4"	1"1/2"	2"	2"1/2"	3"	4"
	Ø A	24.3	32.5	37.3	46	54	63.8	76.5	92.2	120.2
	L1	43.5	46	54	61	63	72	80.5	84	89
	L3	14.5	14.5	18	20	20.5	24	29	31	34
	W on flat	26	31	38	47	54	65	80	93.5	120
	Weig. (Kg)	0.188	0.239	0.315	0.463	0.532	0.661	0.892	1.354	2.003

- Hose adapter type E Ref.2245



REF.	DN	1/2"	3/4"	1"	1"1/4"	1"1/2"	2"	2"1/2"	3"	4"
2245	Ø F	15	21	27.3	34	40.4	53	66.7	79	104.5
	Ø A	24	32.4	36.7	45.5	53.5	63	75.8	91.5	119.5
	Ø C	14.17	21.9	24.6	30.2	38	46.85	58.4	75	102.4
	Ø C1	8.2	14.2	20.6	26.5	33	44	57	69	93
	L1	68.5	86.5	99	104	111	128	140	160	166
	L3	45	63.1	68	71.4	77	88	98	118	123
	Weig. (Kg)	0.111	0.165	0.268	0.375	0.527	0.683	1.216	1.766	2.443

- Male adapter type F Ref.2246

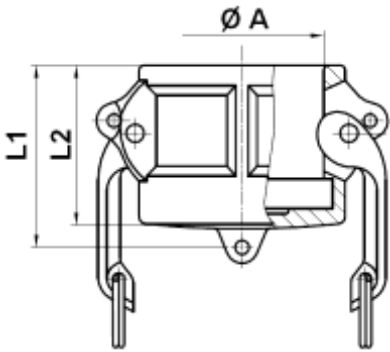


REF.	DN	1/2"	3/4"	1"	1"1/4"	1"1/2"	2"	2"1/2"	3"	4"
2246	F	1/2"	3/4"	1"	1"1/4"	1"1/2"	2"	2"1/2"	3"	4"
	Ø A	24	32.4	36.7	45.5	53.5	63	75.8	91.5	119.5
	Ø C	14.17	21.9	24.6	30.2	38	46.85	58.4	75	102.4
	L1	50.4	51.5	63	71	73.5	84.5	95	98	108
	L3	15	16	18.5	21	20.5	24	30	31	36
	W on flat	26.4	32.5	38	47	54.5	65	78	94	120
	Weig. (Kg)	0.086	0.176	0.249	0.250	0.382	0.522	1.049	1.170	2.193

**STAINLESS STEEL CAM-LOCK COUPLERS ( 2241-2248 )**

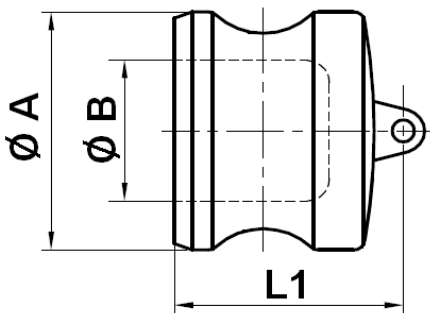
**SIZE ( in mm ) :**

- Cap coupler type DC Ref.2247



REF.	DN	1/2"	3/4"	1"	1"1/4"	1"1/2"	2"	2"1/2"	3"	4"
2247	Ø A	24.3	32.5	37.3	46	54	63.8	76.5	92.2	120.2
	L1	34	36.5	41.7	47.6	51	54	58	62.5	65
	L2	29	31.5	36	41	42.5	48	51.5	53	55
	Weig. (Kg)	0.156	0.183	0.260	0.415	0.456	0.69	0.847	1.195	1.924

- Cap adapter type DP Ref.2248



REF.	DN	1/2"	3/4"	1"	1"1/4"	1"1/2"	2"	2"1/2"	3"	4"
2248	Ø A	24	32.4	36.7	45.5	53.5	63	75.8	91.5	119.5
	Ø B	14.17	21.9	24.6	30.2	38	46.85	58.4	75	102.4
	L1	31	30	37.4	43	44.2	48	53.5	56.5	58
	Weig. (Kg)	0.089	0.084	0.142	0.236	0.299	0.443	0.679	0.959	1.514

**STANDARDS :**

- Manufacturer certified ISO 9001 : 2015
- Directive 2014/68/EU : Products excluded from directive (Article 4, § 3)
- Designing according to MIL-C-27487 and A-A 59326
- Threaded female BSP cylindrical according to ISO 228-1 and male BSP conical according to ISO 7-1 R