



Battery regulators type 490 - G^{1/4} – G¹



490.223

490.223D

Cover in individual color available upon request (standard: grey)!

Note: Gauge (self-sealing) added loosely

This type of regulator is equipped with a continuous pressure supply. The pressure inlet can be selected on left or right side, so it can be used for "battery mounting". The attached regulators offer independent and different pressure adjustments because the supply pressure is existing on both sides of the unit (connection no. 1). The working pressure p_2 (secondary pressure), which is kept almost constant, regardless of pressure fluctuations (inlet pressure p_1) in the system and air consumption, is available on the backside connection (connection no. 2).

The regulator (diaphragm type) is fitted with a secondary exhaust (self-relieving) to reduce the working pressure without air extraction. Contamination and damage can be avoided if a filter model 482 is installed. We recommend to use the units G^{3/8} or G^{3/4} as they have the higher flow capacity.

Important: Use of filter always recommended.

Standard versions:

Control range (p_2) 0,5-10 bar, with gauge

Size	Order No.				
	Connection threads				
	G ^{1/4}	G ^{3/8}	G ^{1/2}	G ^{3/4}	G ¹ **
I	490.223	490.233	-	-	-
II	-	-	490.263	490.283	490.293

Order key for all variants:

490.xxxx

A – lockable, with padlock
D – gauge with color code 0 -16bar

additional options

2 – 0,5- 6 bar
3 – 0,5-10 bar
4 – 0,5-16 bar

control range (p_2)

2 – G^{1/4}
3 – G^{3/8}
6 – G^{1/2}
8 – G^{3/4}
9 – G¹**

size I

size II

connection threads

2 – with gauge
4 – without gauge

for example:

490.233 – without gauge = 490.433

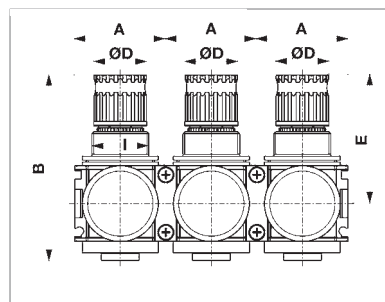


480-92

481-17

Spare parts

		Order No.	
		size I	size II
Gauge horizontal, Display ranges:	0 - 10 bar (for p_2 up to 6 bar)	723	55
	0 - 16 bar (for p_2 up to 10 bar)	734	85
	0 - 25 bar (for p_2 up to 16 bar)	745	96
Plug with female hexagon screw Connection threads:	G ^{1/4}	280-127	280-127
	G ^{3/8}	447-28	-
	G ^{1/2}	-	424-67
Diaphragm complete with slip ring		480-92	480-263
Seal cone complete		481-17	480-218



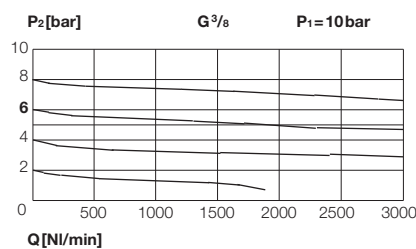
Technical data

	Size I		Size II		
	G ^{1/4}	G ^{3/8}	G ^{1/2}	G ^{3/4}	G ¹ **
Connection 1	G ^{1/4}	G ^{3/8}	G ^{1/2}	G ^{3/4}	G ¹ **
Connection 2	G ^{1/4}	G ^{1/4}	G ^{1/2}	G ^{3/4}	G ^{3/4}
Nominal rates of flow (NI/min)*	1.800	1.800	5.800	6.800	6.800
Max. operating pressure (p_1)	25 bar				
Max. secondary pressure (p_2)	10 bar (opt. 6, 16 bar)				
Max. operating temperature	+80°C				
Material	- housing: zinc alloy - seals: NBR				
Weight (without gauge)	390g	390g	950g	950g	1.410g

* Measured at 10 bar pre-pressure (p_1), 6 bar secondary pressure (p_2) and $\Delta p = 1$ bar acc. to DIN ISO 6953

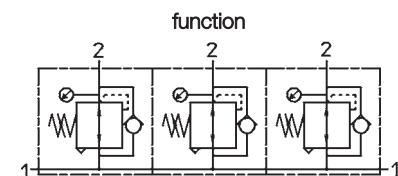
** Inlet and outlet only with mounting plates set G1 (included, see page 70)

Rates of flow



Dimensions [mm]

Size	I	II	
Connection thread	G ^{1/4} , G ^{3/8}	G ^{1/2} , G ^{3/4}	G ¹ **
A	48	70	125
B	98	134	134
C	48	70	70
D (ø)	28	39	39
E	68	98	98
F	24	35	35
I	M30x1,5	M42x1,5	M42x1,5
M	84	106	106
N (ø)	40	50	50
V	G ^{1/4}	G ^{1/2} + G ^{3/4}	G ^{3/4}



Fixing and assembling options see page 70 seq.