

## Lubricators type 483 - G<sup>1/4</sup> – G 1

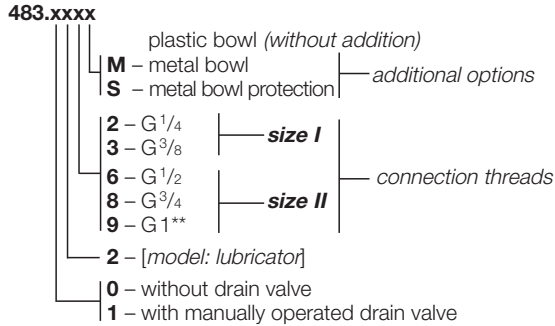
Lubricators add a fine oil fog to the compressed air, this effecting a constant and reliable lubrication of pneumatically controlled compressed air tools, valves and cylinders etc... Refilling oil while under pressure is possible. Needle valve for oil adjustment with high drop constancy for long periods of time. Also available with metal sight dome.

### Standard versions:

With plastic bowl, without drain valve

Size	Order No.				
	Connection threads				
	G <sup>1/4</sup>	G <sup>3/8</sup>	G <sup>1/2</sup>	G <sup>3/4</sup>	G 1**
I	483.022	483.023	-	-	-
II	-	-	483.026	483.028	483.029

### Order key for all variants:



for example:

483.022 – with manually operated drain valve = 483.122



Cover in individual color available upon request (standard: grey)!

### Spare parts and accessories

	Order No.	
	size I	size II
Metal bowl without drain valve	483-10	483-113
Metal bowl with manually operated drain valve	480-28	480-213
Metal bowl protection	480-25	480-216
Plastic bowl with bowl protection, without drain valve	483-24	483-126
Plastic bowl without drain valve	483-7	483-110
Oil regulating valve, metal	483-21	423-65
Oil regulating valve, plastic	483-6	423-179
Regulation insert	483-3	-



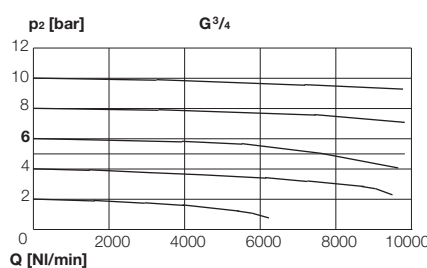
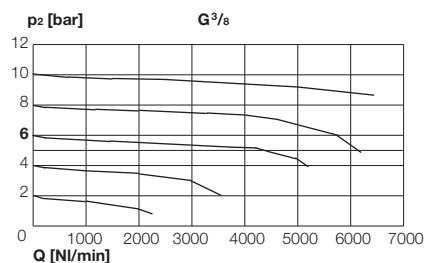
### Technical data

	Size I		Size II		
	G <sup>1/4</sup>	G <sup>3/8</sup>	G <sup>1/2</sup>	G <sup>3/4</sup>	G 1**
Connection threads	G <sup>1/4</sup>	G <sup>3/8</sup>	G <sup>1/2</sup>	G <sup>3/4</sup>	G 1**
Nominal rates of flow (NI/min)*	3400	4400	4600	7500	7500
Max. operating pressure (p <sub>1</sub> )	16 bar/20 bar with metal bowl				
Max. operating temperature	50 °C (80 °C with metal bowl and oil regulating valve)				
Effective bowl volume	50 cm <sup>3</sup>		125 cm <sup>3</sup>		
Lubricator function	ab 50 l/min		ab 150 l/min		
Sort of oil	nach DIN 51524 - ISOVG 32				
Material	- housing	zinc alloy			
	- bowl	polycarbonate			
	- seals	NBR			
Weight	300g	800g	800g	800g	1260g

\* Measured at 6 bar pre-pressure (p<sub>1</sub>) and Δp = 1 bar acc. to DIN ISO 6953

\*\* Inlet and outlet only with mounting plates set G1 (included, see page 70)

### Rates of flow

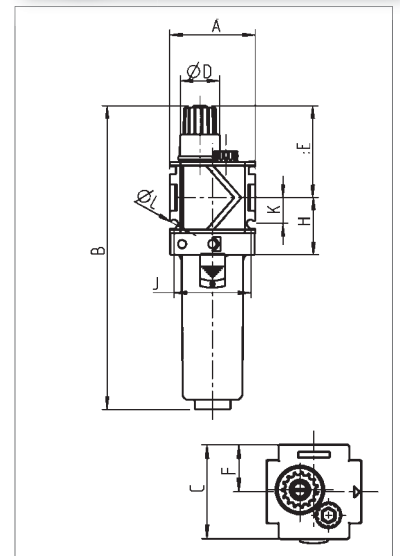


**Recommended oil:** Oil containers made of plastic (polycarbonate) are attached by oil additives, anti-frost or synthetic oils. We therefore recommend normal lubricating oils of approx. **22 up to 32 cSt** at 40 °C (in the case of percussive tools - such as impact wrench - **up to 68 cSt**). Metal containers should be used for other oils, especially for low-temperature oils. Also recommended is a metal lubricator adjusting cap.

### ewo Compressed air special oil

Oils see chapter 11

Container	Order No.
Volume 1 liter	583
Volume 5 liter	583.1



### Dimensions [mm]

Size	I	II	
Connection thread	G <sup>1/4</sup> , G <sup>3/8</sup>	G <sup>1/2</sup> , G <sup>3/4</sup>	G 1**
A	48	70	125
B	171	224	224
C	48	70	70
D (ø)	22	22	22
E	52	57	57
F	24	35	35
H	32	44	44
J	43	62	62
K	14,5	18	18
L (ø)	4,4	5,4	5,4



Fixing and assembling options see page 70 seq.