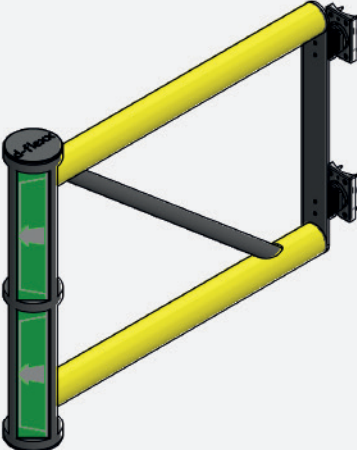
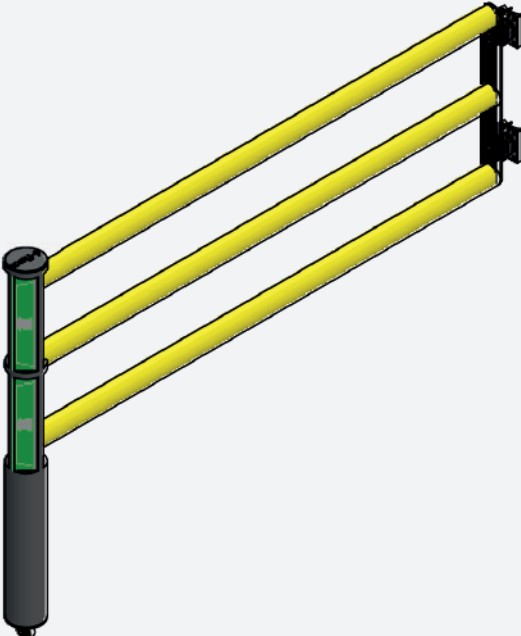




Swingdoor - JULIET



DFJU-DA800-A
DFJU-DA1000-A
DFJU-DA1200-A



DFJU-DA1500-A
DFJU-DA1750-A
DFJU-DA2000-A

Table of contents

Art. No.	Description	Width	Weight	Page
DFJU-DA800-A	Swingdoor	800 mm	6,53 kg	3
DFJU-DA1000-A	Swingdoor	1000 mm	6,69 kg	3
DFJU-DA1200-A	Swingdoor	1200 mm	7,54 kg	4
DFJU-DA1500-A	Swingdoor with wheel	1500 mm	9,28 kg	4
DFJU-DA1750-A	Swingdoor with wheel	1750 mm	9,76 kg	5
DFJU-DA2000-A	Swingdoor with wheel	2000 mm	10,26 kg	5

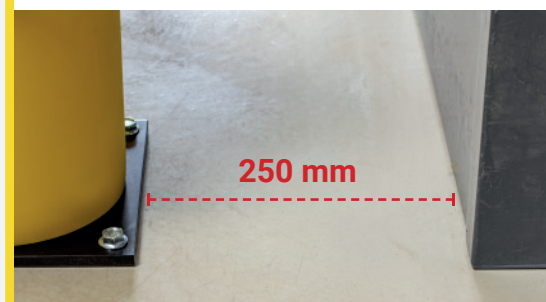
Technical Information

Material properties

Operational temperature range	-40° up to + 50°
Ignition Temperature	350 - 360°C
Flash Point	350 - 360°C
Toxicity	Nontoxic
Chemical Resistance	high - ISO/TR 10358
Hygiene Seals	Non
Standard Warranty	5 years

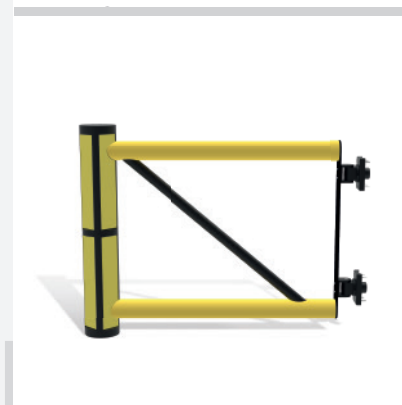
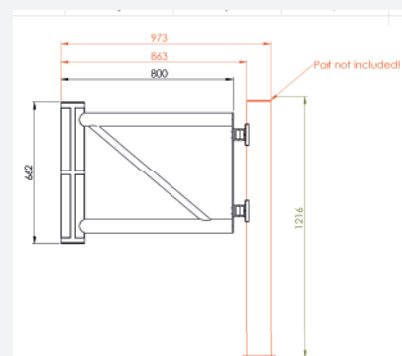
Deflection Zone:

I 250 mm



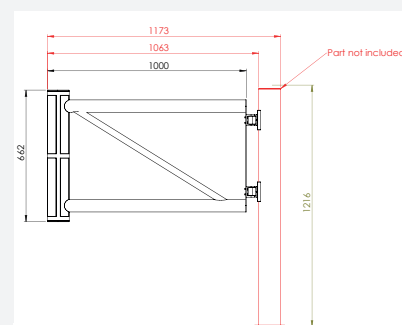
DFJU-DA800-A

Article description	Swingdoor
Item number	DFJU-DA800-A
EAN	4250912396630
Customs tariff number	39269097
Width (mm)	800
Height (mm)	662
Depth/Length (mm)	805
Installation width (mm)	863
Width without foot plate (mm):	N/A
Depth without foot plate (mm):	N/A
Deflection zone (mm)	see posts
Tested to withstand force (Joule):	N/A
Net weight	6,53 kg
Material	Polyethylene
Color	Yellow RAL 1018 - black
Area of application	Indoor and outdoor use
Fixing	Fixing Material included.



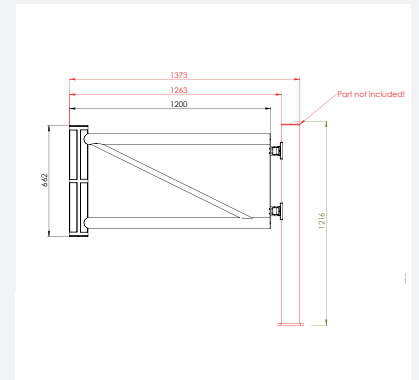
DFJU-DA1000-A

Article description	Swingdoor
Item number	DFJU-DA1000-A
EAN	4250912396647
Customs tariff number	39269097
Width (mm)	1000
Height (mm)	662
Depth/Length (mm)	1000
Installation width (mm)	1063
Width without foot plate (mm):	N/A
Depth without foot plate (mm):	N/A
Deflection zone (mm)	see Posts
Tested to withstand force (Joule):	N/A
Net weight	6,69 kg
Material	Polyethylene
Color	Yellow RAL 1018 - black
Area of application	Indoor and outdoor use
Fixing	Fixing Material included.



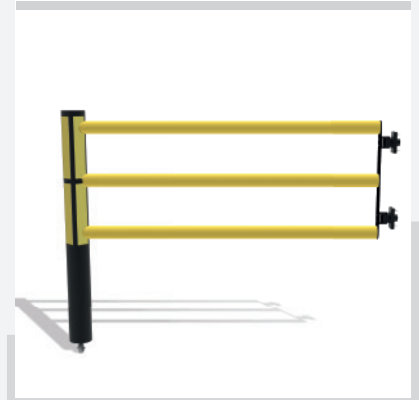
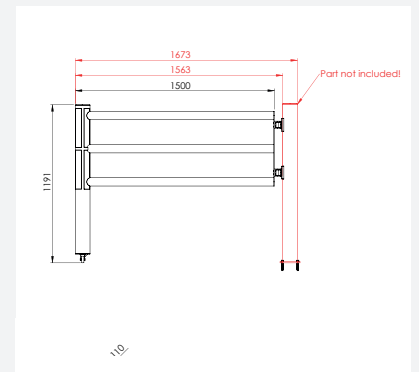
DFJU-DA1200-A

Article description	Swingdoor
Item number	DFJU-DA1200-A
EAN	4250912396654
Customs tariff number	39269097
Width (mm)	1200
Height (mm)	662
Depth/Length (mm)	1205
Installation width (mm)	1263
Width without foot plate (mm):	N/A
Depth without foot plate (mm):	N/A
Deflection zone (mm)	see posts
Tested to withstand force (Joule):	N/A
Net weight	7,54 kg
Material	Polyethylene
Color	Yellow RAL 1018 - black
Area of application	Indoor and outdoor use
Fixing	Fixing Material included.



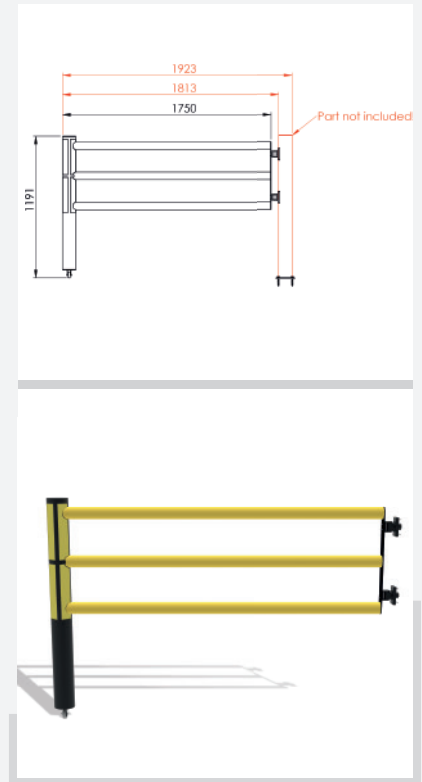
DFJU-DA1500-A

Article description	Swingdoor with wheel
Item number	DFJU-DA1500-A
EAN	4250912396661
Customs tariff number	39269097
Width (mm)	1500
Height (mm)	662
Depth/Length (mm)	1500
Installation width (mm)	1563
Width without foot plate (mm):	N/A
Depth without foot plate (mm):	N/A
Deflection zone (mm)	see Posts
Tested to withstand force (Joule):	N/A
Net weight	9,28 kg
Material	Polyethylene
Color	Yellow RAL 1018 - black
Area of application	Indoor and outdoor use
Fixing	Fixing Material included.



DFJU-DA1750-A

Article description	Swingdoor with wheel
Item number	DFJU-DA1750-A
EAN	4250912396739
Customs tariff number	39269097
Width (mm)	1750
Height (mm)	662
Depth/Length (mm)	1755
Installation width (mm)	1813
Width without foot plate (mm):	N/A
Depth without foot plate (mm):	N/A
Deflection zone (mm)	see posts
Tested to withstand force (Joule):	N/A
Net weight	9,76 kg
Material	Polyethylene
Color	Yellow RAL 1018 - black
Area of application	Indoor and outdoor use
Fixing	Fixing Material included.



DFJU-DA2000-A

Article description	Swingdoor with wheel
Item number	DFJU-DA2000-A
EAN	4250912396661
Customs tariff number	39269097
Width (mm)	2000
Height (mm)	662
Depth/Length (mm)	2000
Installation width (mm)	2063
Width without foot plate (mm):	N/A
Depth without foot plate (mm):	N/A
Deflection zone (mm)	see Posts
Tested to withstand force (Joule):	N/A
Net weight	10,26 kg
Material	Polyethylene
Color	Yellow RAL 1018 - black
Area of application	Indoor and outdoor use
Fixing	Fixing Material included.

