

TWG | MANUAL TORQUE MULTIPLIERS

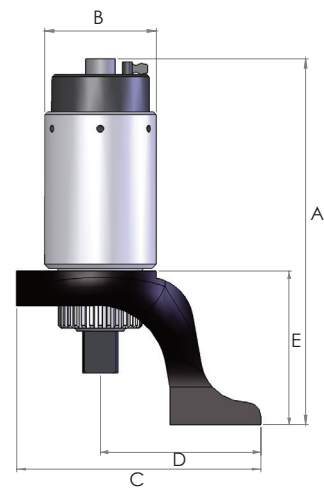


Torque capacities up to 10000 Nm

Lightweight aluminium housing

Supplied complete with reaction arm

- ▶ Choice of output square drives of 3/4", 1" and 1 1/2"
- ▶ Suitable for use with Hi-Force TWM range of hand torque wrenches listed on page 80
- ▶ Compact design for easy fitment
- ▶ Single stage planetary gear in models up to 2800 Nm
- ▶ Overload safety mechanism on models TWG40, TWG60, TWG100
- ▶ Multiplication ratios from 4:1 to 28.5:1



Model number	Torque capacity		Gearbox ratio	Input square drive	Output square drive	Overload Protection	Rec. torque wrench	Weight (kg)	Dimensions (mm)				
	Nm	lbf.ft							A	B	C	D	E
TWG13	1300	950	5:1	1/2"	3/4"	No	TWM300	1.3	133	80	124	96	98
TWG20	2000	1500	4:1	3/4"	1"	No	TWM550	1.8	131	88	190	150	80
TWG28	2800	2050	5.5:1	3/4"	1"	No	TWM550	2.4	146	106	221	159	83
TWG40	4000	2930	16:1	1/2"	1"	Yes	TWM300	4.2	227	88	175	135	110
TWG60	6000	4400	18:1	3/4"	1 1/2"	Yes	TWM400	6.6	256	102	240	190	145
TWG100	10000	7330	28.5:1	3/4"	1 1/2"	Yes	TWM400	10.9	292	142	267	215	163