

**TWP | PISTOL GRIP PNEUMATIC TORQUE MULTIPLIERS**

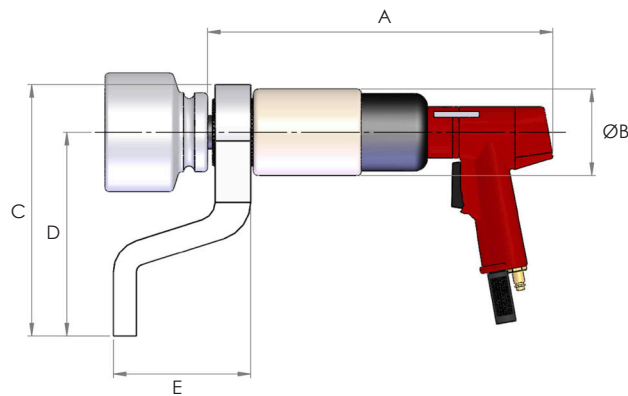


**Torque capacities up to 6000 Nm**

**Repeatable accuracy of +/- 5%**

**Lightweight and durable construction**

- ▶ Air driven, single stage torque multipliers offering torque capacities from 200 to 6000 Nm (150 to 4400 lbf.ft)
- ▶ Ultra lightweight and durable construction with powerful performance for accurate tightening of bolted components
- ▶ Reversible, pistol grip design air motor allows for bi-directional torquing
- ▶ Smooth, non-impacting design of planetary gears minimises wear to components
- ▶ Gearbox manufactured from high grade steel and electrogalvanised for increased corrosion protection
- ▶ Slim line design of gearbox allows access in narrow spaces
- ▶ Sensitive trigger control allows for easy reaction arm positioning
- ▶ Average air consumption of 23 litres per second from a standard 8 bar airline pressure (49.5 cubic feet per minute at 116 psi)
- ▶ Supplied with a FRL filter, regulator and lubricator unit including class 1.0 air inlet pressure gauge and 3 metres hose (see page 101)



| Model number | Torque capacity * |            | Square drive size | R.P.M. at max pressure | Weight (kg) | Dimensions (mm) |     |     |     |     |
|--------------|-------------------|------------|-------------------|------------------------|-------------|-----------------|-----|-----|-----|-----|
|              | Nm                | lbf.ft     |                   |                        |             | A               | B   | C   | D   | E   |
| TWP09S       | 200 - 900         | 150 - 670  | 3/4"              | 24                     | 3.2         | 328             | 80  | 124 | 96  | 98  |
| TWP15S       | 300 - 1500        | 220 - 1110 | 1"                | 12                     | 4.7         | 343             | 88  | 190 | 150 | 80  |
| TWP22S       | 500 - 2200        | 370 - 1620 | 1"                | 7                      | 5.1         | 360             | 88  | 190 | 150 | 80  |
| TWP32S       | 800 - 3200        | 590 - 2360 | 1"                | 4                      | 5.8         | 383             | 88  | 156 | 159 | 83  |
| TWP40S       | 850 - 4200        | 620 - 3100 | 1"                | 4                      | 5.8         | 383             | 88  | 175 | 145 | 110 |
| TWP60S       | 1200 - 6000       | 880 - 4400 | 1 1/2"            | 4                      | 7.7         | 400             | 102 | 240 | 190 | 145 |

\*Minimum torque value at 1.5 bar, maximum torque value at 8 bar airline pressure. Weight is without reaction arm.