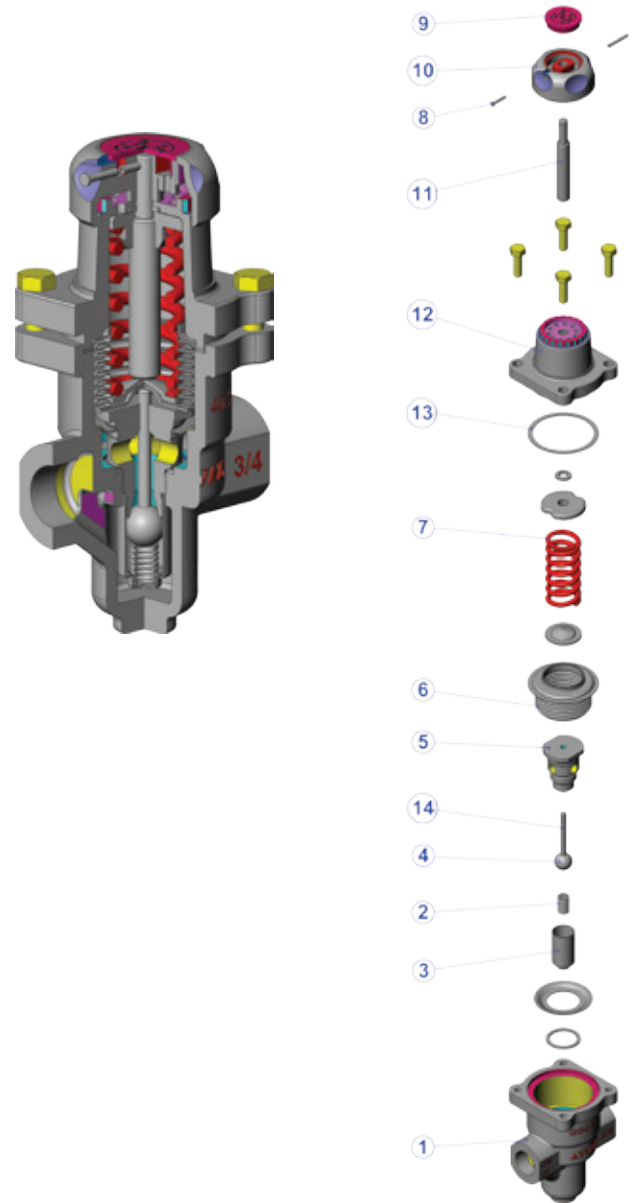


PRESSURE REDUCING VALVES

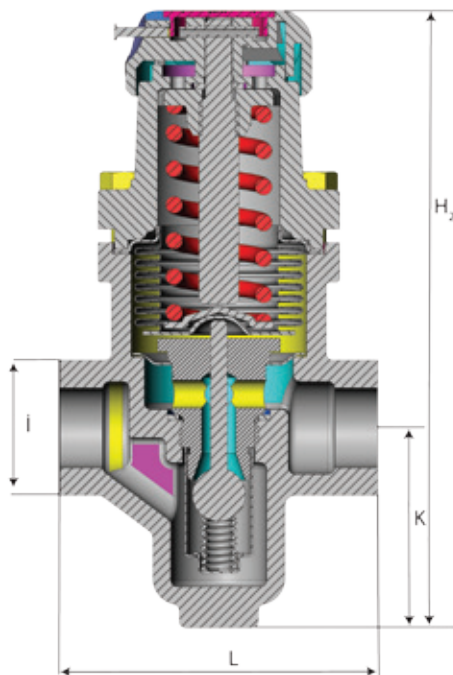
BDV-25

Construction

Part list		
No	Part Name	Material
1	Body	Ductile Iron GGG 40.3
2	Valve Spring	Stainless Steel AISI 316
3	Strainer	Stainless Steel AISI 316
4	Valve	Stainless Steel AISI 420
5	Seat	Stainless Steel AISI 431
6	Bellow	Stainless Steel AISI 316
7	Pressure Adjustment Spring	Stainless Steel
8	Lock Pin	Tool steel
9	Spring Adjustment Cover	Poly-propylene
10	Pressure Adjustment Cover	Poly-propylene
11	Pressure Adjustment Stem	Stainless Steel AISI 316
12	Upper Cover	Aluminium
13	Cover Gasket	Graphite
14	Valve Pressure Stem	Stainless Steel AISI 316L



Dimensions



Size	Code	Threaded			
		H (mm)	L (mm)	K (mm)	Øi (mm)
1/2"	703750100000	186,5	83	65	36
3/4"	703750100001	186,5	96	65	41
1"	703750100002	186,5	108	65	45

All the dimensions in the table are given in "mm".
Subject to technical alterations and deviations resulting from the manufacturing process without giving any notification.