

# 1121-1125 BUTTERFLY VALVES WITH ACTREG PNEUMATIC ACTUATOR

## FEATURES

1121 to 1125 butterfly valves are intended for the automatic opening /closing of common fluid pipes. The valve body is made of grey cast iron. The different configurations of the butterfly materials and of the liner make it suitable for many applications. Wafer mounting with centring ears between PN10/16 and ANSI 150 flanges. The long neck allows installation on insulated pipes. The ISO 5211 mounting pad allows the actuator to be directly assembled. The ACTREG (adjustable stops) pneumatic motorisation is available in double effect and spring-return with numerous options.

## LIMITS OF USE

Fluid pressure : PS	16 bar up to DN 300
Fluid temperature : TS	According to the table below
Prohibited uses	Steam, naturel gas
Ambiant temperature	-10°C / +80°C
Motor compressed air	mini 6 bar / maxi 10 bar



## AVAILABLES MODELS

DN 32/40 to DN 300.

Connection between flanges PN10/16 and ANSI 150 RF.

Double effect and spring-return actuator.



Ref.	Butterfly	Liner	Example of applications	TS min	TS max
1121	Stainless steel	NBR	Liquid hydrocarbous - compressed air	-10°C	+90°C
1123	Stainless steel	EPDM	Demineralised water - alkalis	-10°C	+110°C
1125	Cast iron	EPDM	Cold water - warm water	-10°C	+110°C

## DIRECTIVES AND MANUFACTURING STANDARDS

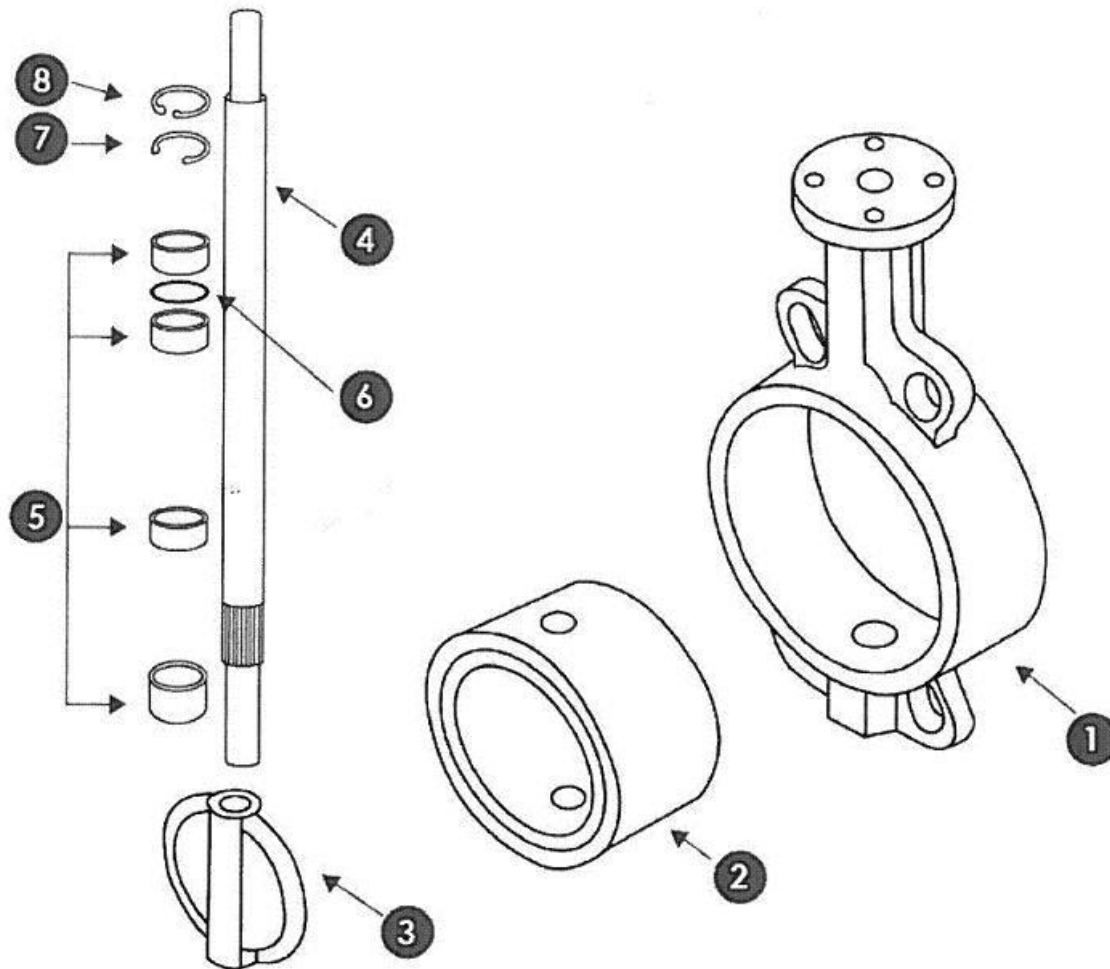
SUBJECT	Standard	ON	SUBJECT	Standard
Pressure Equipment Directive 2014/68/EC	Cat. III module H	0035	Final test	API 598
Face to face dimension	ISO 5752 série 20		Actuator pilot connection	NAMUR
Flange dimension	EN 1092-1		Switch box connection	VDI/VDE 3845
Connection Motorisation	ISO 5211 :		SIL 3 level (actuator alone)	EN 61508

Information given as an indication only, and subject to possible modifications



# 1121-1125 BUTTERFLY VALVES WITH ACTREG PNEUMATIC ACTUATOR

## CONSTRUCTION



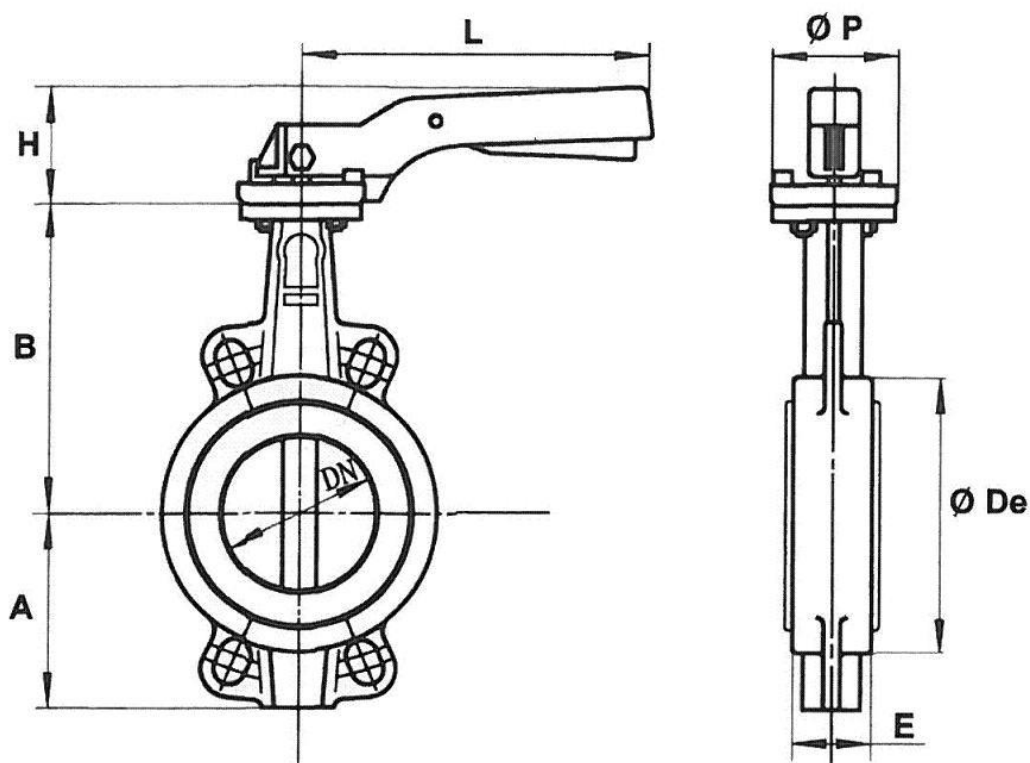
No.	Name	1121	1123	1125
1	Body	GS EN GJS-250 Cast iron		
2	Liner	NBR	EPDM	EPDM
3	Butterfly	1.4408 SS	1.4408 SS	Nickel-plated GJS-400-15 cast iron
4	Through shaft	416 SS		
5	Bearing	PTFE		
6	O-ring	NBR	NBR	NBR
7	Circlips	Steel		
8	Circlips	Steel		

Information given as an indication only, and subject to possible modifications



# 1121-1125 BUTTERFLY VALVES WITH ACTREG PNEUMATIC ACTUATOR

## DIMENSIONS (mm)



DN	32/40	50	65	80	100	125	150	200	250	300
A	61	77	87,5	95	107	121	144	171	205	235
B	130	136,5	142	158	180	192	215	242	280	310
Ø De	82	95	109	127	152	180	207	260	315	370
E	33	43	46	46	52	56	56	60	68	78
H	74	74	74	74	74	79	79	37	37	37
L	200	200	200	200	200	278	278	355	507	507
Ø P	65	65	65	65	65	90	90	125	150	150
Weight (kg)	1,8	2,5	2,9	3,2	4,2	6,7	7,7	14,7	23,4	33,8

## FLOW-RATE COEFFICIENT Kv (m<sup>3</sup>/h)

DN	32/40	50	65	80	100	125	150	200	250	300
Kv	78	98	167	258	512	872	1347	2675	4555	7037

Information given as an indication only, and subject to possible modifications



# 1121-1125 BUTTERFLY VALVES WITH ACTREG PNEUMATIC ACTUATOR

## ACTREG PNEUMATIC MOTORISATION

The ACTREG motorisation offered as standard includes:

- rack and pinion actuator of anodised aluminium.
- a safety coefficient of 1.3 minimum compared to the nominal torque of the valve.
- air non-lubricated dry motor, minimum 6 bar pressure.
- an upstream / downstream pressure difference  $\Delta P=10$  bar max.

The actuator assembly is of the following types:

- direct assembly with DN 32 to DN 200 aluminium motorisation mounting pad.
- yoke + stainless steel drive according to the EN 15081 standard for DN 250 to DN 300.

DN	Double-effect	V (liters)	Time (s)*	Spring-return	V (liters)	Time (s)*
32/40	ADA 20	0,13	0,1	ASR 40/6	0,27	0,2
50	ADA 20	0,13	0,1	ASR 40/6	0,27	0,2
65	ADA 40	0,27	0,1	ASR 80/6	0,64	0,3
80	ADA 40	0,27	0,1	ASR 80/6	0,64	0,3
100	ADA 80	0,64	0,3	ASR 130/6	0,77	0,5
125	ADA 80	0,64	0,3	ASR 200/6	1,20	0,6
150	ADA 130	0,77	0,3	ASR 300/6	1,96	0,9
200	ADA 200	1,20	0,6	ASR 500/6	2,95	1,1
250	ADA 300	1,96	0,9	ASR 500/6	2,95	1,1
300	ADA 500	2,95	1,1	ASR 850/6	4,70	2,6

For any other operating conditions, please contact us.

\*indicative time of the no-load actuator for opening or closing.

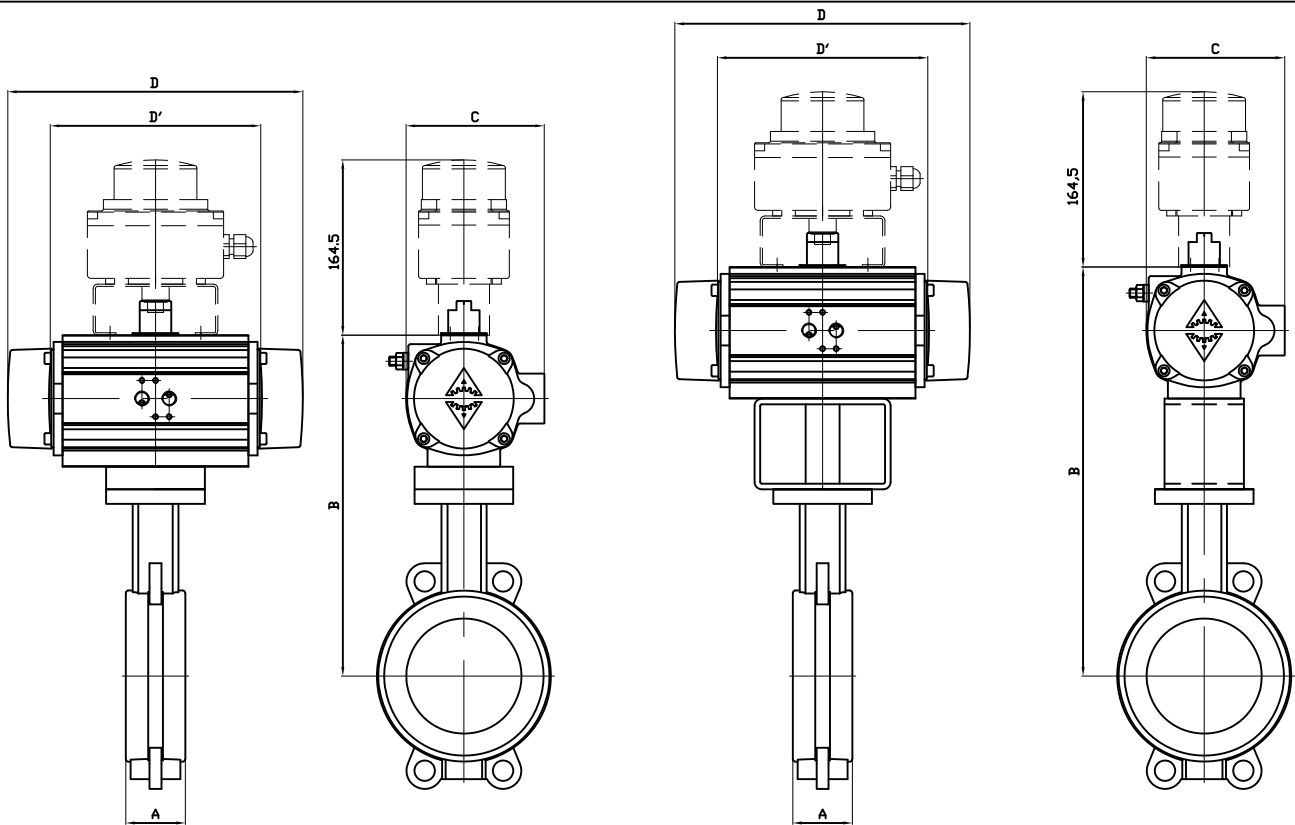
## OPTIONS OF MOTORISATION

There are a multitude of options for which we ask you to consult our commercial services:

1	actuators dimensioned for a compressed air pressure of 3, 4 or 5 bar
2	actuator dimensioned for an upstream / downstream pressure difference $\Delta P$ greater than 10 bar
4	Actuator for very low (-40°C) or very high (+150°C) ambient temperatures.
5	Robinet automatique de sécurité avec coefficient de sécurité renforcé et temps de fermeture < 1 s,
7	manual override with declutchable gear box
8	compressed air filter regulator
9	All types of piloting solenoid valves
10	all types of switch boxes
12	apid exhaust
13	flow-rate limiters - exhaust brakes
14	Air lock

Information given as an indication only, and subject to possible modifications





\* : montage avec platine H=80mm

DN	40		50		65		80		100	
ACTREG	ADA20	ASR40	ADA20	ASR40	ADA40	ASR80	ADA40	ASR80	ADA80	ASR130
A	33		43		46		46		52	
B	210	235	216.5	241.5	247	269	263	285	307	317
C	76	91	76	91	91	111	86	111	111	122
D	-	195	-	195	-	217	-	217	-	258
D'	145	-	145	-	158	-	158	-	177	-
KG	3.63	4.56	4.13	5.05	5.34	7.1	6.1	7.82	8.02	9.9

DN	125		150		200		250		300	
ACTREG	ADA80	ASR200	ADA130	ASR300	ADA200	ASR500	ADA300	ASR500	ADA500	ASR850
A	56		56		60		68		78	
B	325	353	358	393	392	426	512*	529*	559*	581*
C	111	135.5	122	152.5	135.5	173	152.5	173	173	191.5
D	-	299	-	348.5	-	397	-	397	-	473
D'	177	-	196	-	225	-	273	-	304	-
KG	9.83	14.22	12.8	19.82	19.2	29.4	41.1	48.3	51.9	63.53