

# 1133-1135 BUTTERFLY VALVES + SA ELECTRIC ACTUATOR

## FEATURES

The butterfly valves 1133 to 1135 are dedicated to the automatic opening/shut-off of common fluid pipes. It has a cast iron body. Thanks to various material possibilities for both the butterfly and the sleeve, it can be used indifferent applications. The lug type body enables the mounting between PN10/16 flanges and the long neck pattern makes the mounting on insulated pipes possible. The ISO 5211 pad enables the direct mounting of the SA electric actuator. It is perfectly adapted for an indoor or outdoor industrial use.



## AVAILABLE MODELS

DN 50 to DN 100.

Flanged connections PN10/16.

**Supply voltages** : 12 Vdc, 24 Vac-dc and 230 Vac.

## LIMITS OF USE

Max. allowable pressure : PS	16 bar
Fluid temperature : WT	According to the upper chart
Prohibited use	Steam, natural gas
Room temperature	-20°C / +70°C
Service factor	<b>S2</b> : 15mn - <b>S4</b> : 50%

Ref.	Butterfly	Seat	Application examples	TS min	TS max
1133	Stainless steel	EPDM	Demineralised water – Alkaline materials (130°C at peak)	-15°C	+110°C
1135	GS Cast iron	EPDM	Cold water – hot water (130°C at peak)	-15°C	+110°C

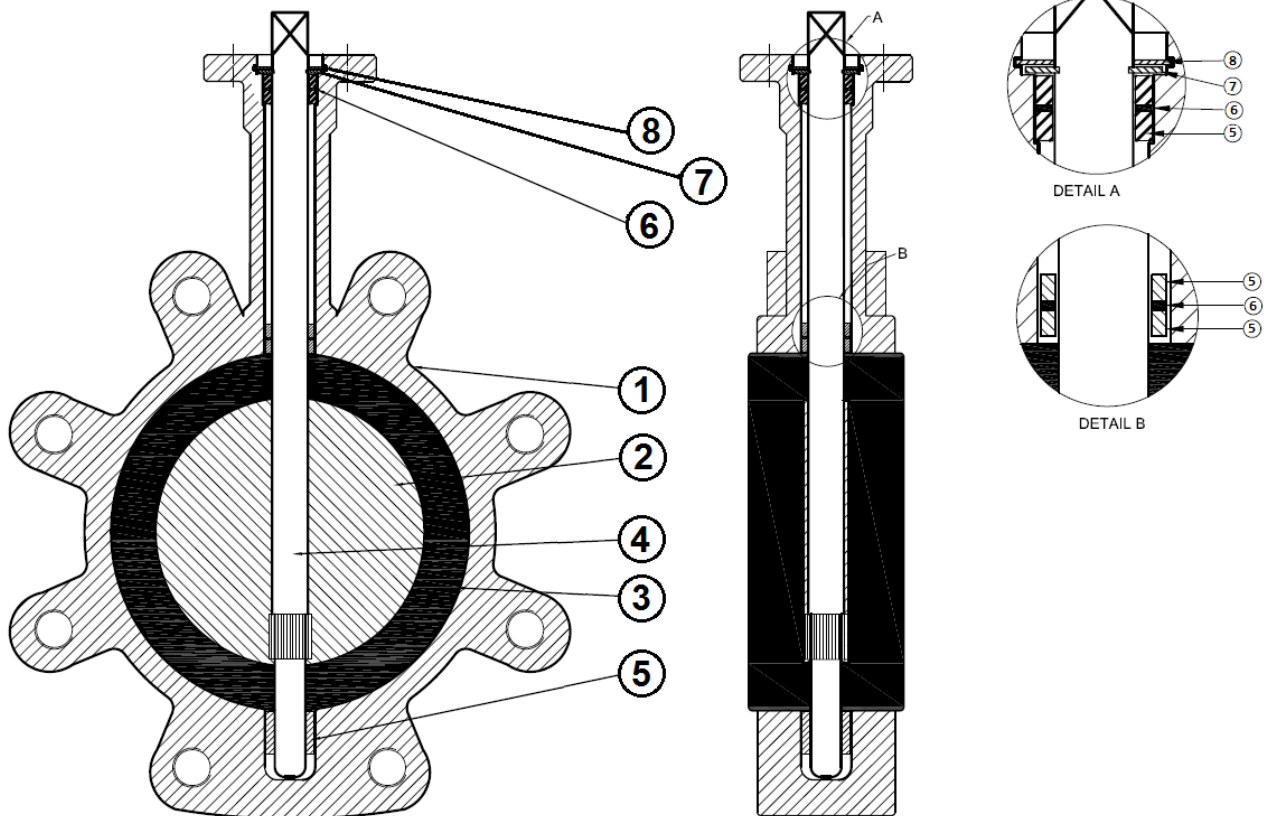
Information given as an indication only, and subject to possible modifications



# 1133-1135 BUTTERFLY VALVES + SA ELECTRIC ACTUATOR

## DIRECTIVES AND MANUFACTURING STANDARDS

OBJET	Standard	ON	OBJET	Standard
2014/68/EC Pressure Equipment Directive	Cat. III module H	0035	Final test	API 598
Face-to-face dimension	ISO 5752 series 20		Connection motorization	ISO 5211
Flanges dimension	EN 1092-1			



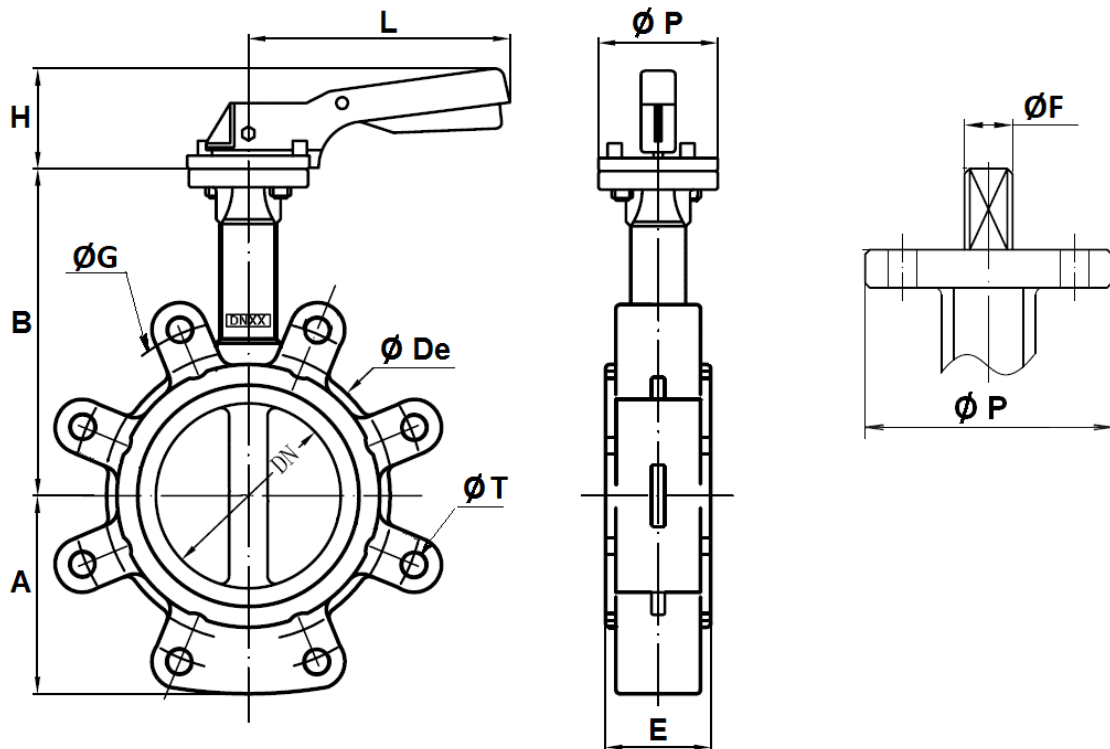
## CONSTRUCTION

No.	Name	1133	1135
1	Body	Cast iron EN GJL-250	
2	Seat	EPDM	EPDM
3	Butterfly	Stainless steel A351 CF8M /1.4408	Nickel plated cast iron EN GJS-400-15
4	Stem	Stainless steel 416	
5	Bearings	PTFE	
6	O-ring	EPDM	EPDM
7	Circlips	Steel	
8	Circlips	Steel	

Information given as an indication only, and subject to possible modifications

# 1133-1135 BUTTERFLY VALVES + SA ELECTRIC ACTUATOR

## DIMENSIONS (mm)



DN	50	65	80	100
A	77	88	95	107
B	137	142	158	180
Ø De	95	109	127	152
E	43	46	46	52
Ø F	9	9	9	11
Ø G	125	145	160	180
Ø P	65	65	65	65
Ø T	4xM16	4xM16	4xM16	8xM16
Weight (kg)	3,13	3,73	4,98	5,64

## FLOW-RATE COEFFICIENT Kv (m<sup>3</sup>/h)

DN	50	65	80	100
Kv	98	167	258	512

Information given as an indication only, and subject to possible modifications

# 1133-1135 BUTTERFLY VALVES + SA ELECTRIC ACTUATOR

## SA ELECTRIC MOTORIZATION

Suggested standard SA actuation for the following conditions:

- Electric actuator with an IP 67 epoxy coated aluminium enclosure and steel gears
- A minimum 1.3 safety factor compared with the valve nominal torque rating,
- A maximum pressure differential up/downstream of 10 bar (=ΔP).

The actuator assembly is of the following types:

- The actuator is directly mounted with an aluminium actuation pad.





DN	Actuator	Power (W)	Intensity 230 Vac	Intensity 24 Vac-dc	Time (s)*	Standard equipment of the actuator
50	SA 05	6 W	0,23 A	1,8 A	17 s	2 adjustable limit switches 2 dry auxiliary switches 5 W anti-condensation heater Protection Actuator thermal cut-out Manual override by key Backlit position indicator (except for SA-X) <b>Electrical connection:</b> 2 gland packs M20 x 1.5
65	SA 05	6 W	0,23 A	1,8 A	17 s	
80	SA 05	6 W	0,23 A	1,8 A	17 s	
100	SAZ 05	6 W	0,23 A	1,8 A	17 s	
125-300		See 1133 + actuator NA				

For any other operating conditions, please contact us.

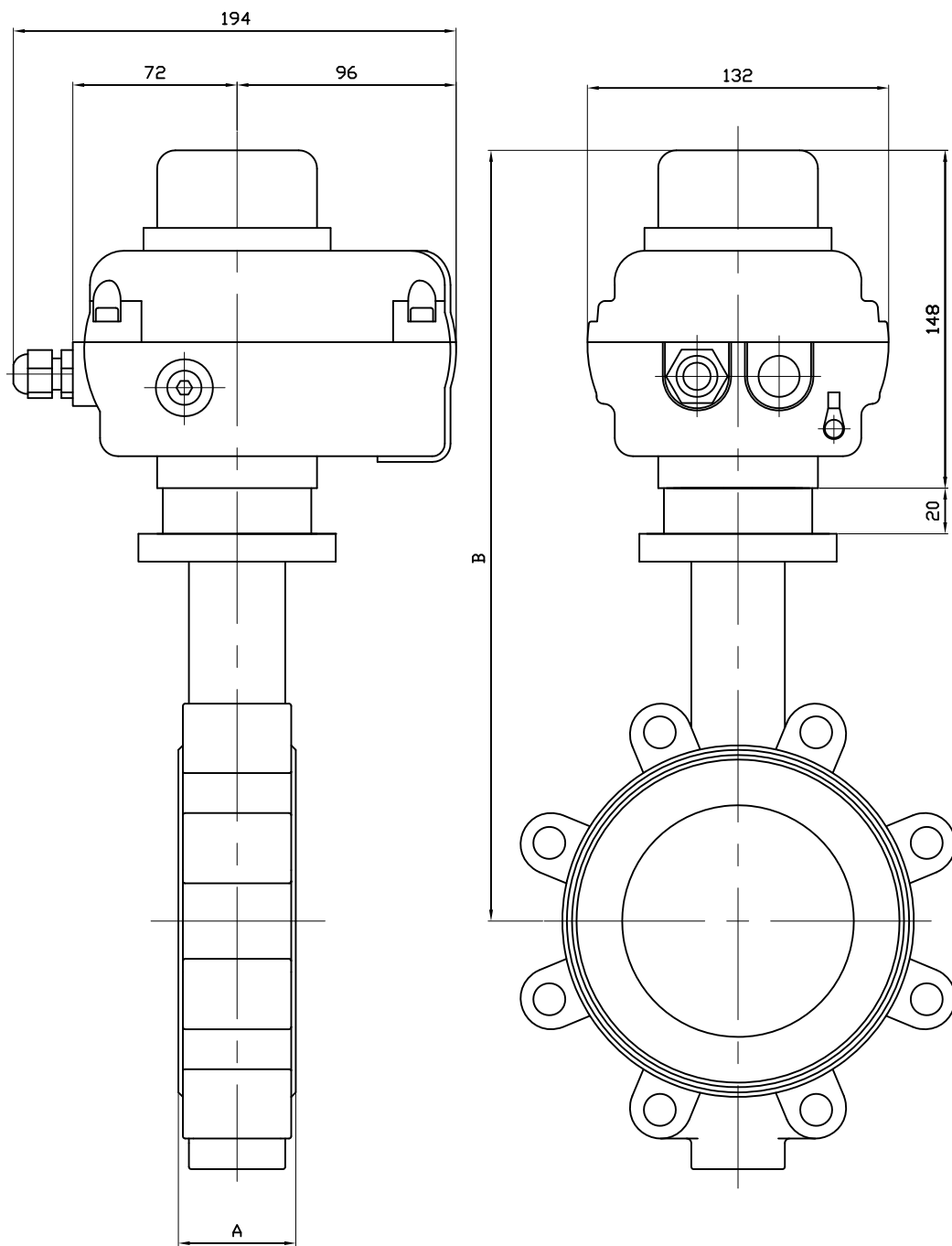
\*indicative time of the no-load actuator for opening or closing.

## MOTORIZATION OPTION

There are many options for which you are invited to contact our sales service :

1	2	3	4
<b>SA 05 S :</b> Slow actuator 100s	<b>SA 05 PCU :</b> 4-20mA ou 0-10V proportional control unit actuator	<b>SA 05 SCP :</b> Safety actuator with an integrated battery emergency shutdown	<b>SR 05 :</b> Spring return fail safe actuator
			
6	SAPUI electric actuator with a feedback potentiometer		
7	Electric actuator sized for a maximum pressure differential up/downstream over 10 bar (=ΔP)		
8	NA electric actuator with a declutchable manual override by handwheel		

Information given as an indication only, and subject to possible modifications



DN	40	50	65	80	100
A	33	43	46	46	52
B	298	304.5	310	326	348
KG	5.37	6.07	6.67	7.92	8.58

Informations données à titre indicatif et sous réserve de modifications éventuelles  
 data subject to alteration

# SA 05 ELECTRIC ACTUATOR

## FEATURES

The SA 05 electric actuator is intended for motorising industrial 1/4" turn valves. The torque is of 50 Nm. With a compact, robust construction and IP67 epoxy-coated aluminium housing, the SA actuator is especially well suited for motorising ball valves and butterfly valves installed in workshops or outdoors. The SA 05 has a manual key control and a 3D visual position indicator. Compliant with the EN 15714-2 standard.

## AVAILABLE MODELS

**Supply voltages:** 230 Vac (50-60Hz), 24 Vac/dc and 12 Vdc.

**Options:** 110 Vac, feedback potentiometer, local command.



## LIMITS OF USE

IP Code	IP 67
Ambient temperature	- 20°C / +70°C
Service factor	<b>S2:</b> 15mn - <b>S4:</b> 50%



## MECHANICAL FEATURES

Gear box	treated steel pinions
Torque	50 Nm
Angle of rotation	90° +/- 5°
Declutching	Without
Override control	by key (except for SA 05 S)

Actuator	SA 05			SA 05 S	
	Voltage	230V AC	24V AC/DC	12V DC	230V AC
Torque (Nm)	50				
Manoeuvring time (s)	17	10	11	100	100
ISO 5211	F03/F05/F07 star 14				

## ELECTRICAL FEATURES

Motor protection	Thermal switch	Anti-condensation	5W heater
Limit switches	2 adjustable switches	Electrical connection	2 x P.E. M20x1.5
Auxiliary switches	2 adjustable dry switches		

Actuator	SA 05			SA 05 S	
	Voltage	230V AC	24V AC/DC	12V DC	230V AC
Power (W)	6 W	15 W	6 W	6 W	6 W
Current (A)	0.23	1.8	3.2	0.23	1.8

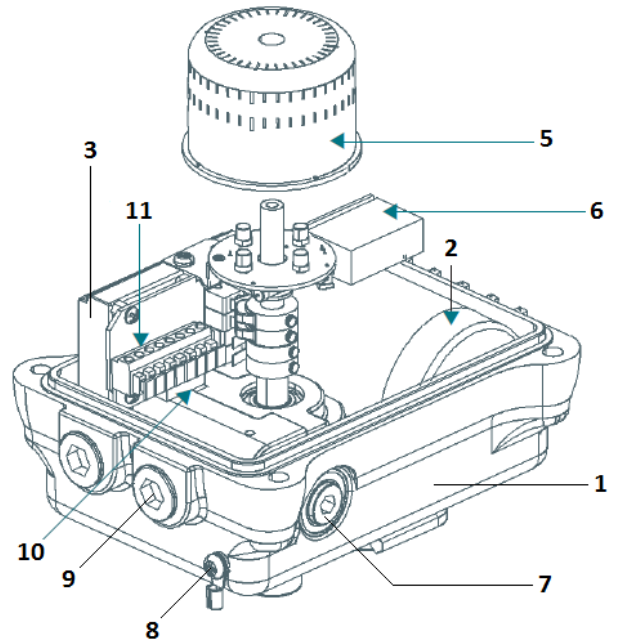
Information given as an indication only, and subject to possible modifications



# SA 05 ELECTRIC ACTUATOR

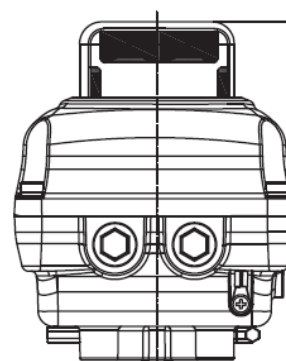
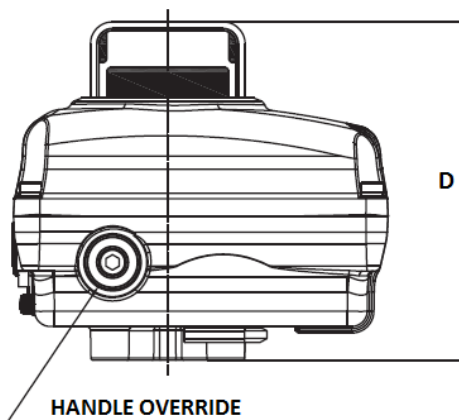
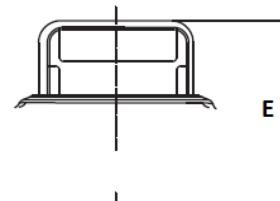
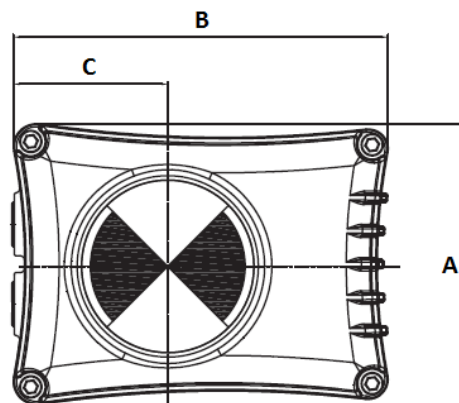
## CONSTRUCTION

1	Housing	Polyester-coated aluminium
2	Electrical motor	
3	Gear box	Treated steel pinions
4	Cover	Polyester-coated aluminium
5	Position indicator	Polycarbonate plastic
6	Condenser	
7	Handle override	
8	Earthing	
9	Cable inlet	
10	Anti-condensation heater	
11	Terminal box	



## DIMENSIONS (mm) AND WEIGHT (kg)

Dimensions (mm)	A	B	C	D	E	Weight (kg)
SA 05	127	170	70	153	80	3.2



Information given as an indication only, and subject to possible modifications

# SA 05 ELECTRIC ACTUATOR

## WIRING DIAGRAM 230V AC 50Hz/60Hz

1	common	<p>CLS : Close Limit Switch (250VAC 3A)                  OLS : Open Limit Switch (250VAC 3A)                  ACLS : Aux Close Limit Switch (250VAC 3A)                  AOLS : Aux Open Limit Switch (250VAC 3A)                  TP : Thermal Protector (250VAC 3A)                  RM : Motor Regulation</p>
2	Anti-condensation heater	
3	closing command	
4	opening command	
5	closing auxiliary	
6	closing auxiliary	
7	opening auxiliary	
8	Opening auxiliary	

## WIRING DIAGRAM 24V AC/DC-12V DC

1	Common or +	<p>CLS : Close Limit Switch (250VAC 3A)                  OLS : Open Limit Switch (250VAC 3A)                  ACLS : Aux Close Limit Switch (250VAC 3A)                  AOLS : Aux Open Limit Switch (250VAC 3A)                  TP : Thermal Protector (250VAC 3A)                  RM : Motor Regulation</p>
2	Closing command	
3	Opening command	
4	closing auxiliary	
5	opening auxiliary	
6	Auxiliaries common	
7	Anti-condensation heater power supply	
8	Anti-condensation heater power supply	

## OPTIONS

1	SA 05 X: version for ATEX zone
2	SA 05 PIU: version with feedback potentiometer
3	SA 05 CPT: version with position transmitter 4-20 mA
4	SA 05 PCU: version with adjustment card 0-10, 2-10V, 2-20 mA, 4-20 mA
5	SA 05 LCU: version with local control
6	SA 05 RBP: version with in-built fail safe/security

Information given as an indication only, and subject to possible modifications

