

**CONCENTRIC LUG BUTTERFLY VALVE PERFORMANCE RANGE DUCTILE IRON BODY DUCTILE
IRON DISC AND EPDM ACS SEAT**

Lug butterfly valve performance range for closing or setting networks of drinking water, cold and hot water.
Ductile iron EN JS-400-15 body and disc, EPDM ACS seat.
Between flanges PN10 or PN16.
Handling possible with gearbox.
Thanks to the ISO 5211 plate, an actuator can be installed on the valve.



Certificate
3.1



Size : DN40 to DN600
Connection : Between flanges PN10/16
Min Temperature : -10°C
Max Temperature : +110°C
Max Pressure : 16 Bars up to DN300 (10 bars over)
Specifications : Long neck for isolation
Ductile iron disc epoxy coated
Full crossing stem (up to DN65)
ISO 5211 mounting pad

Materials : Ductile iron EN GJS 400-15 body, ACS EPDM seat



CONCENTRIC LUG BUTTERFLY VALVE PERFORMANCE RANGE DUCTILE IRON BODY DUCTILE IRON DISC AND EPDM ACS SEAT

SPECIFICATIONS :

- Long neck for isolation
- ISO 5211 mounting pad
- Lug type
- Between flanges PN10/16
- Full crossing stem (up to DN65)
- Removable EPDM seat
- 9 positions lever up to DN150 and 12 positions lever from DN200 to 300, with locking device
- Epoxy RAL 5015 electrostatic painting coated disc, 250 μ thickness
- Epoxy RAL 5012 or RAL 5005 electrostatic painting coated body, 250 μ thickness

USE :

- Cold and hot water, drinkable water
- Min and max Temperature Ts : - 10°C to + 110°C
- Max Pressure Ps : 16 bars up to DN300, 10 bars over
- For temporary using, can be used at the end of the pipe (6 bars max)
- For final using, can be used at the end of the pipe if assembled with a flange (10 bars max)

RANGE :

- With lever from DN 40 to DN 300
- With gearbox from DN350 to 600
- Possible with gearbox **Ref. 1192** from DN 40 to DN 300

CONNECTION :

- Between flanges PN10/16

TORQUE VALUE (Nm, without safety coefficient) at 16 Bars :

DN	40	50	65	80	100	125	150	200	250	300
Torque (Nm)	11	15.1	17.2	23.1	39.8	61.9	102	192	323	490

TORQUE VALUE (Nm, without safety coefficient) at 10 Bars :

DN	32-40	50	65	80	100	125	150	200	250	300
Torque (Nm)	10.5	14.3	16.3	22	37.8	58.8	96.9	182.4	306.9	465.5

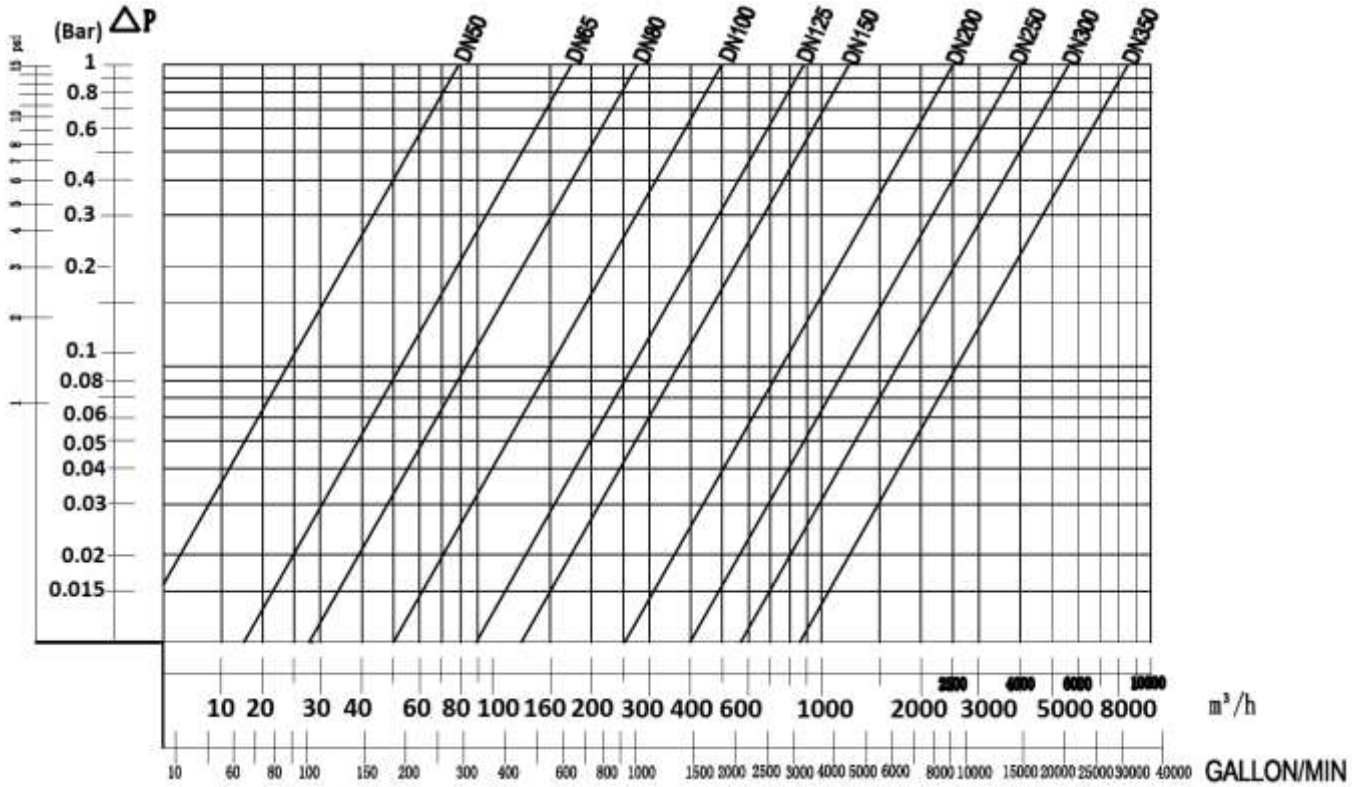
DN	350	400	450	500	600
Torque (Nm)	550	755	1012	1350	2111

CONCENTRIC LUG BUTTERFLY VALVE PERFORMANCE RANGE DUCTILE IRON BODY DUCTILE IRON DISC AND EPDM ACS SEAT

FLOW COEFFICIENTS Kv (m³ / h) :

Kv	OPENING ANGLE								
	10°	20°	30°	40°	50°	60°	70°	80°	90°
50	0,05	2,6	6,0	13	23	38	60	90	99
65	0,09	5	10	21	39	64	102	153	168
80	0,17	8	15	33	60	99	157	236	259
100	0,26	15	31	67	119	197	312	468	514
125	0,43	25	52	114	203	336	531	797	876
150	0,69	39	81	176	314	518	821	1231	1353
200	1,7	76	161	350	623	1030	1631	2446	2687
250	2,6	129	274	595	1060	1754	2776	4164	4576
300	3	201	424	919	1638	2710	4289	6433	7069
350	5	290	613	1327	2366	3914	6195	9292	10212
400	7	398	842	1825	3254	5383	8519	12779	14043
450	9	527	1116	2418	4308	7129	11284	16925	18599
500	12	678	1411	3109	5540	9167	14508	21762	23914
600	19	1047	2217	4803	8560	14163	22414	33621	36946

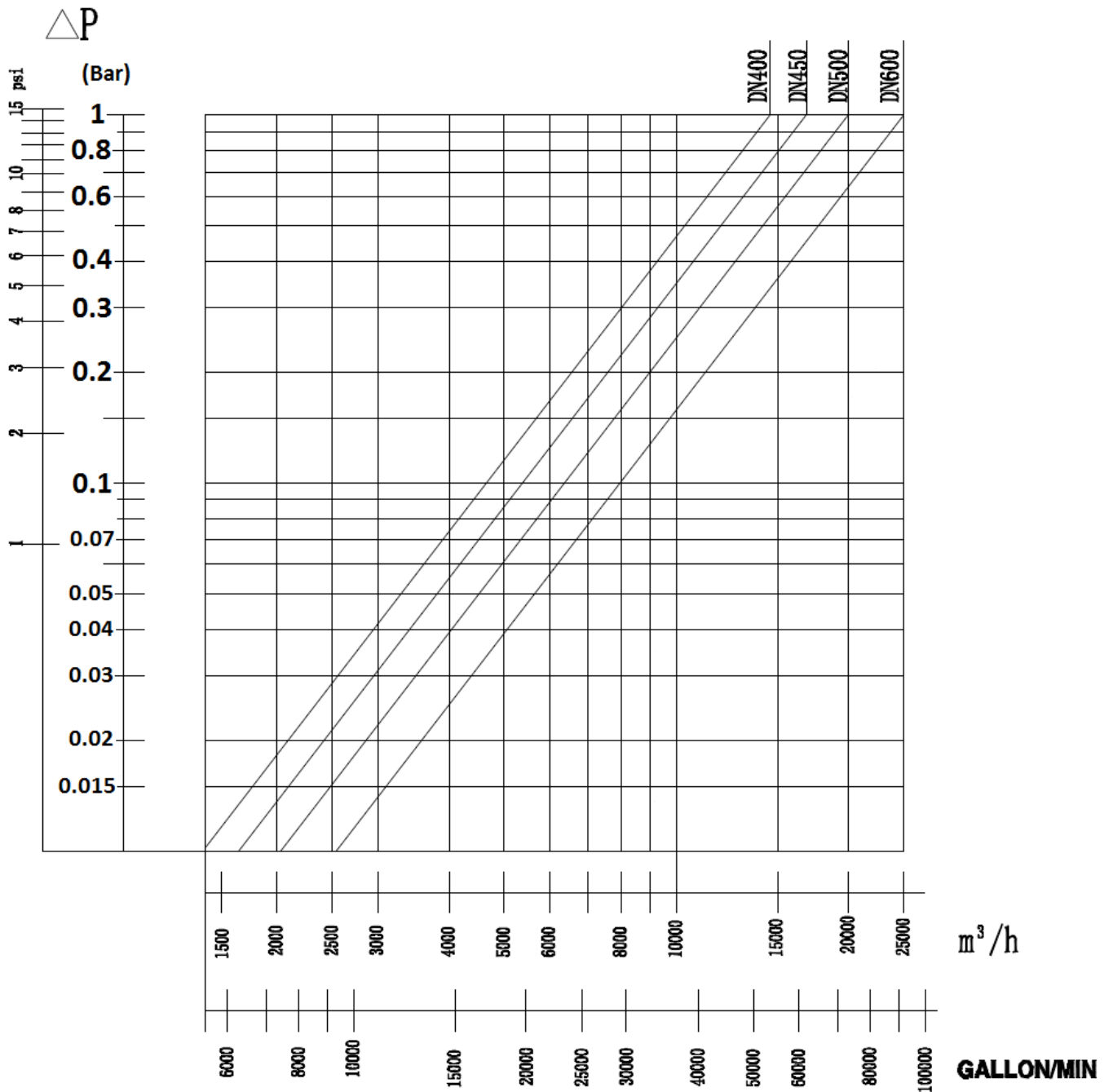
HEAD LOSS GRAPH DN50-350 :





CONCENTRIC LUG BUTTERFLY VALVE PERFORMANCE RANGE DUCTILE IRON BODY DUCTILE IRON DISC AND EPDM ACS SEAT

HEAD LOSS GRAPH DN400-600 :

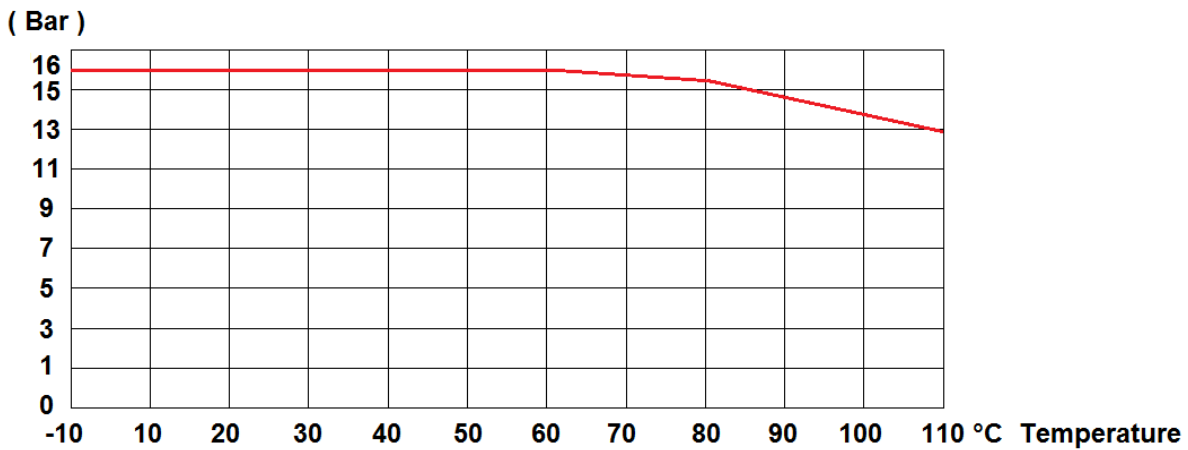




CONCENTRIC LUG BUTTERFLY VALVE PERFORMANCE RANGE DUCTILE IRON BODY DUCTILE IRON DISC AND EPDM ACS SEAT

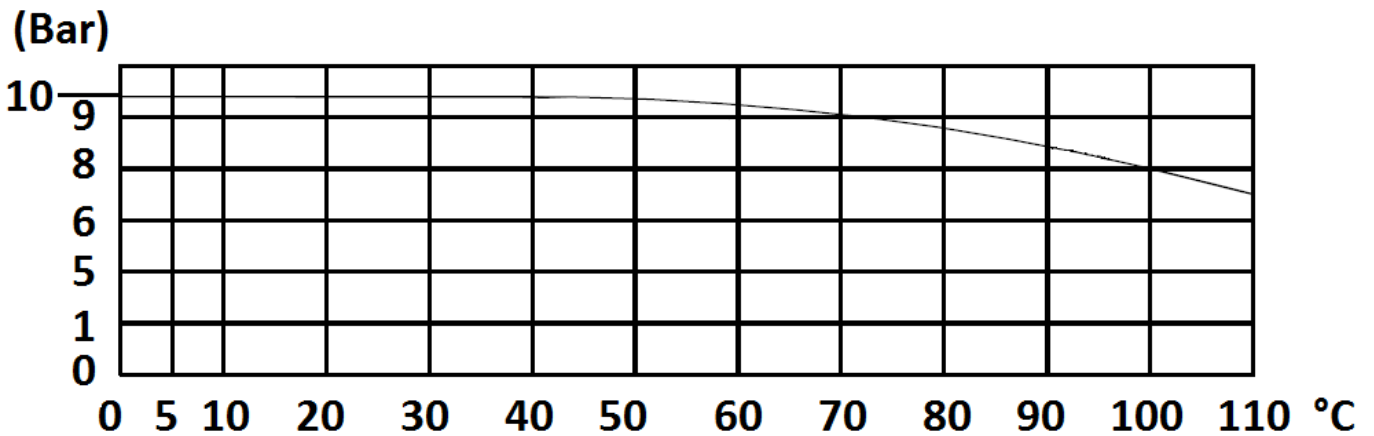
PRESSURE / TEMPERATURE GRAPH (STEAM EXCLUDED)DN40-300 :

Pressure



PRESSURE / TEMPERATURE GRAPH (STEAM EXCLUDED)DN350-600 :

Pressure



CONCENTRIC LUG BUTTERFLY VALVE PERFORMANCE RANGE DUCTILE IRON BODY DUCTILE IRON DISC AND EPDM ACS SEAT

REPAIRABILITY, SEAT :



CURRENT TYPE

NEW TYPE WITH LARGE CENTER (FROM THE END OF YEAR 2023)

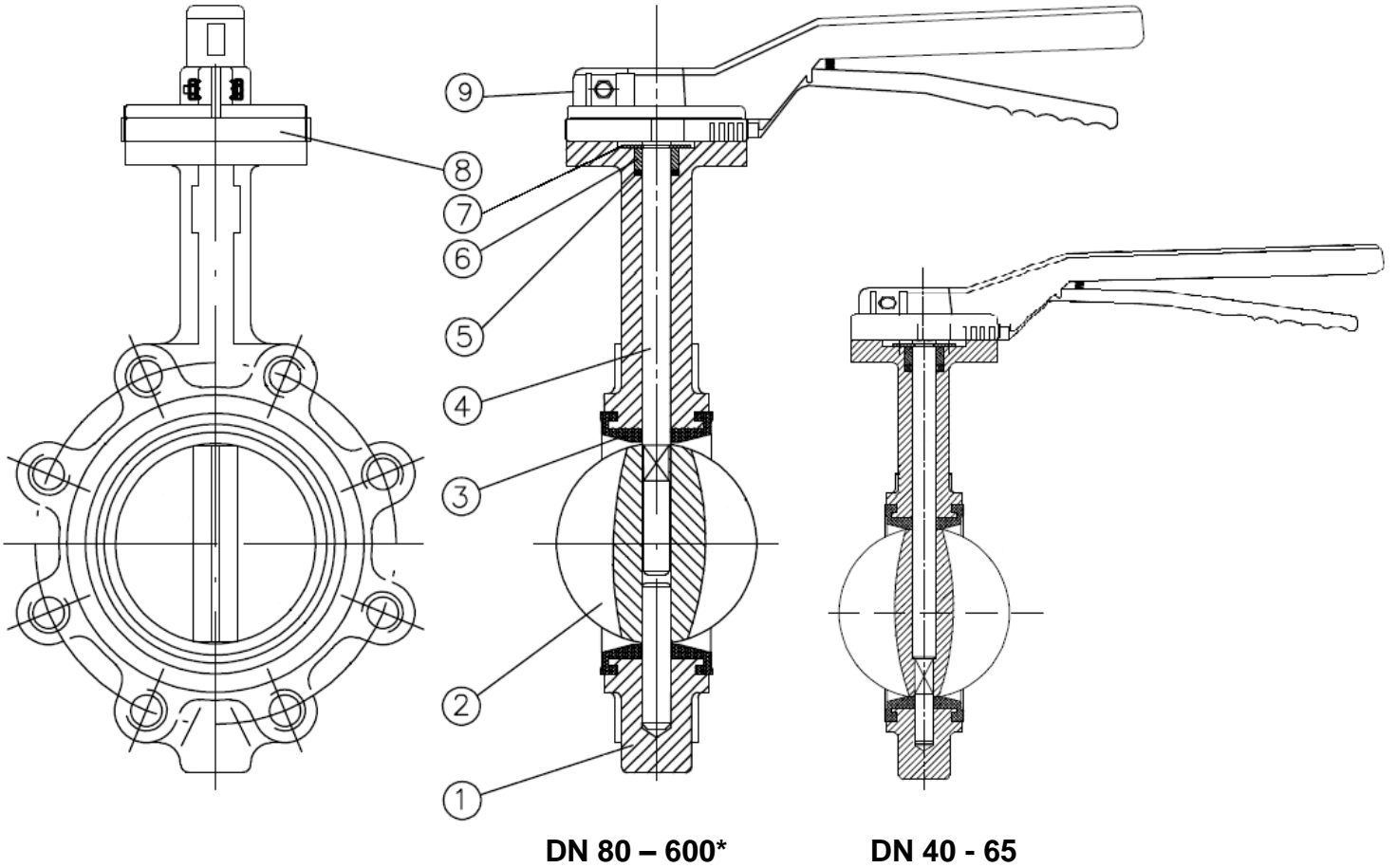


DN	40	50	65	80	100
Ref.	9831160	9831161	9831162	9831163	9831164
Ref. New type	9831160N	9831161N	9831162N	9831163N	9831164N

DN	125	150	200	250	300
Ref.	9831165	9831166	9831167	9831168	9831169
Ref. New type	9831165N	9831166N	9831167N	9831168N	9831169N

CONCENTRIC LUG BUTTERFLY VALVE PERFORMANCE RANGE DUCTILE IRON BODY DUCTILE IRON DISC AND EPDM ACS SEAT

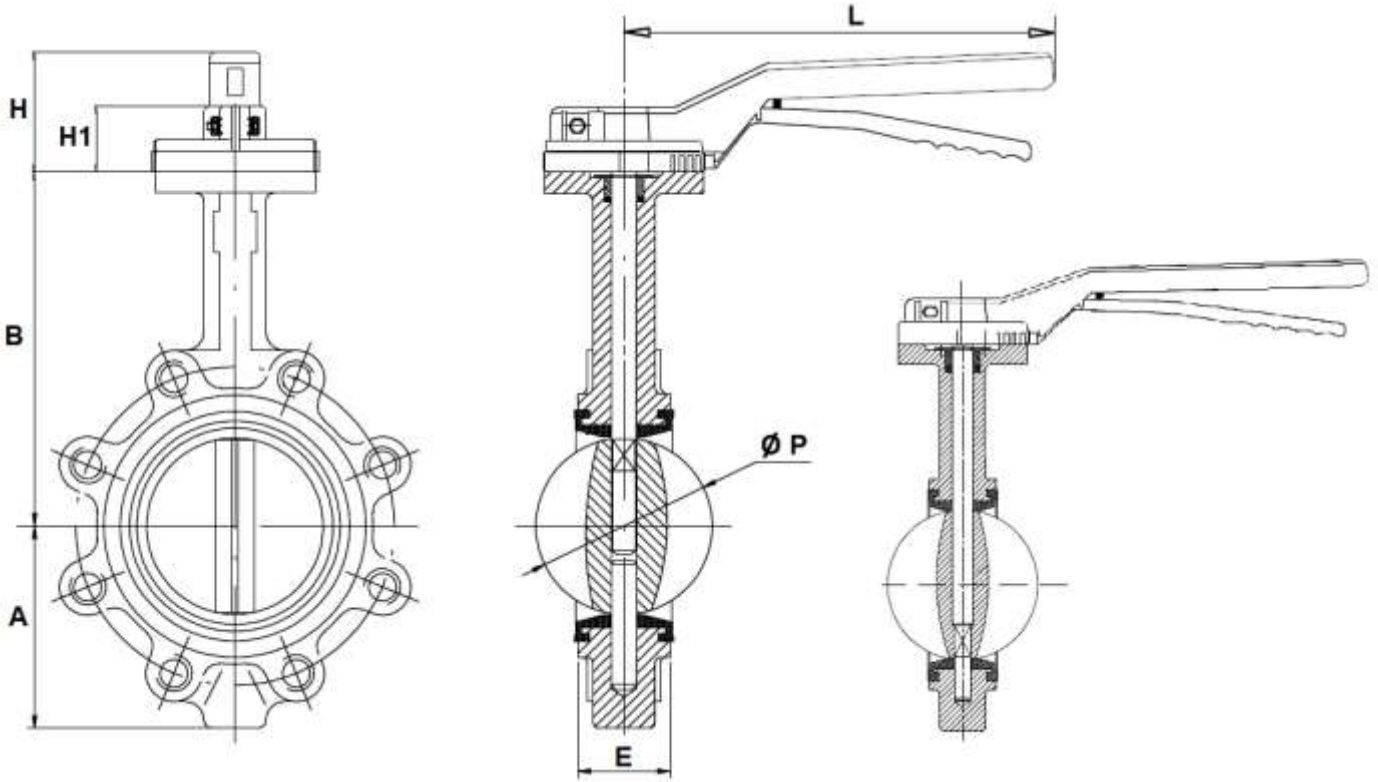
MATERIALS :



Item	Designation	Materials
1	Body	Ductile iron EN GJS-400-15
2	Disc	
3	Seat	EPDM
4	Stem	AISI 416
5	Gasket	NBR
6	Bushing	PTFE
7	Circlips	Steel
8	Plate	Aluminium
9 (*up to DN300)	Lever	

CONCENTRIC LUG BUTTERFLY VALVE PERFORMANCE RANGE DUCTILE IRON BODY DUCTILE IRON DISC AND EPDM ACS SEAT

VALVE SIZE (in mm) DN40-150 :



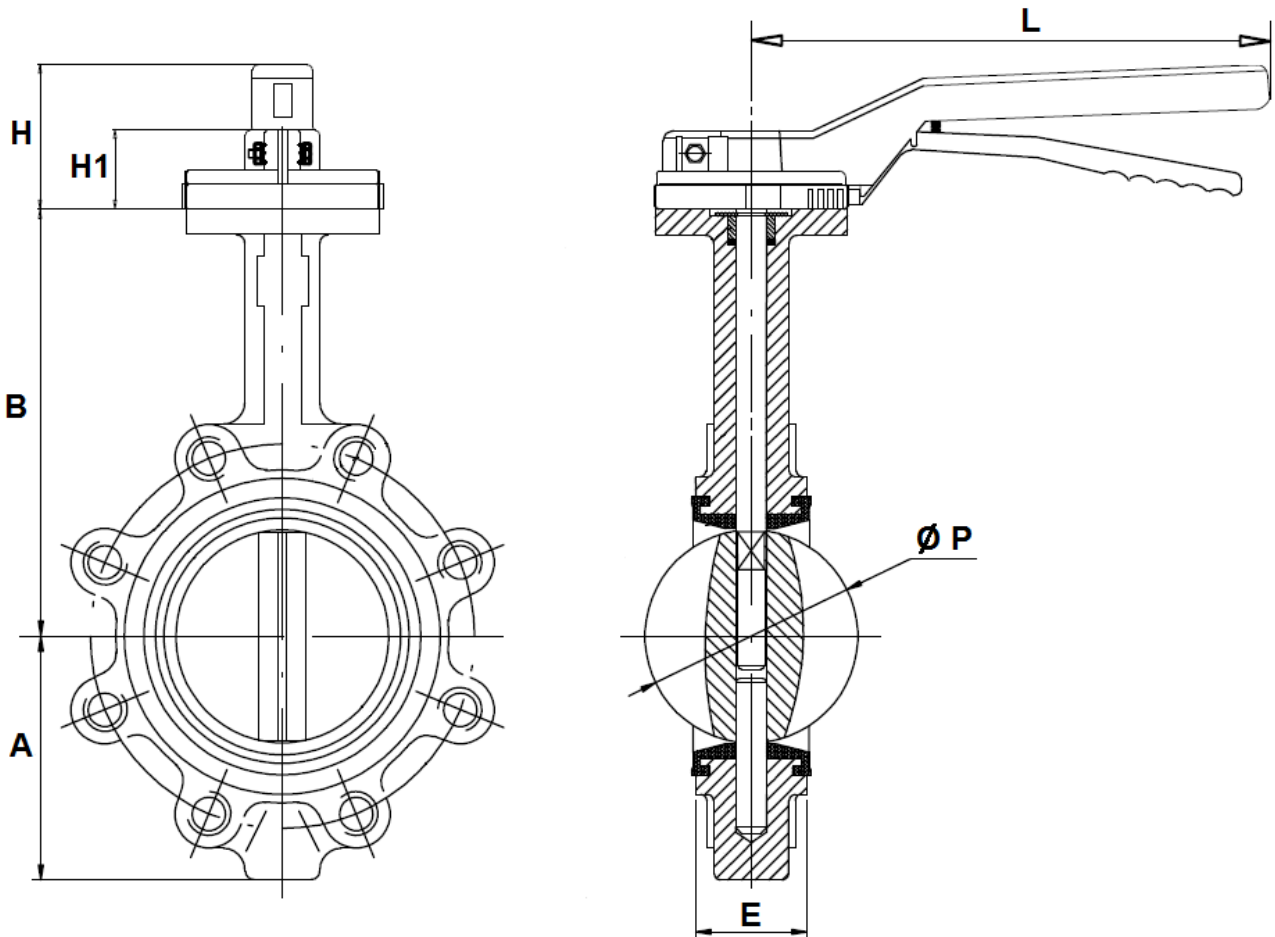
DN 80 – 300

DN 40 – 65

DN	40	50	65	80	100	125	150
Ø P	42.9	52.7	64.4	78.9	104.1	123.4	155.7
L	200	200	200	200	200	325	325
E	33	43	46	46	52	56	56
H1	43	43	43	43	43	43	43
H	74	74	74	74	74	75	75
B	120	140	150	158	176	190	211
A	57	65	75	93	108	125	135
Weight (Kg)	3	4	4.6	6	7.7	9.9	12.4
Ref.	1175040	1175050	1175065	1175080	1175100	1175125	1175150

CONCENTRIC LUG BUTTERFLY VALVE PERFORMANCE RANGE DUCTILE IRON BODY DUCTILE IRON DISC AND EPDM ACS SEAT

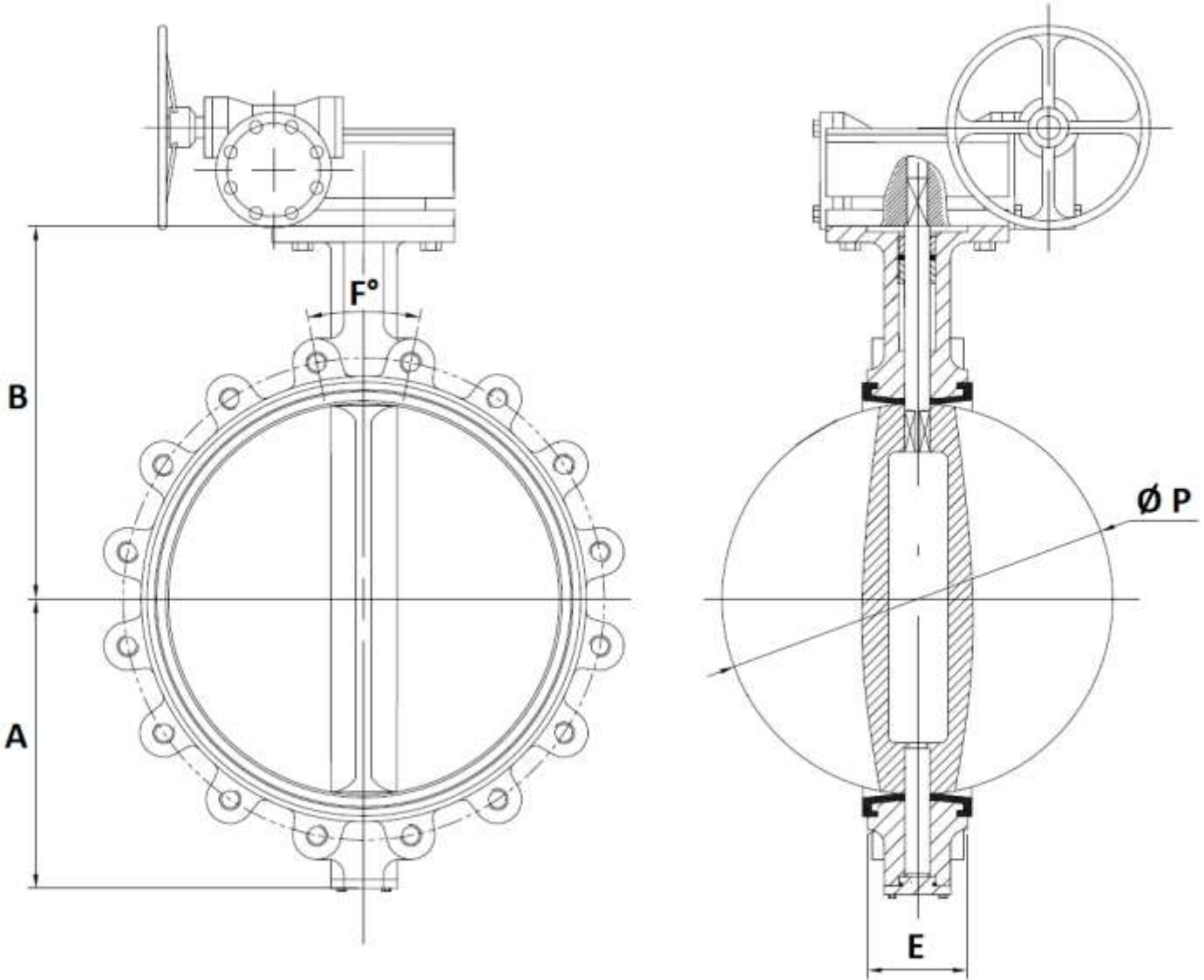
VALVE SIZE (in mm) DN200-300 :



DN	200	250	300
Ø P	202.5	250.5	301.5
L	400	400	400
E	60	68	78
H1	46	46	46
H	75	75	75
B	235	265	305
A	170	205	238
Weight (Kg)	20.2	30.4	42.4
Ref.	1175200-1175201	1175250-1175251	1175300-1175301

CONCENTRIC LUG BUTTERFLY VALVE PERFORMANCE RANGE DUCTILE IRON BODY DUCTILE IRON DISC AND EPDM ACS SEAT

VALVE SIZE (in mm) DN350-600 :



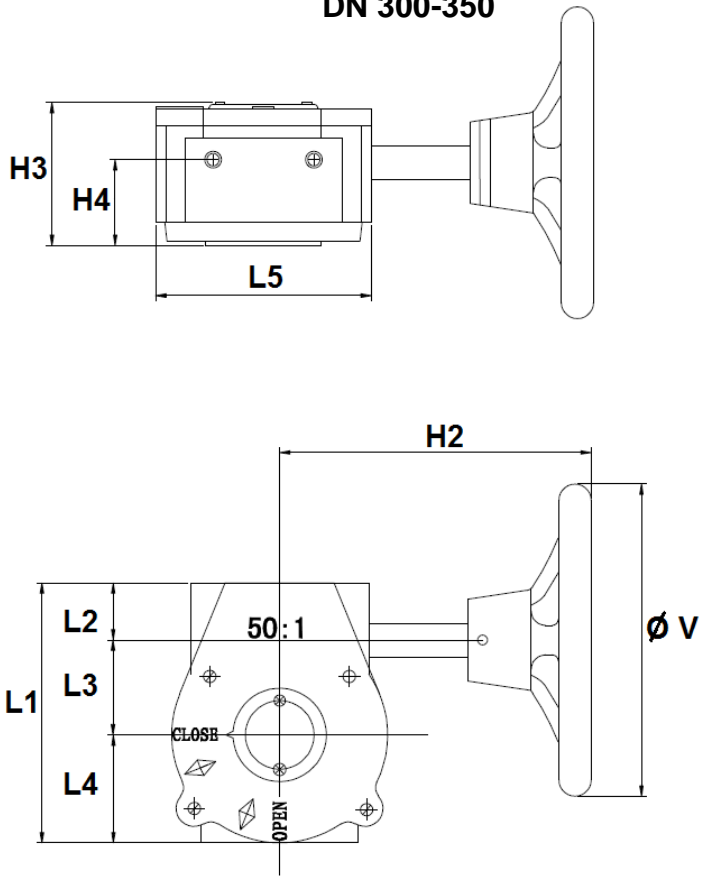
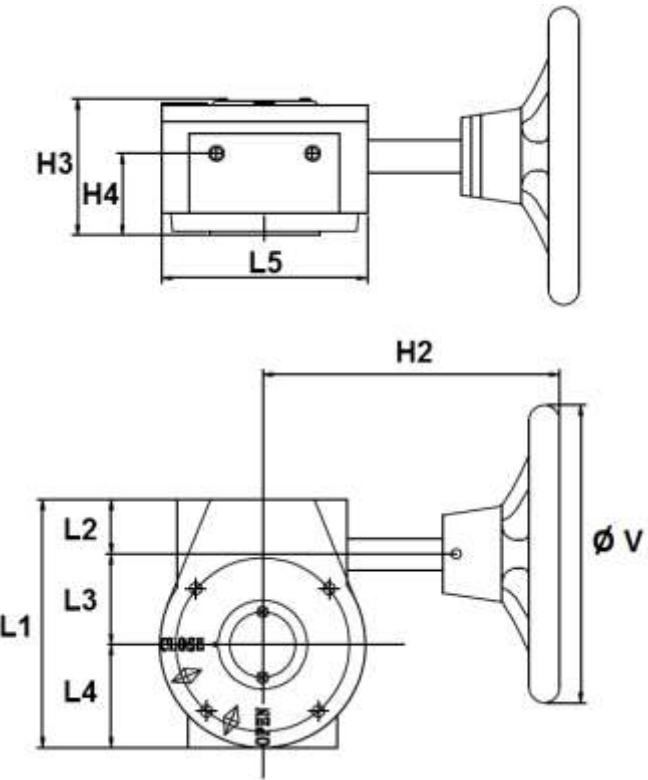
DN	350	400	450	500	600
Ø P	333.9	380.2	433.3	491.8	571.5
E	78	102	114	127	154
B	368	400	422	480	562
A	267	309	328	361	459
F°	22.5	22.5	18	18	18
Weight (Kg)	71	153	179	259	342
Ref.	1175350-1175351	1175400-1175401	1175450-1175451	1175500-1175501	1175600-1175601

CONCENTRIC LUG BUTTERFLY VALVE PERFORMANCE RANGE DUCTILE IRON BODY DUCTILE IRON DISC AND EPDM ACS SEAT

GEARBOX SIZE REF.1192 (in mm) DN32/40-350 :

DN 32/40 – 250

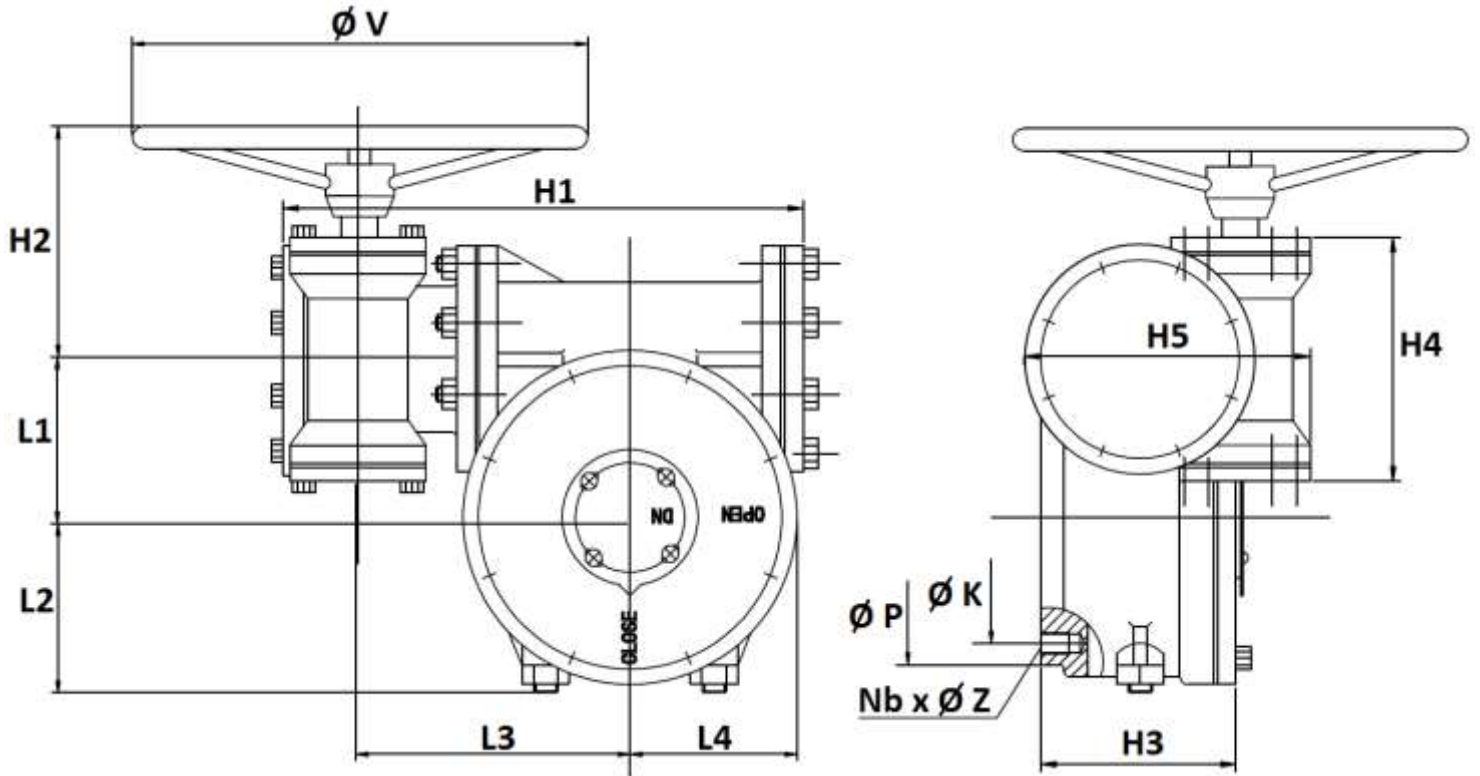
DN 300-350



DN	32/40 – 80	100	125 – 150	200	250	300	350
Ø V	150	150	150	300	300	300	300
H2	156	156	156	220	220	225	225
H3	72	72	72	85	85	82	82
H4	43	43	43	45	45	45	45
L1	125	125	125	170	170	185	185
L2	30	30	30	33	33	32.5	32.5
L3	45	45	45	66	66	77.5	77.5
L4	50	50	50	71	71	75	75
L5	104	104	104	146	146	155	155
Weight (Kg)	3.8	3.8	3.8	8.1	8.1	9.8	9.8
Ref.	1192001	1192002	1192003	1192004	1192005	1192006	-

CONCENTRIC LUG BUTTERFLY VALVE PERFORMANCE RANGE DUCTILE IRON BODY DUCTILE IRON DISC AND EPDM ACS SEAT

GEARBOX SIZE DN400-600 (in mm):



DN	400-500	600
ϕV	300	390
H1	320	386
H2	165	165
H3	135	140
H4	170	170
H5	185	185
L1	104	130
L2	110	135
L3	175	197
L4	100	145
ϕK (ISO)	140 (F14)	165 (F16)
Nb x ϕZ	4 x M16	4 x M20
ϕP	175	210
Weight (Kg)	31	48



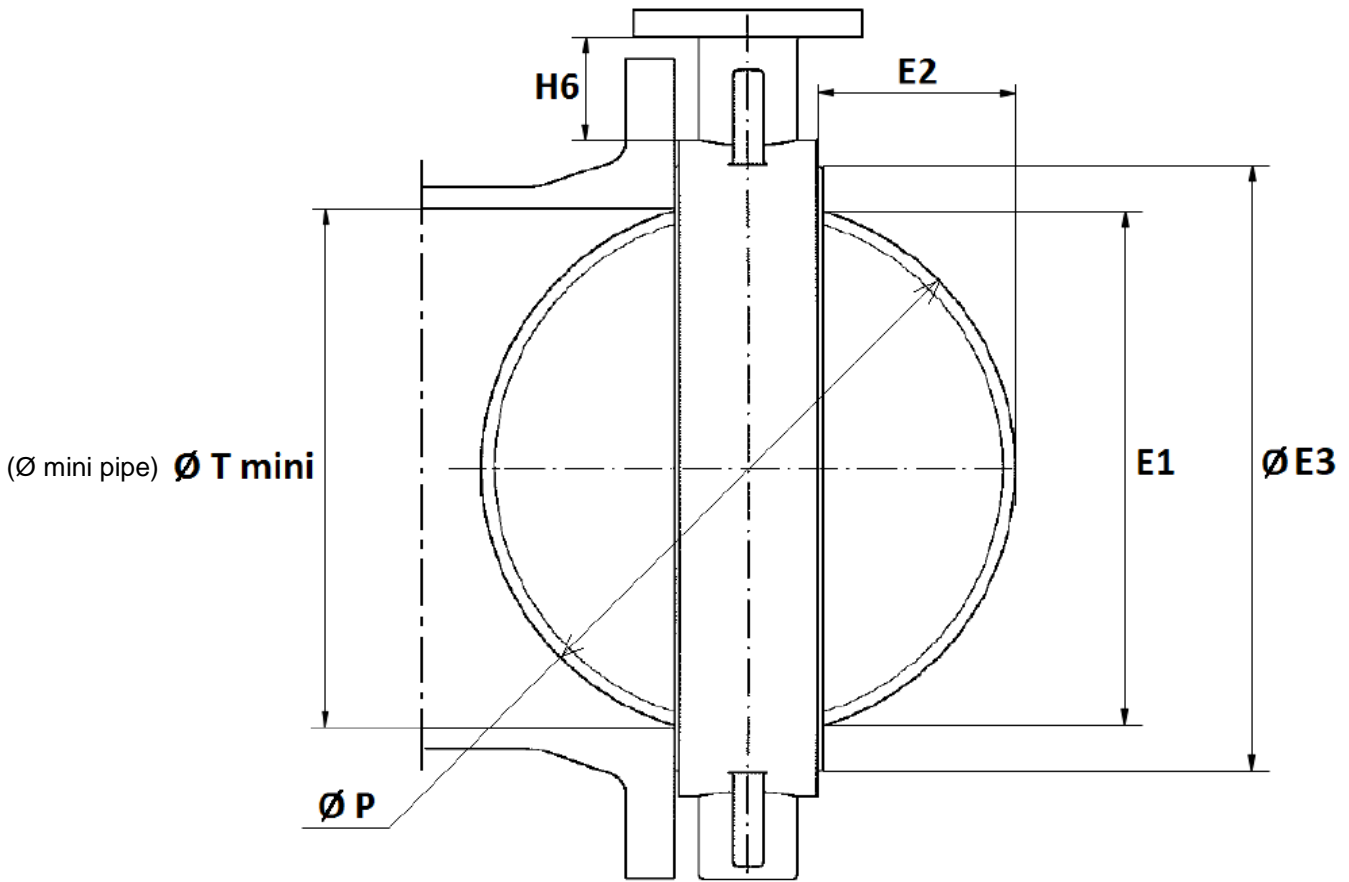
**CONCENTRIC LUG BUTTERFLY VALVE PERFORMANCE RANGE DUCTILE IRON BODY DUCTILE
IRON DISC AND EPDM ACS SEAT**

GEARBOX SPECIFICATIONS REF.1192:

DN	32/40 – 80	100	125 – 150	200	250	300	400-500	600
Ref.	1192001	1192002	1192003	1192004	1192005	1192006	-	-
Ratio factor	24 :1	24 :1	24 :1	32 :1	32 :1	50 :1	532 :1	640 :1
Number of turns for closing/opening	6	6	6	8	8	12.5	133	160
Output torque (Nm)	170	170	170	500	500	1200	2500	4000

CONCENTRIC LUG BUTTERFLY VALVE PERFORMANCE RANGE DUCTILE IRON BODY DUCTILE IRON DISC AND EPDM ACS SEAT

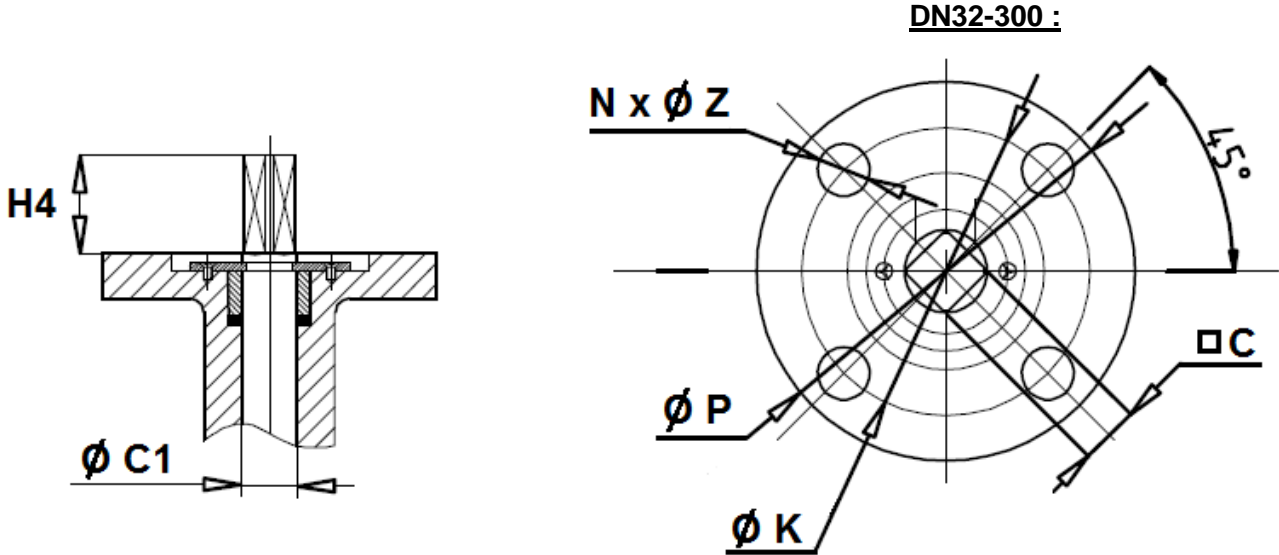
DISC AND NECK SIZE (in mm) :



DN	32-40	50	65	80	100	125	150	200	250	300	350	400	450	500	600
E1	38.2	46.6	59.5	75.4	98.2	117.1	147.8	195.3	242.6	292.2	329	377.1	427.7	484.3	562.6
E2	4.95	4.85	9.2	16.45	26.05	33.7	49.85	71.25	91.25	111.75	127.95	139.1	159.65	182.4	208.75
Ø E3 ±2	72	81	98	118	143	162	200	246	308	352	386	444	492	558	656
H6 ±2	68	82.5	78.8	81.5	85.5	88	90.5	89	99	103	140	143	138	162	189
Ø P	42.9	52.7	64.4	78.9	104.1	123.4	155.7	202.5	250.5	301.5	333.9	380.2	433.3	491.8	571.5
Ø T mini	43	53	65	79.5	104.5	124	155.5	202.5	250.5	302	334	390	441	492	585

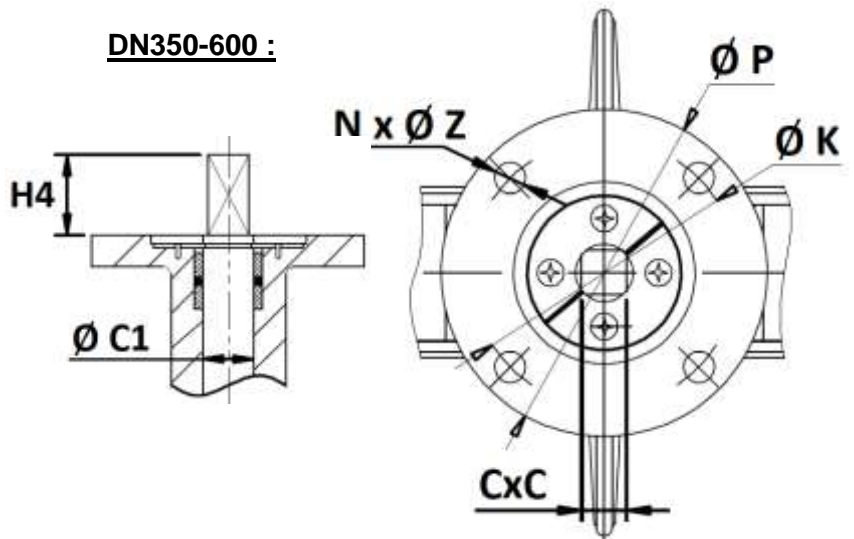
CONCENTRIC LUG BUTTERFLY VALVE PERFORMANCE RANGE DUCTILE IRON BODY DUCTILE IRON DISC AND EPDM ACS SEAT

ISO PLATE SIZE (in mm) :



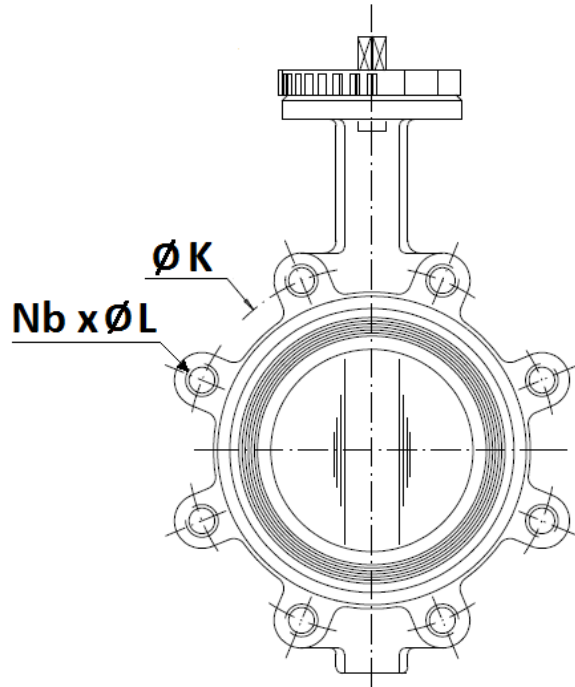
DN	32-40	50	65	80	100	125	150	200	250	300
H4	42				43			45		
Ø C1	12.6				15.77	18.92	18.92	22.1	28.45	31.6
C	9				11	14		17	22	
Ø P	88							125		
Ø K	70							102		
ISO	F07							F10		
N x Ø Z	4 x 10							4 x 12		

DN	350	400	450	500	600
H4	42	50		60	
Ø C1	31.6	37.95	42.86	45.72	53.98
C	22	27		36	
Ø P	125	175			210
Ø K	102	140		165	
ISO	F10	F14		F16	
N x Ø Z	4 x 12	4 x 18		4 x 23	



CONCENTRIC LUG BUTTERFLY VALVE PERFORMANCE RANGE DUCTILE IRON BODY DUCTILE IRON DISC AND EPDM ACS SEAT

BETWEEN FLANGES SIZE (in mm) :



	DN (mm)	40	50	65	80	100	125	150	
	NPS (")	1"1/2	2"	2"1/2	3"	4"	5"	6"	
PN10/16	Ø K	110	125	145	160	180	210	240	
	Nb x Ø L	4 x M16			8 x M16			8xM20	
	Ref.	1175040	1175050	1175065	1175080	1175100	1175125	1175150	

	DN (mm)	200	250	300	350	400	450	500	600
	NPS (")	8"	10"	12"	14"	16"	18"	20"	24"
PN10	Ø K	295	350	400	460	515	565	620	725
	Nb x Ø L	8 x M20	12 x M20		16 x M20	16 x M24	20 x M24		20 x M27
	Ref.	1175200	1175250	1175300	1175350	1175400	1175450	1175500	1175600

	DN (mm)	200	250	300	350	400	450	500	600
	NPS (")	8"	10"	12"	14"	16"	18"	20"	24"
PN16	Ø K	295	355	410	470	525	585	650	770
	Nb x Ø L	12 x M20	12 x M24		16 x M24	16 x M27	20 x M27	20 x M30	20 x M33
	Ref.	1175201	1175251	1175301	1175351	1175401	1175451	1175501	1175601



**CONCENTRIC LUG BUTTERFLY VALVE PERFORMANCE RANGE DUCTILE IRON BODY DUCTILE
IRON DISC AND EPDM ACS SEAT**

STANDARDS :

- Manufacturer certified ISO 9001:2015
- Designing according to BS 5155
- DIRECTIVE 2014/68/EU : For liquids of Group 2
 - Article 4, §3 (SEP), no CE marking
- Certificate 3.1 on request
- Pressure tests according to EN 12266-1, Rate A
- Between flanges according to EN 1092-1 PN10-PN16
- ISO 5211 mounting pad
- Length according to ISO 5752 short series 20, EN 558 series 20 (NF 29305),BS 5155 Wafer short/medium, DIN 3202 part 3, series K1
- French water agreement **A.C.S. N° 24 ACC LY 187**
- English water agreement **WRAS**

ADVICE : Our opinion and our advice are not guaranteed and SFERACO shall not be liable for the consequences of damages.
The customer must check the right choice of the products with the real service conditions.