

**CONCENTRIC WAFER BUTTERFLY VALVE PERFORMANCE RANGE DUCTILE IRON BODY
STAINLESS STEEL DISC AND NBR SEAT**

Wafer butterfly valve performance range for closing or setting networks of water, wasted water, grease, oil, glycol.
Ductile iron EN GJS-500-7 body, stainless steel disc and NBR seat.
Between flanges PN10, PN16, Class 150 or JIS10K according to DN.
Handling possible with gearbox.
Thanks to the ISO 5211 plate, an actuator can be installed on the valve.

Certificate

3.1



Size : DN40 to DN200
Connection : Between flanges PN10/16, Class 150(PN20) or JIS10K
Min Temperature : -10°C
Max Temperature : +90°C
Max Pressure : 16 Bars
Specifications : Long neck for isolation
Stainless steel disc
Full crossing stem (up to DN65)
ISO 5211 mounting pad

Materials : Ductile iron EN GJS 500-7 body, NBR seat

**CONCENTRIC WAFER BUTTERFLY VALVE PERFORMANCE RANGE DUCTILE IRON BODY
STAINLESS STEEL DISC AND NBR SEAT**

SPECIFICATIONS :

- Long neck for isolation
- ISO 5211 mounting pad
- Wafer type
- Between flanges PN10/16, Class 150 (PN20) and JIS10K
- Full crossing stem (up to DN65)
- Removable NBR seat
- 9 positions lever up to DN150 and 12 positions lever for DN200, with locking device
- Stainless steel disc
- Epoxy RAL 5005 electrostatic painting coated body, 250µ thickness

USE :

- Fluids : Water, wasted water, grease, oil, glycol and liquids of 2nd group
- Min and max Temperature Ts : - 10°C to + 90°C
- Max Pressure Ps : 16 bars

RANGE :

- With lever
- Possible with gearbox Ref. 1192

CONNECTION :

- Between flanges PN10/16, Class 150 (PN20) and JIS10K

TORQUE VALUE (Nm, without safety coefficient) at 16 Bars :

DN	40	50	65	80	100	125	150	200
Torque (Nm)	11	15.1	17.2	23.1	39.8	61.9	102	192

TORQUE VALUE (Nm, without safety coefficient) at 10 Bars :

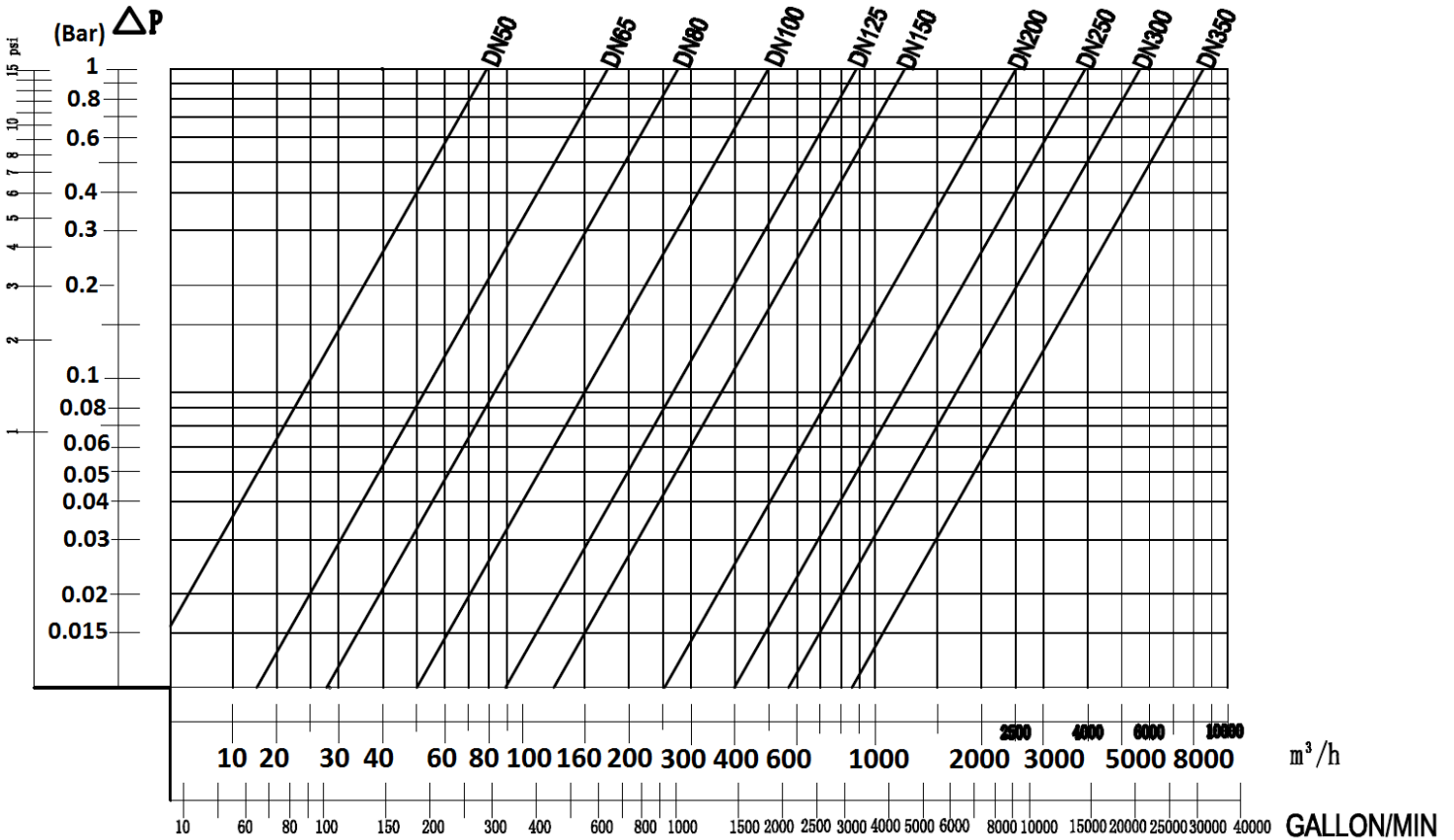
DN	40	50	65	80	100	125	150	200
Torque (Nm)	10.5	14.3	16.3	22	37.8	58.8	96.9	182.4

**CONCENTRIC WAFER BUTTERFLY VALVE PERFORMANCE RANGE DUCTILE IRON BODY
STAINLESS STEEL DISC AND NBR SEAT**

FLOW COEFFICIENTS Kv (m³ / h) :

Kv	OPENING ANGLE								
DN	10°	20°	30°	40°	50°	60°	70°	80°	90°
50	0,05	2,6	6,0	13	23	38	60	90	99
65	0,09	5	10	21	39	64	102	153	168
80	0,17	8	15	33	60	99	157	236	259
100	0,26	15	31	67	119	197	312	468	514
125	0,43	25	52	114	203	336	531	797	876
150	0,69	39	81	176	314	518	821	1231	1353
200	1,7	76	161	350	623	1030	1631	2446	2687

HEAD LOSS GRAPH :

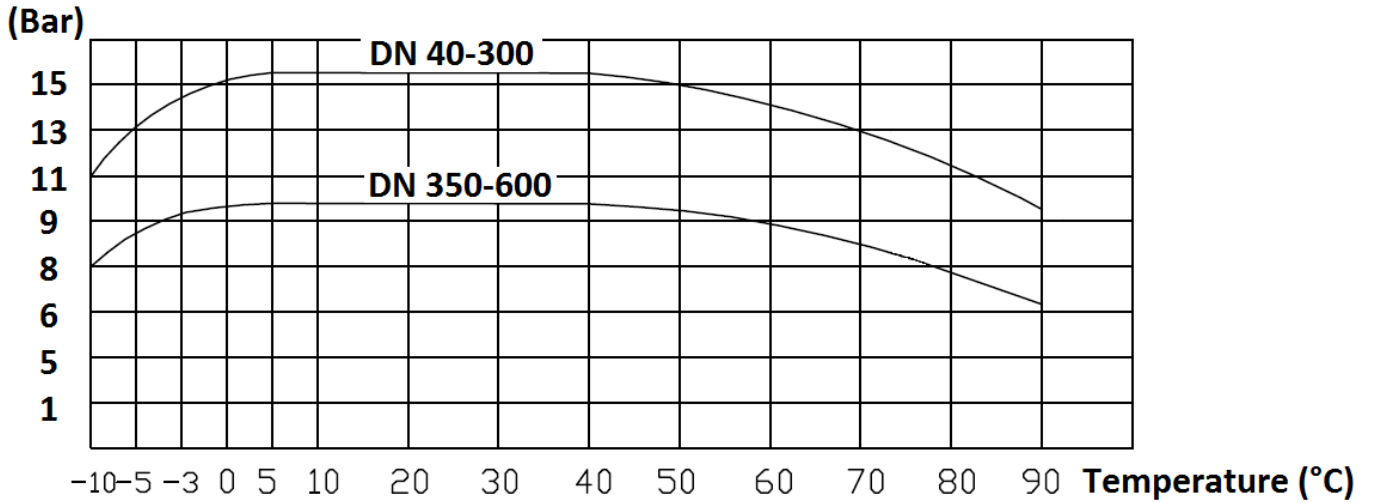




**CONCENTRIC WAFER BUTTERFLY VALVE PERFORMANCE RANGE DUCTILE IRON BODY
STAINLESS STEEL DISC AND NBR SEAT**

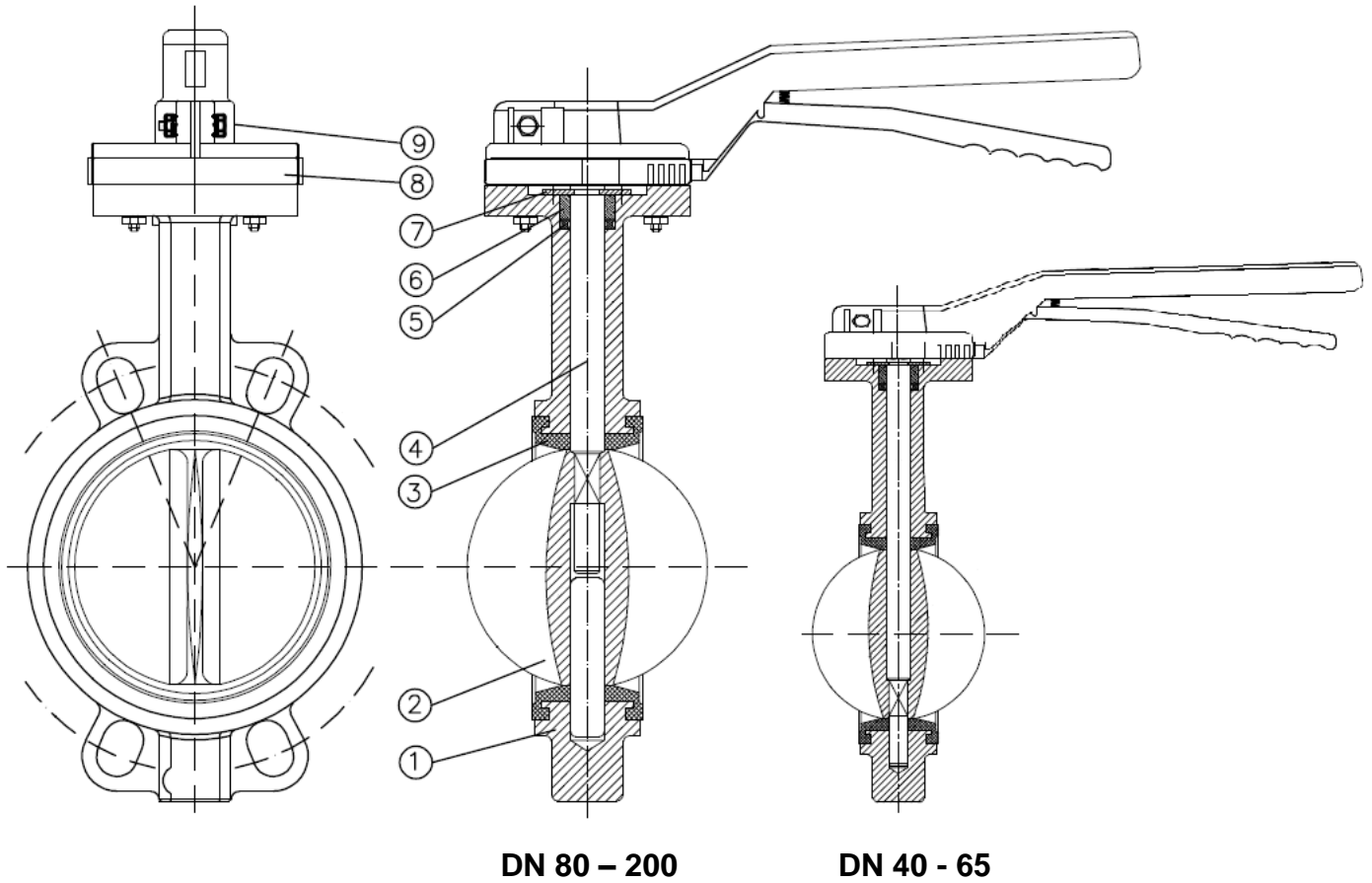
PRESSURE / TEMPERATURE GRAPH (STEAM EXCLUDED) :

Pressure



**CONCENTRIC WAFER BUTTERFLY VALVE PERFORMANCE RANGE DUCTILE IRON BODY
STAINLESS STEEL DISC AND NBR SEAT**

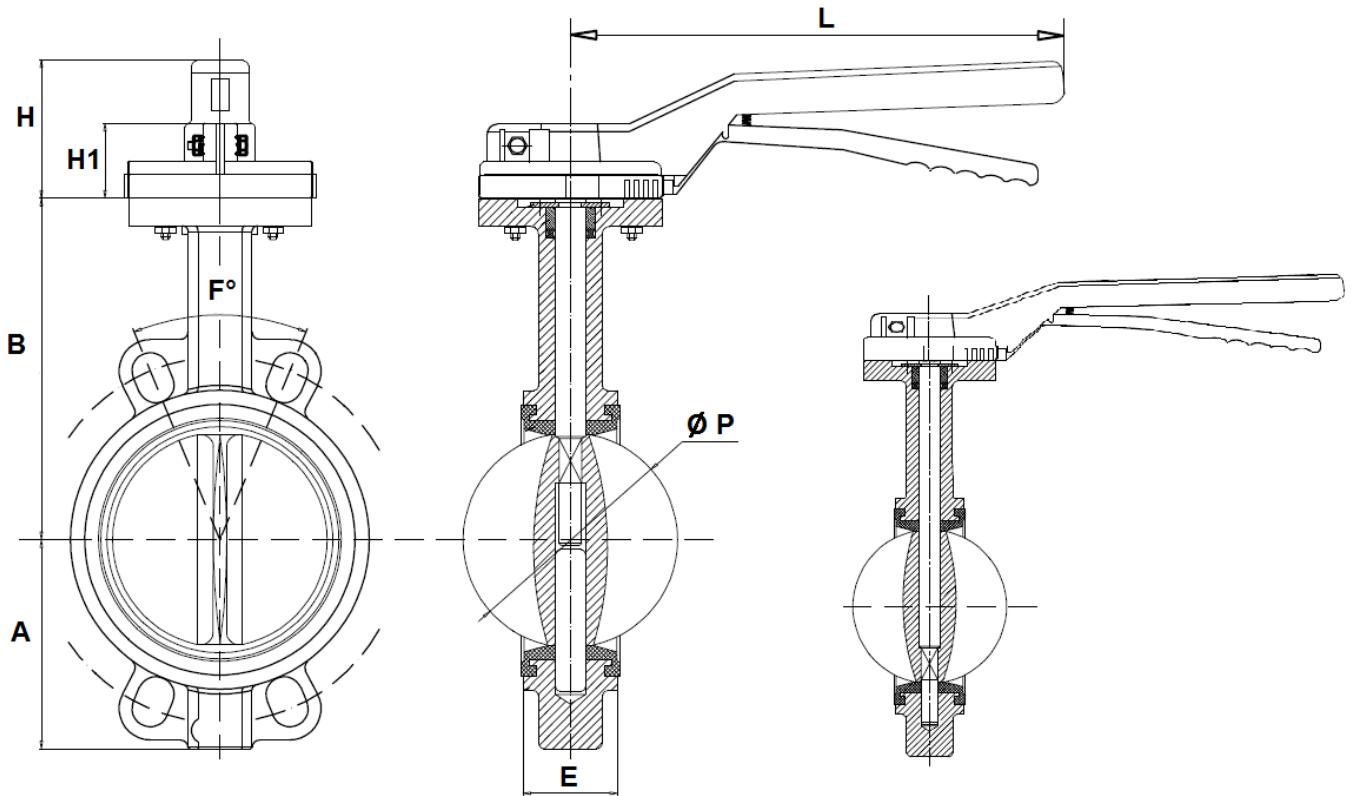
MATERIALS :



Item	Designation	Materials
1	Body	Ductile iron EN GJS-500-7
2	Disc	ASTM A351 CF8M
3	Seat	NBR
4	Stem	AISI 416
5	Gasket	NBR
6	Bushing	PTFE
7	Circlips	Steel
8	Plate	Aluminium
9	Lever	

**CONCENTRIC WAFER BUTTERFLY VALVE PERFORMANCE RANGE DUCTILE IRON BODY
STAINLESS STEEL DISC AND NBR SEAT**

VALVE SIZE (in mm) :



(* : body with 8 flanges holes for DN80)

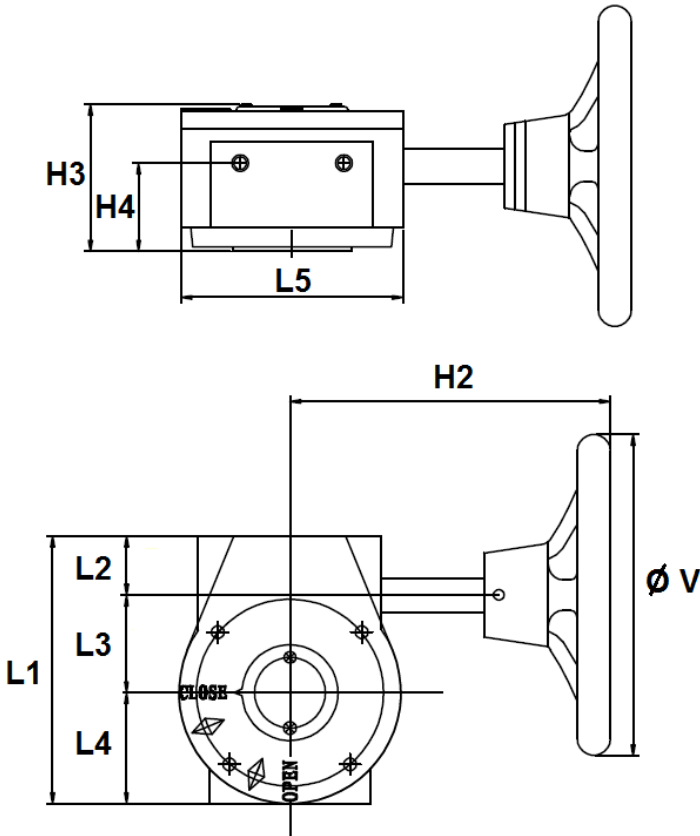
DN 80 – 200

DN 40 – 65

DN	40	50	65	80	100	125	150	200
Ø P	41.8	52.9	64.5	78.8	104	123.3	155.1	202.5
L	200	200	200	200	200	325	325	400
E	33	43	46	46	52	56	56	60
H1	43	43	43	43	43	43	43	46
H	74	74	74	74	74	75	75	75
B	120	140	150	158	176	190	211	235
A	57	65	75	93	108	125	135	170
F°	90°	90°	90°	45°	45°	45°	45°	30°
Weight (Kg)	2.25	2.75	3.4	4.2	5.4	7.3	8.7	13.9
Ref.	1177040	1177050	1177065	1177080	1177100	1177125	1177150	1177200

**CONCENTRIC WAFER BUTTERFLY VALVE PERFORMANCE RANGE DUCTILE IRON BODY
STAINLESS STEEL DISC AND NBR SEAT**

GEARBOX SIZE AND SPECIFICATIONS REF.1192 (in mm) :



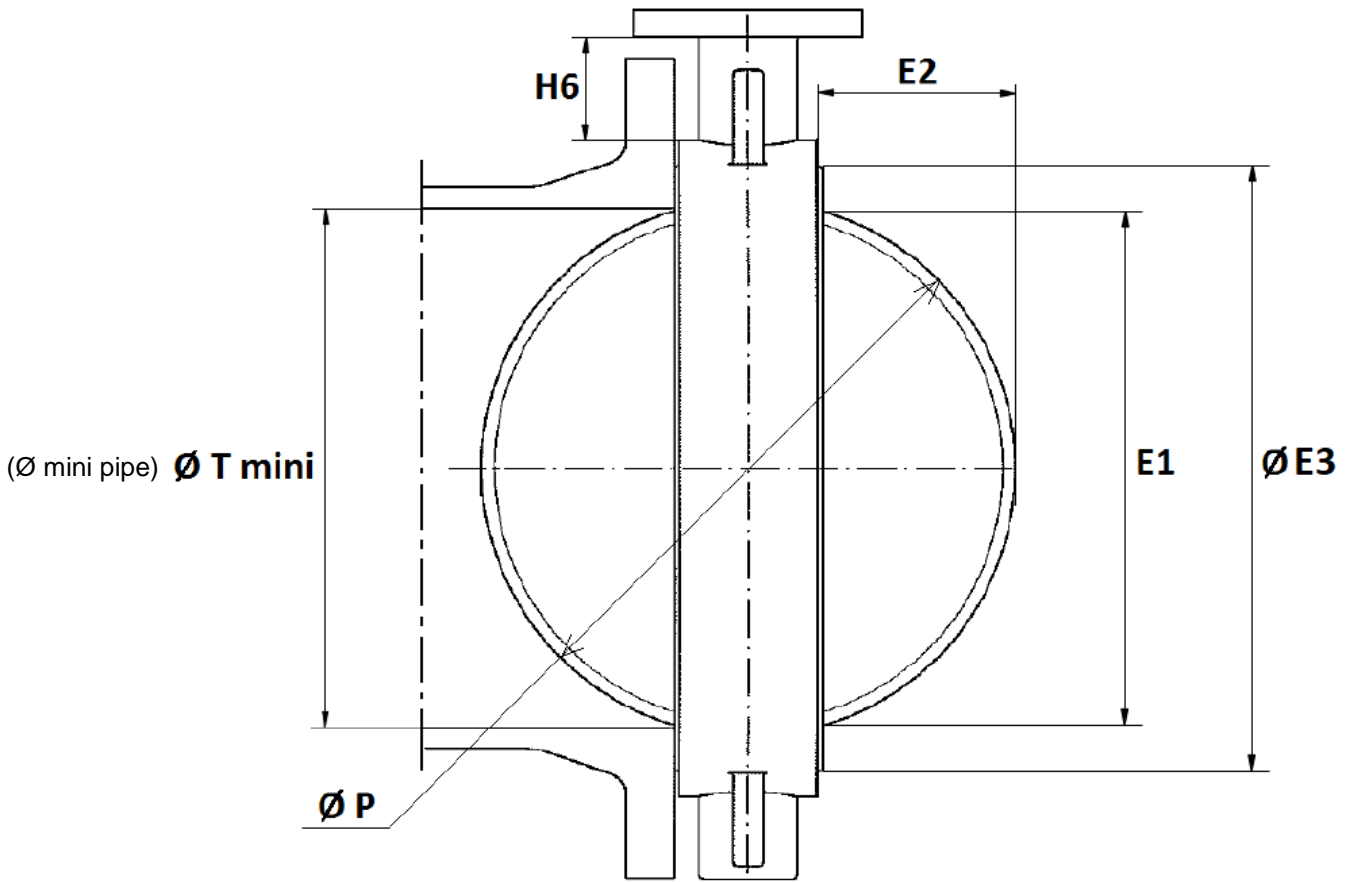
GEARBOX SPECIFICATIONS REF.1192:

DN	40 – 80	100	125 – 150	200
Ref.	1192001	1192002	1192003	1192004
Ratio factor	24 :1	24 :1	24 :1	32 :1
Number of turns for closing/opening	6	6	6	8
Output torque (Nm)	170	170	170	500

DN	40 – 80	100	125 – 150	200
Ø V	150	150	150	300
H2	156	156	156	220
H3	72	72	72	85
H4	43	43	43	45
L1	125	125	125	170
L2	30	30	30	33
L3	45	45	45	66
L4	50	50	50	71
L5	104	104	104	146
Weight (Kg)	3.8	3.8	3.8	8.1
Ref.	1192001	1192002	1192003	1192004

**CONCENTRIC WAFER BUTTERFLY VALVE PERFORMANCE RANGE DUCTILE IRON BODY
STAINLESS STEEL DISC AND NBR SEAT**

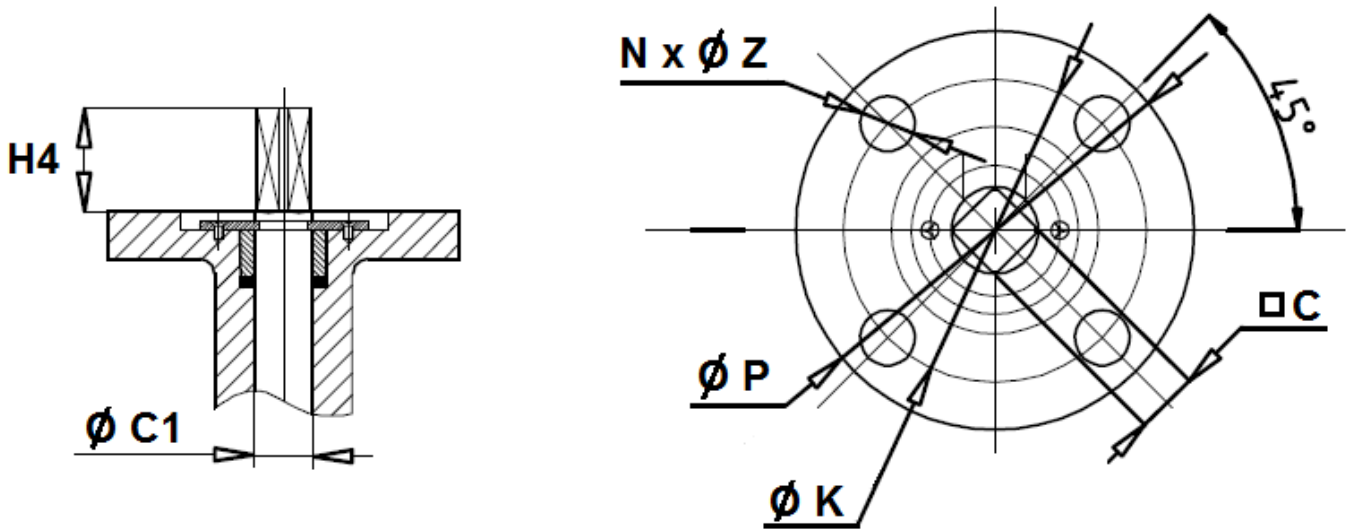
DISC AND NECK SIZE (in mm) :



DN	40	50	65	80	100	125	150	200
E1	38.2	46.6	59.5	75.4	98.2	117.1	147.8	195.3
E2	4.95	4.85	9.2	16.45	26.05	33.7	49.85	71.25
Ø E3 ±2	72	81	98	118	143	162	200	246
H6 ±2	68	82.5	78.8	81.5	85.5	88	90.5	89
Ø P	42.9	52.7	64.4	78.9	104.1	123.4	155.7	202.5
Ø T mini	43	53	65	79.5	104.5	124	155.5	202.5

**CONCENTRIC WAFER BUTTERFLY VALVE PERFORMANCE RANGE DUCTILE IRON BODY
STAINLESS STEEL DISC AND NBR SEAT**

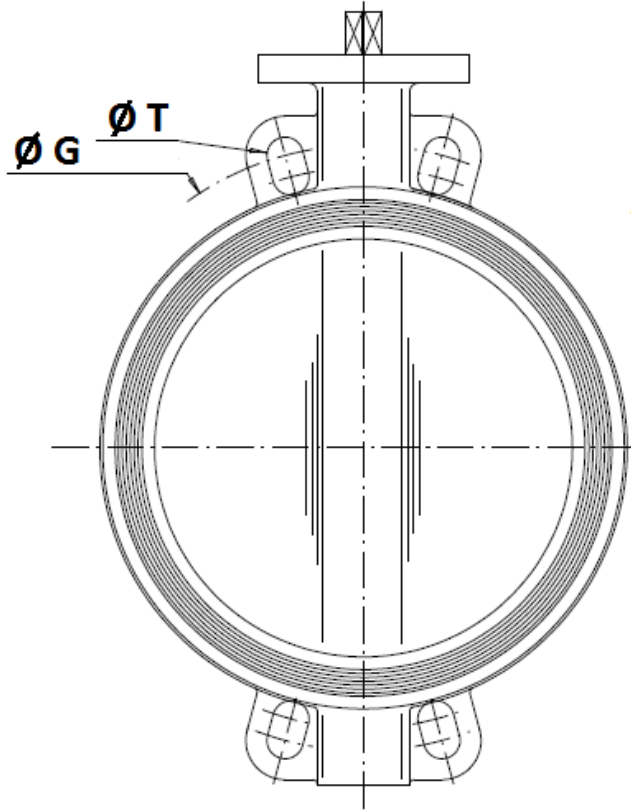
ISO MOUNTING PAD SIZE (in mm) :



DN	32-40	50	65	80	100	125	150	200
H4	42			43			45	
$\varnothing C1$	12.6				15.77	18.92	18.92	22.1
C	9				11	14		17
$\varnothing P$	88							125
$\varnothing K$	70							102
ISO	F07							F10
$N \times \varnothing Z$	4 x 10							4 x 12

**CONCENTRIC WAFER BUTTERFLY VALVE PERFORMANCE RANGE DUCTILE IRON BODY
STAINLESS STEEL DISC AND NBR SEAT**

BETWEEN FLANGES SIZE (in mm) :



(body with 8 flanges holes for DN80)

	DN (mm)	40	50	65	80	100	125	150	200
	NPS (")	1"1/2	2"	2"1/2	3"	4"	5"	6"	8"
PN10	Ø G	110	125	145	160	180	210	240	295
	Ø T	18	18	18	18	18	18	22	22
PN16	Ø G	110	125	145	160	180	210	240	295
	Ø T	18	18	18	18	18	18	22	22
Class 150	Ø G	98.5	120.6	139.7	152.4	190.5	215.9	241.3	298.5
	Ø T	16	19	19	19	19	22.4	22.4	22.4
JIS 10K	Ø G	105	120	140	150	175	210	240	290
	Ø T	19	19	19	19	19	23	23	23

**CONCENTRIC WAFER BUTTERFLY VALVE PERFORMANCE RANGE DUCTILE IRON BODY
STAINLESS STEEL DISC AND NBR SEAT**

STANDARDS :

- Manufacturer certified ISO 9001:2015
- Designing according to BS 5155
- DIRECTIVE 2014/68/EU : For liquids of Group 2
 - Article 4, §3 (SEP), no CE marking
- Certificate 3.1 on request
- Pressure tests according to EN 12266-1, Rate A
- Between flanges according to EN 1092-1 PN10/16
- ISO 5211 mounting pad
- Length according to ISO 5752 short series 20, EN 558 series 20 (NF 29305),BS 5155 Wafer short/medium, DIN 3202 part 3, series K1

ADVICE : Our opinion and our advice are not guaranteed and SFERACO shall not be liable for the consequences of damages. The customer must check the right choice of the products with the real service conditions.