

**CONCENTRIC LUG BUTTERFLY VALVE PERFORMANCE RANGE DUCTILE IRON BODY STAINLESS
STEEL DISC AND NBR SEAT**

Lug butterfly valve performance range for closing or setting networks of water, wasted water, grease, oil, glycol.
Ductile iron EN GJS-500-7 body, stainless steel disc and NBR seat.
Between flanges PN10 or PN16.
Handling possible with gearbox.
Thanks to the ISO 5211 plate, an actuator can be installed on the valve.

Certificate

3.1



Size : DN40 to DN200
Connection : Between flanges PN10/16
Min Temperature : -10°C
Max Temperature : +90°C
Max Pressure : 16 Bars
Specifications : Long neck for isolation
Stainless steel disc
Full crossing stem (up to DN65)
ISO 5211 mounting pad

Materials : Ductile iron EN GJS 500-7 body, NBR seat

**CONCENTRIC LUG BUTTERFLY VALVE PERFORMANCE RANGE DUCTILE IRON BODY STAINLESS
STEEL DISC AND NBR SEAT**

SPECIFICATIONS :

- Long neck for isolation
- ISO 5211 mounting pad
- Lug type
- Between flanges PN10/16
- Full crossing stem (up to DN65)
- Removable NBR seat
- 9 positions lever up to DN150 and 12 positions lever for DN200, with locking device
- Stainless steel disc
- Epoxy RAL 5005 electrostatic painting coated body, 250µ thickness

USE :

- Fluids : Water, wasted water, grease, oil, glycol and liquids of 2nd group
- Min and max Temperature Ts : - 10°C to + 90°C
- Max Pressure Ps : 16 bars
- For temporary using, can be used at the end of the pipe (6 bars max)
- For final using, can be used at the end of the pipe if assembled with a flange (10 bars max)

RANGE :

- With lever
- Possible with gearbox **Ref. 1192**

CONNECTION :

- Between flanges PN10/16

TORQUE VALUE (Nm, without safety coefficient) at 16 Bars :

DN	40	50	65	80	100	125	150	200
Torque (Nm)	11	15.1	17.2	23.1	39.8	61.9	102	192

TORQUE VALUE (Nm, without safety coefficient) at 10 Bars :

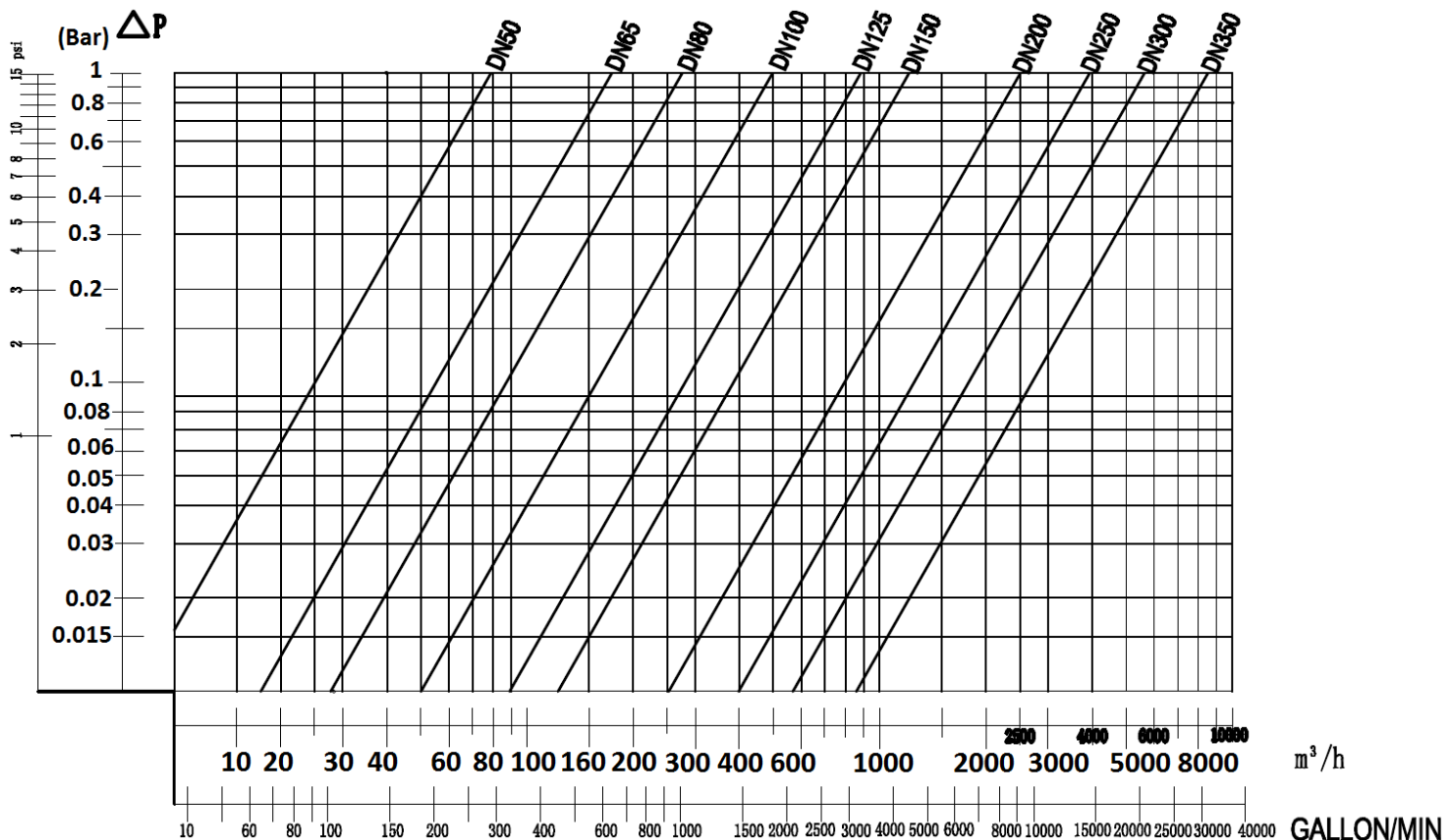
DN	40	50	65	80	100	125	150	200
Torque (Nm)	10.5	14.3	16.3	22	37.8	58.8	96.9	182.4

CONCENTRIC LUG BUTTERFLY VALVE PERFORMANCE RANGE DUCTILE IRON BODY STAINLESS STEEL DISC AND NBR SEAT

FLOW COEFFICIENTS K_v (m^3/h) :

Kv	OPENING ANGLE								
	10°	20°	30°	40°	50°	60°	70°	80°	90°
50	0,05	2,6	6,0	13	23	38	60	90	99
65	0,09	5	10	21	39	64	102	153	168
80	0,17	8	15	33	60	99	157	236	259
100	0,26	15	31	67	119	197	312	468	514
125	0,43	25	52	114	203	336	531	797	876
150	0,69	39	81	176	314	518	821	1231	1353
200	1,7	76	161	350	623	1030	1631	2446	2687

HEAD LOSS GRAPH :



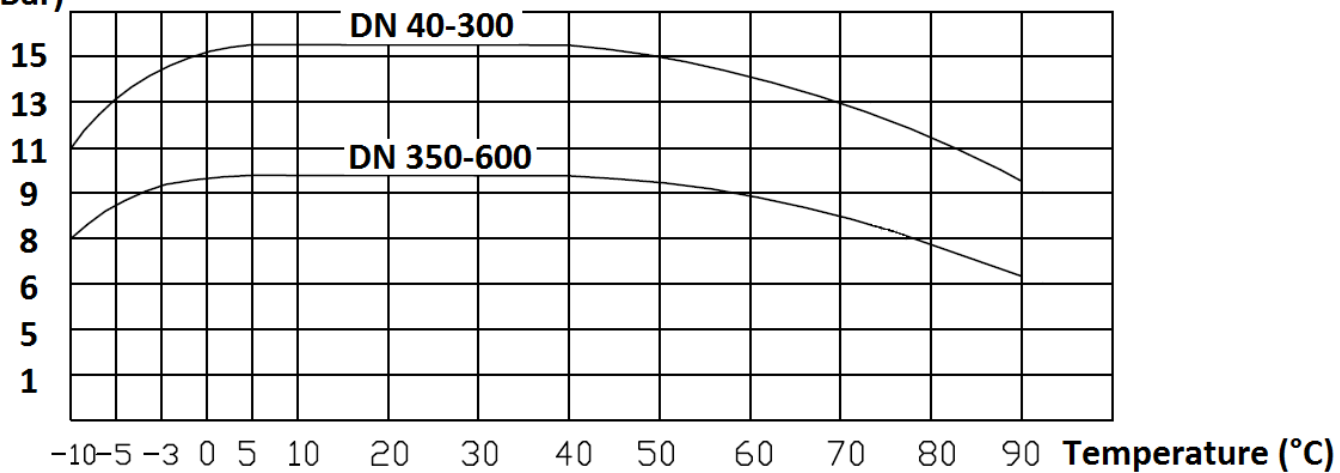


CONCENTRIC LUG BUTTERFLY VALVE PERFORMANCE RANGE DUCTILE IRON BODY STAINLESS STEEL DISC AND NBR SEAT

PRESSURE / TEMPERATURE GRAPH (STEAM EXCLUDED) :

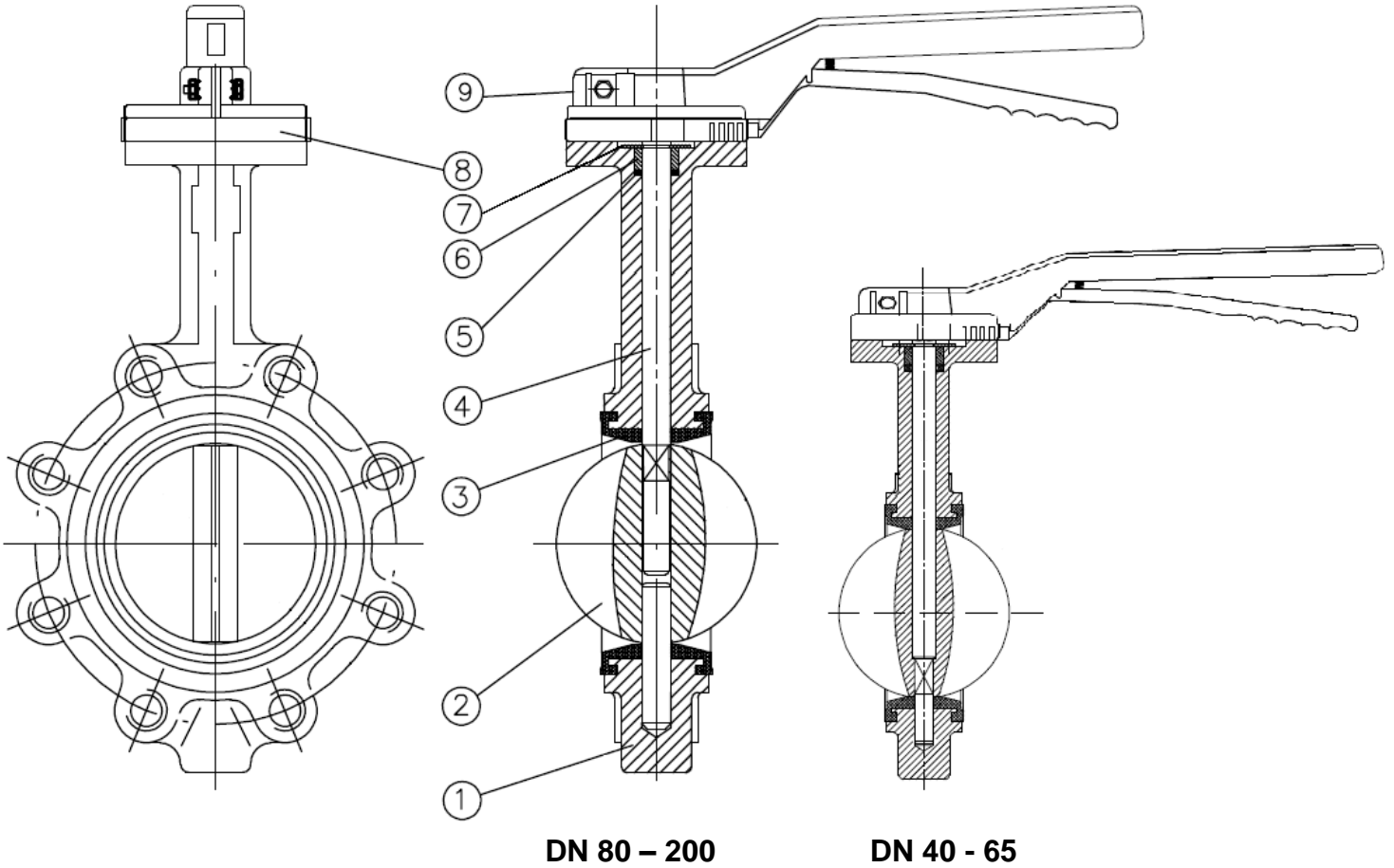
Pressure

(Bar)



CONCENTRIC LUG BUTTERFLY VALVE PERFORMANCE RANGE DUCTILE IRON BODY STAINLESS STEEL DISC AND NBR SEAT

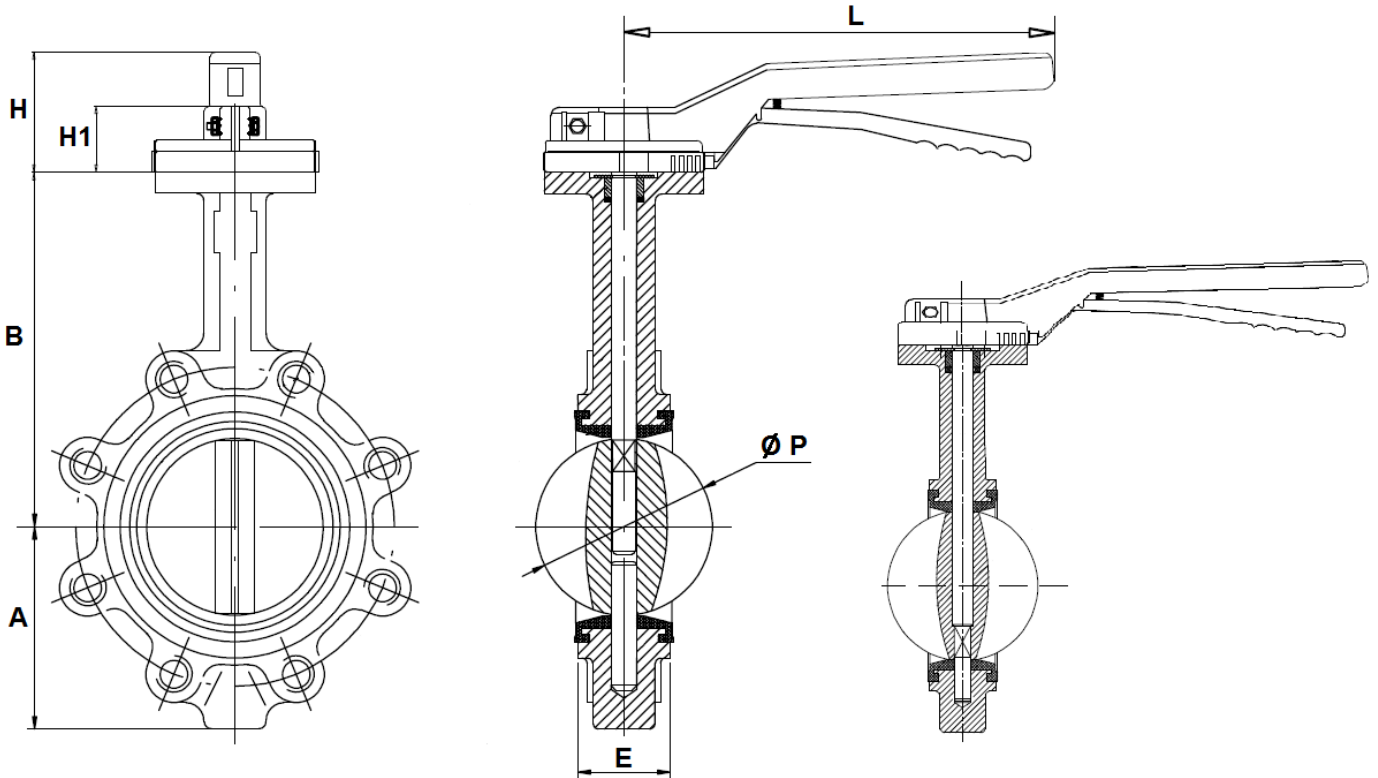
MATERIALS :



Item	Designation	Materials
1	Body	Ductile iron EN GJS-500-7
2	Disc	ASTM A351 CF8M
3	Seat	NBR
4	Stem	AISI 416
5	Gasket	NBR
6	Bushing	PTFE
7	Circlips	Steel
8	Plate	Aluminium
9	Lever	

CONCENTRIC LUG BUTTERFLY VALVE PERFORMANCE RANGE DUCTILE IRON BODY STAINLESS STEEL DISC AND NBR SEAT

VALVE SIZE (in mm) DN40-150 :



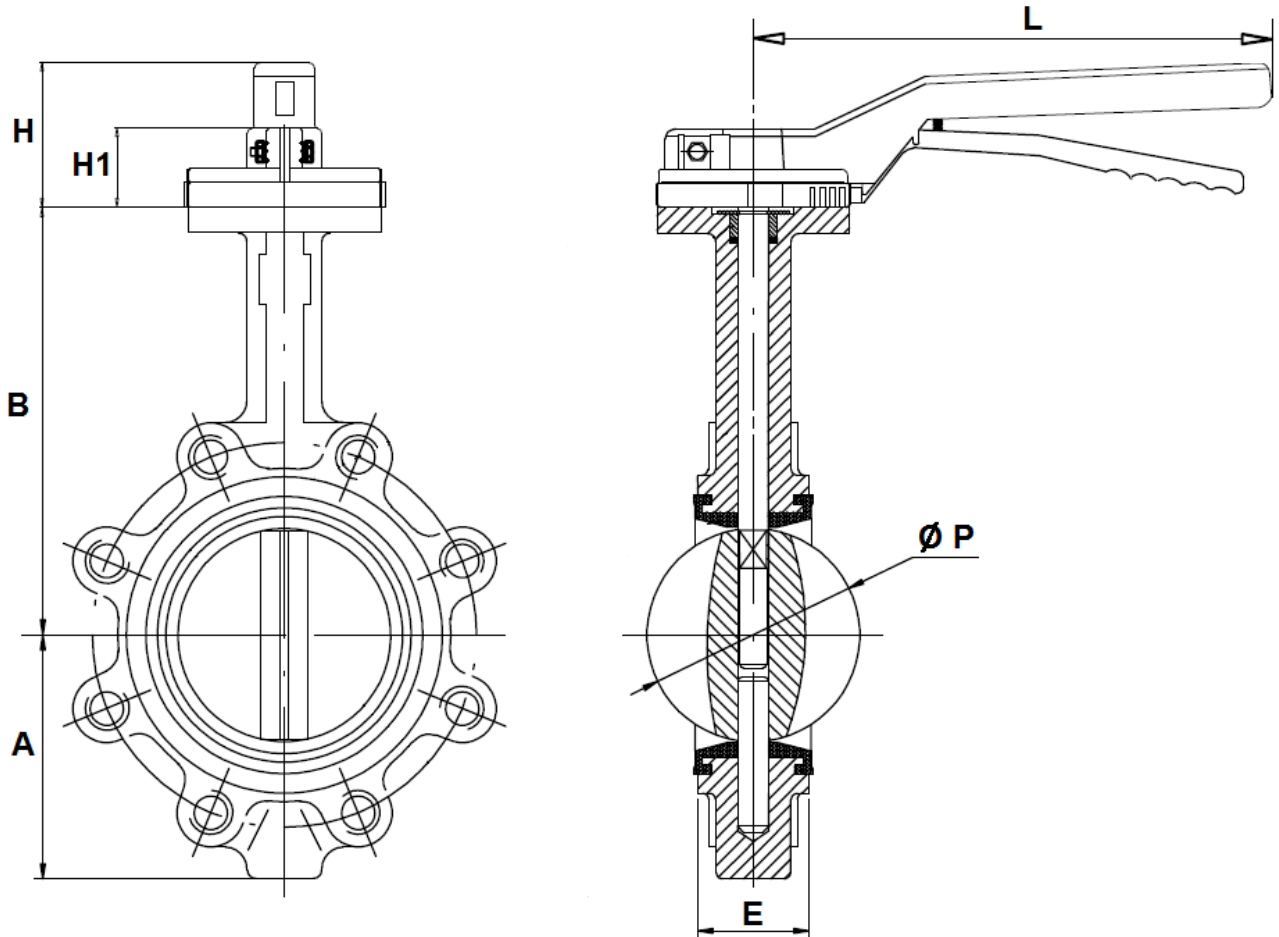
DN 80 – 150

DN 40 – 65

PN	PN10/16						
DN	40	50	65	80	100	125	150
Ø P	41.8	52.9	64.5	78.8	104	123.3	155.1
L	200	200	200	200	200	325	325
E	33	43	46	46	52	56	56
H1	43	43	43	43	43	43	43
H	74	74	74	74	74	75	75
B	120	140	150	158	176	190	211
A	57	80	89	95	114	127	139
Weight (Kg)	2.85	3.5	4.37	5.5	7.14	9.9	12
Ref.	1178040	1178050	1178065	1178080	1178100	1178125	1178150

CONCENTRIC LUG BUTTERFLY VALVE PERFORMANCE RANGE DUCTILE IRON BODY STAINLESS STEEL DISC AND NBR SEAT

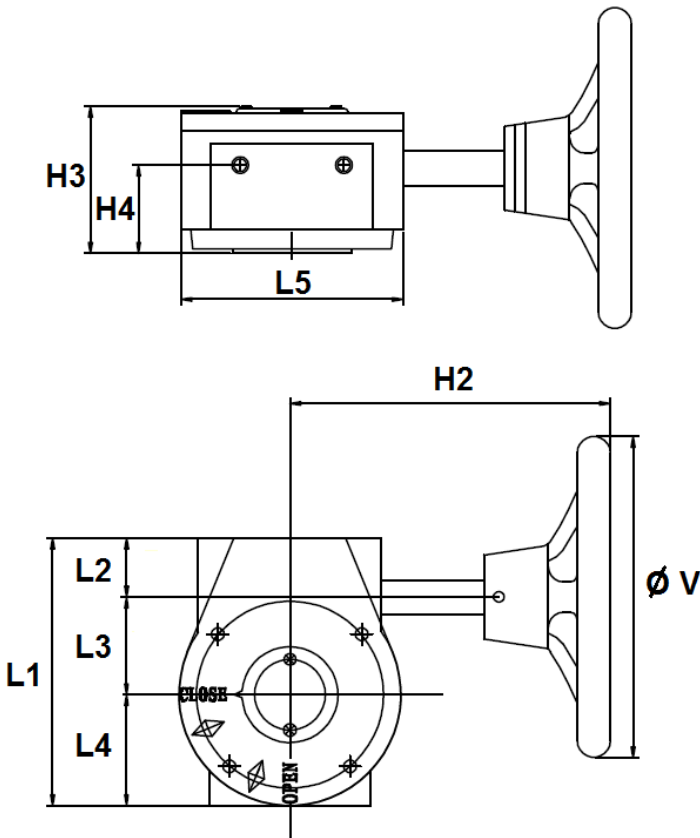
VALVE SIZE (in mm) DN200 :



PN	PN10	PN16
DN	200	
Ø P	202.5	
L	400	
E	60	
H1	46	
H	75	
B	235	
A	170	
Weight (Kg)	18.5	
Ref.	1178200	1178201

CONCENTRIC LUG BUTTERFLY VALVE PERFORMANCE RANGE DUCTILE IRON BODY STAINLESS STEEL DISC AND NBR SEAT

GEARBOX SIZE AND SPECIFICATIONS REF.1192 (in mm) :



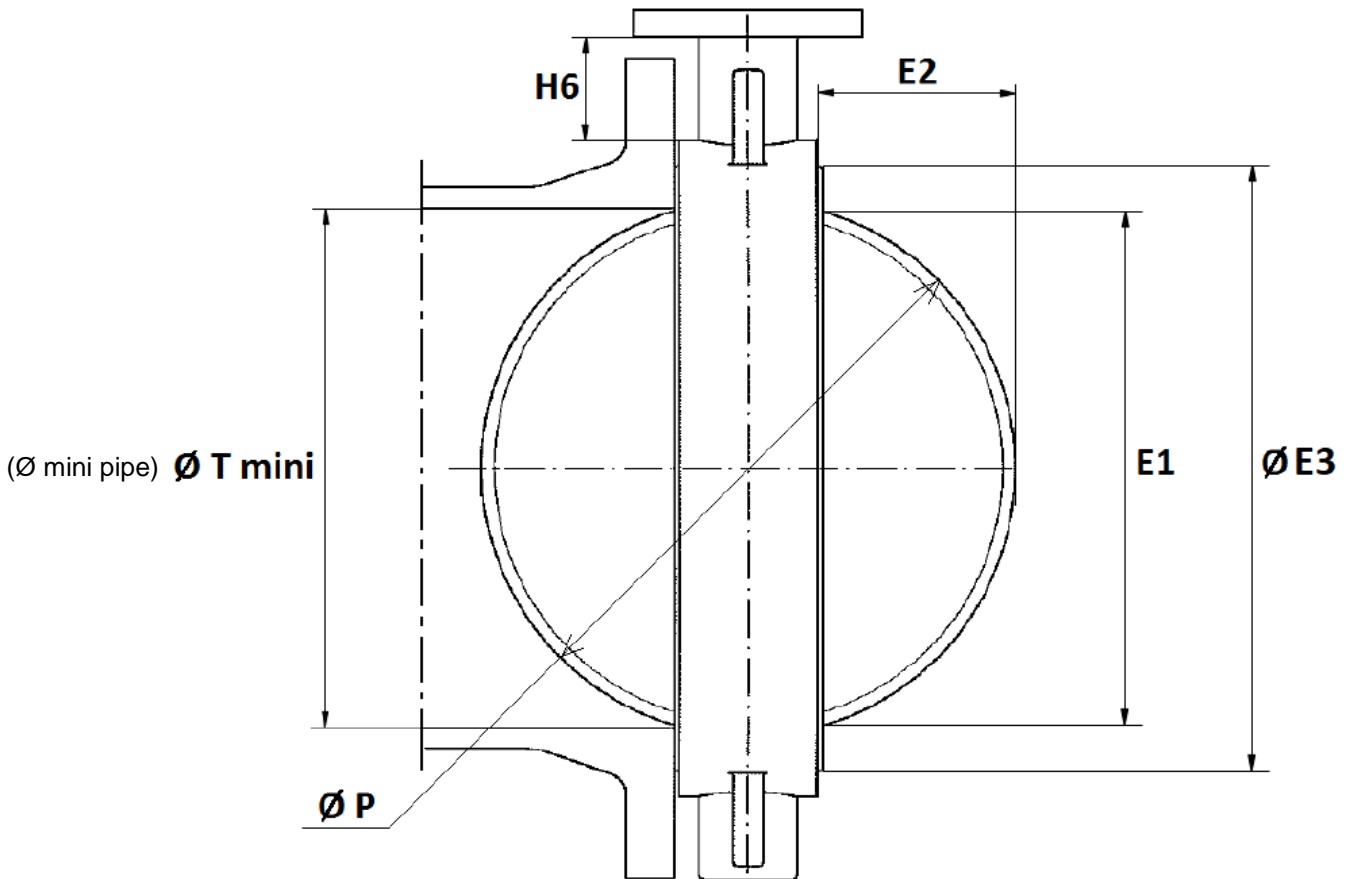
GEARBOX SPECIFICATIONS REF.1192:

DN	40 – 80	100	125 – 150	200
Ref.	1192001	1192002	1192003	1192004
Ratio factor	24 :1	24 :1	24 :1	32 :1
Number of turns for closing/opening	6	6	6	8
Output torque (Nm)	170	170	170	500

DN	40 – 80	100	125 – 150	200
Ø V	150	150	150	300
H2	156	156	156	220
H3	72	72	72	85
H4	43	43	43	45
L1	125	125	125	170
L2	30	30	30	33
L3	45	45	45	66
L4	50	50	50	71
L5	104	104	104	146
Weight (Kg)	3.8	3.8	3.8	8.1
Ref.	1192001	1192002	1192003	1192004

**CONCENTRIC LUG BUTTERFLY VALVE PERFORMANCE RANGE DUCTILE IRON BODY STAINLESS
STEEL DISC AND NBR SEAT**

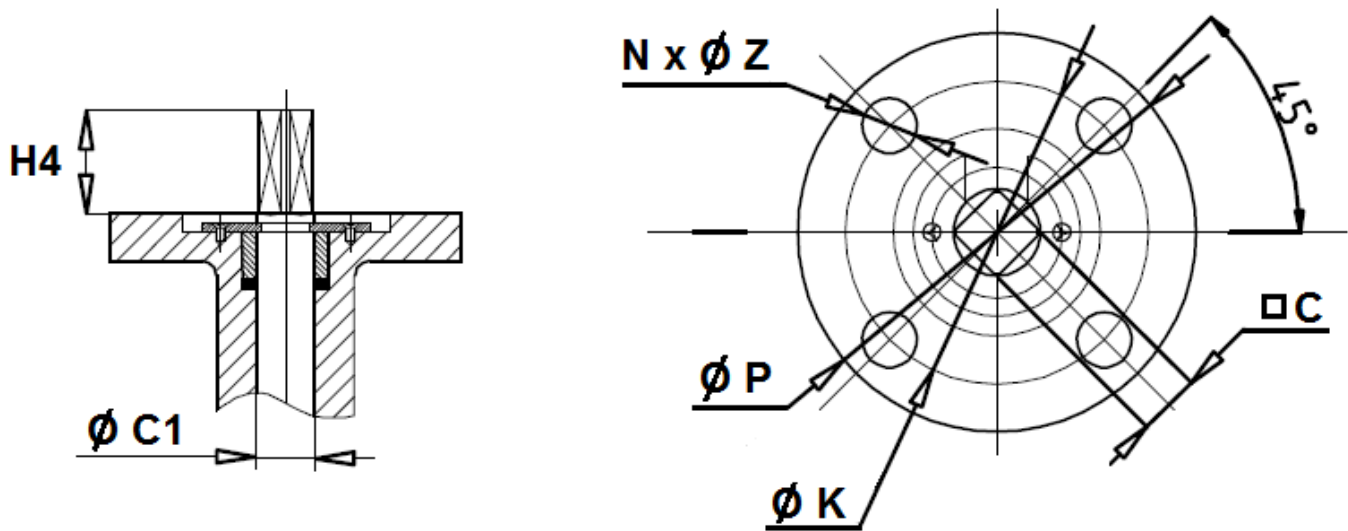
DISC AND NECK SIZE (in mm) :



DN	40	50	65	80	100	125	150	200
E1	38.2	46.6	59.5	75.4	98.2	117.1	147.8	195.3
E2	4.95	4.85	9.2	16.45	26.05	33.7	49.85	71.25
Ø E3 ±2	72	81	98	118	143	162	200	246
H6 ±2	68	82.5	78.8	81.5	85.5	88	90.5	89
Ø P	42.9	52.7	64.4	78.9	104.1	123.4	155.7	202.5
Ø T mini	43	53	65	79.5	104.5	124	155.5	202.5

CONCENTRIC LUG BUTTERFLY VALVE PERFORMANCE RANGE DUCTILE IRON BODY STAINLESS STEEL DISC AND NBR SEAT

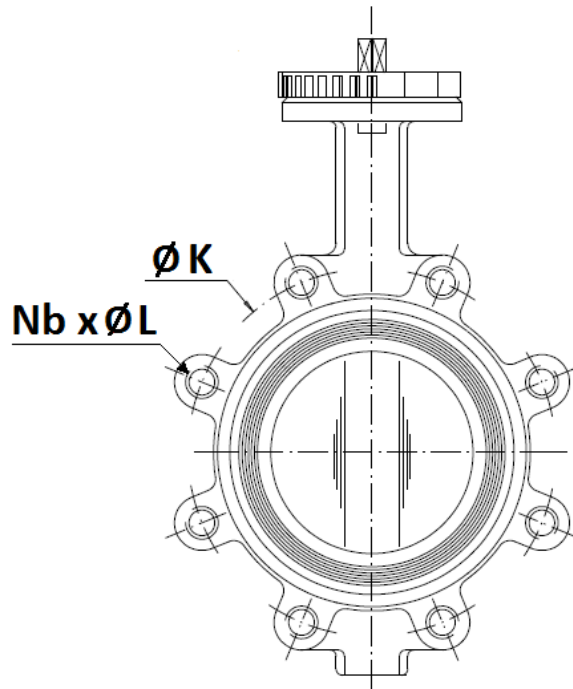
ISO MOUNTING PAD SIZE (in mm) :



DN	32-40	50	65	80	100	125	150	200	
H4	42			43			45		
Ø C1	12.6				15.77	18.92	18.92	22.1	
C	9				11	14		17	
Ø P	88							125	
Ø K	70							102	
ISO	F07							F10	
N x Ø Z	4 x 10							4 x 12	

CONCENTRIC LUG BUTTERFLY VALVE PERFORMANCE RANGE DUCTILE IRON BODY STAINLESS STEEL DISC AND NBR SEAT

BETWEEN FLANGES SIZE (in mm) :



	DN (mm)	40	50	65	80	100	125	150
	NPS (")	1"1/2	2"	2"1/2	3"	4"	5"	6"
PN10/16	$\varnothing K$	110	125	145	160	180	210	240
	Nb x $\varnothing L$	4 x M16			8 x M16			8xM20
	Ref.	1178040	1178050	1178065	1178080	1178100	1178125	1178150

	DN (mm)	200
	NPS (")	8"
PN10	$\varnothing K$	295
	Nb x $\varnothing L$	8 x M20
	Ref.	1178200

	DN (mm)	200
	NPS (")	8"
PN16	$\varnothing K$	295
	Nb x $\varnothing L$	12 x M20
	Ref.	1178201



**CONCENTRIC LUG BUTTERFLY VALVE PERFORMANCE RANGE DUCTILE IRON BODY STAINLESS
STEEL DISC AND NBR SEAT**

STANDARDS :

- Manufacturer certified ISO 9001:2015
- Designing according to BS 5155
- DIRECTIVE 2014/68/EU : For liquids of Group 2
 - Article 4, §3 (SEP), no CE marking
- Certificate 3.1 on request
- Pressure tests according to EN 12266-1, Rate A
- Between flanges according to EN 1092-1 PN10-PN16
- ISO 5211 mounting pad
- Length according to ISO 5752 short series 20, EN 558 series 20 (NF 29305),BS 5155 Wafer short/medium, DIN 3202 part 3, series K1

ADVICE : Our opinion and our advice are not guaranteed and SFERACO shall not be liable for the consequences of damages. The customer must check the right choice of the products with the real service conditions.