

**CONCENTRIC PTFE LUG BUTTERFLY VALVE EXCELLENCE RANGE TTV  
DUCTILE IRON BODY-CF8M DISC AND PTFE SEAT**

Lug butterfly valve TTV excellence range for corrosives fluids (acids...).

PTFE seat in accordance with the regulation (EC) N° 1935/2004., 5 years warranty.

Ductile iron EN GJS-500-7 body, stainless steel disc and PTFE seat.

Between flanges PN10/16 according to DN.

Compatible with explosive atmosphere, ATEX Zone 1&21 and Zone 2&22 on request.

Handling possible with stainless steel handle, gearbox or, chain gearbox and stem extension.

Thanks to the ISO 5211 plate and the square stem, an actuator can be installed direct on the valve (up to DN300).



- Size :** DN40 to DN300
- Connection :** Between flanges PN10/16
- Min Temperature :** -25°C
- Max Temperature :** +200°C
- Max Pressure :** 16 Bars up to DN150
- Specifications :** Long neck for isolation  
2 parts body  
ISO 5211 direct mounting pad

**Materials :** Ductile iron GJS 500-7, CF8M disc and PTFE seat

\*the installation defects and wear defects are not covered by the guarantee

**CONCENTRIC PTFE LUG BUTTERFLY VALVE EXCELLENCE RANGE TTV  
DUCTILE IRON BODY-CF8M DISC AND PTFE SEAT**

**SPECIFICATIONS :**

- Long neck for isolation
- ISO 5211 mounting pad
- Lug type
- Between flanges PN10/16 up to DN150, PN10 over
- 2 parts body
- Full crossing stem
- PTFE seat 3 mm thickness with silicone elastic gasket 6 mm thickness
- Stainless steel disc
- 9 positions lever with locking device up to DN200
- Rilsan coated body color RAL 5024 , 250-300 microns thickness
- Stem extension 75 mm length ( option )
- Square lever 30x30 mm for special key ( option )

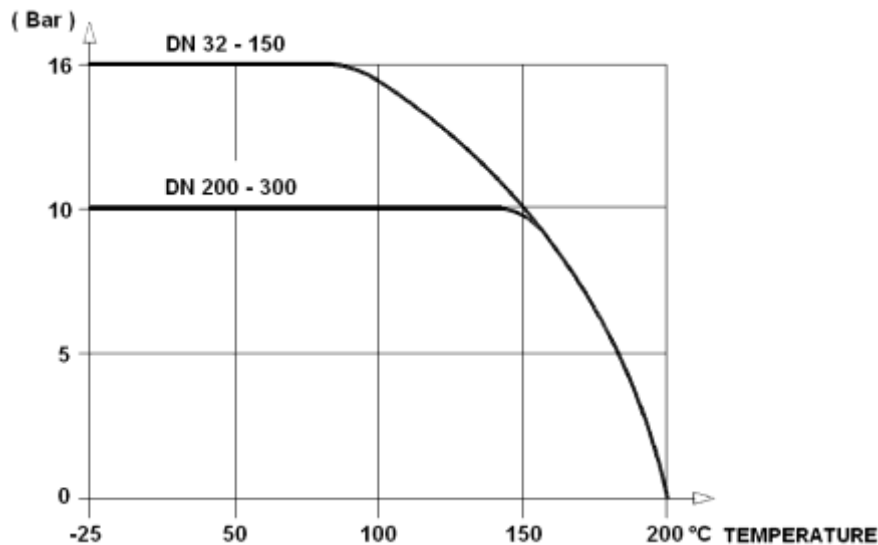
**USE :**

- For corrosives fluids ( acids ... )
- Min and max Temperature Ts : - 25°C to + 200°C
- Max Pressure Ps : 16 bars up to DN150, 10 bars over ( see graph under )
- Not for vacuum

**RANGE :**

- With lever from DN 32/40 to DN 200
- With IP65 gear box from DN 250 to DN 300 ( possible from DN 32/40 to DN200 : **Ref. 1197** )
- IP65 chain gear box possible ( **Ref. 1194** ) from DN 32/40 to DN 300
- On request , stem extension with special length ( **Ref. 98665** )
- On request, stainless steel lever and bolting ( **Ref. 9831250-9831264** )

**PRESSURE / TEMPERATURE GRAPH ( STEAM EXCLUDED ) :**



**CONNECTION :**

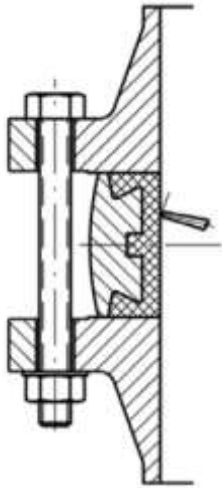
- Between flanges PN10/16 up to DN150, PN10 over

**CONCENTRIC PTFE LUG BUTTERFLY VALVE EXCELLENCE RANGE TTV  
DUCTILE IRON BODY-CF8M DISC AND PTFE SEAT**

**TORQUE VALUES ( in Nm with safety coefficient of 30 % included ) at 10 Bars :**

DN	32/40	50	65	80	100	125	150	200	250	300
Torque ( Nm )	25	40	45	75	90	160	180	230	475	680

**MAXIMUM TIGHTENING TORQUES FOR BOLTING FLANGES :**



		Maximum torques (Nm)			
		5,6 / A307 Gr.B	8,8 / A193 B7	10,9	12,9
Bolting DN	Bolting types				
	M12 (1/2")	41,16	84,28	117,6	142,1
	M14 (9/16")	66,64	132,3	186,2	225,4
	M16 (5/8")	102,9	205,8	289,1	347,9
	M18 (3/4")	142,1	284,2	396,9	475,3
	M20 (3/4")	196	401,8	568,4	676,2
	M22 (7/8")	259,7	539	764,4	911,4
	M24 (1")	338,1	695,8	980	1176
	M27 (1"1/8)	499,8	1029	1470	1764
M30 (1"1/4)	666,4	1421	1960	2352	

**CONCENTRIC PTFE LUG BUTTERFLY VALVE EXCELLENCE RANGE TTV  
DUCTILE IRON BODY-CF8M DISC AND PTFE SEAT**

**FLOW COEFFICIENT Kv ( m3 / h ) :**

DN	Opening Angle								
	10°	20°	30°	40°	50°	60°	70°	80°	90°
32-40	3	5	10	16	22	31	36	36	36
50	3	7	15	33	44	48	54	54	54
65	6	10	21	40	57	86	102	102	102
80	7	16	37	56	84	182	246	246	246
100	9	22	51	88	134	187	255	336	336
125	21	33	91	153	232	331	468	560	560
150	45	69	149	281	302	597	822	1015	1072
200	55	131	254	420	631	904	1388	1758	1758
250	64	246	442	710	1056	1522	2128	3096	3096
300	100	275	472	953	1450	2093	2972	4193	4480

**HEAD LOSS CALCULATIONS :**

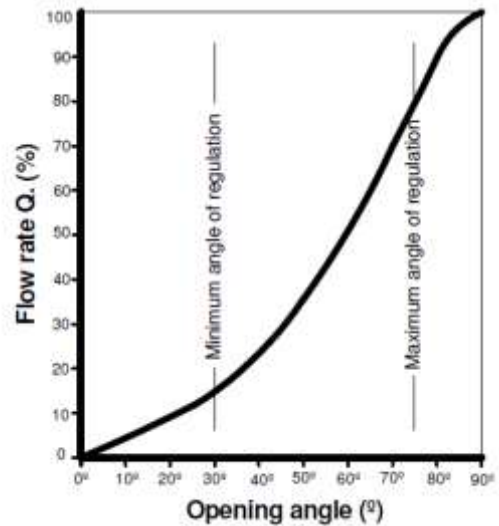
$\Delta p = ( Q / Kv )^2 \times SG$

Q : flow in m<sup>3</sup>/h

$\Delta p$  : Head loss in bar

SG : Specific gravity (= 1 for water)

Kv : Volume of water in m<sup>3</sup>/h, that will flow through a given restriction or valve opening with a pressure drop of 1 bar at 20°C)

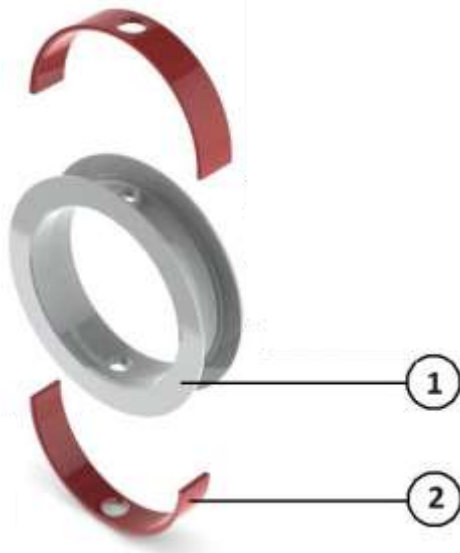


**CONCENTRIC PTFE LUG BUTTERFLY VALVE EXCELLENCE RANGE TTV  
DUCTILE IRON BODY-CF8M DISC AND PTFE SEAT**

REPAIRABILITY :



**SEAT AND INSERT**



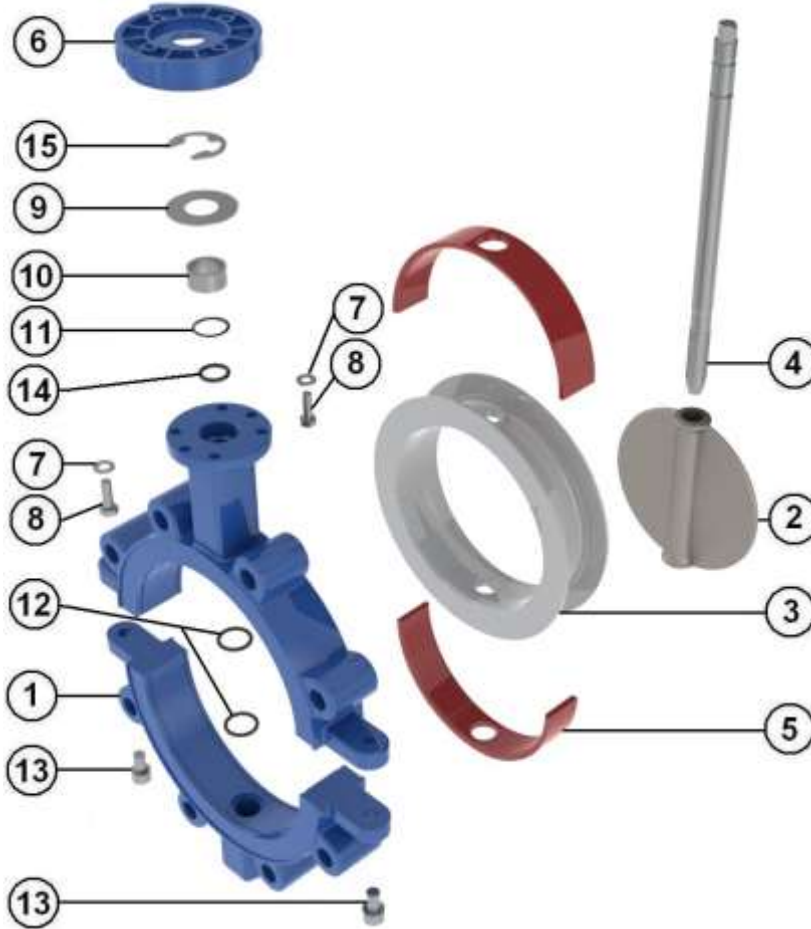
**HANDLE**



	DN	40	50	65	80	100	125	150	200	250	300
<b>Seat (1)</b>	Ref.	9831380	9831381	9831382	9831383	9831384	9831385	9831386	9831387	9831388	9831389
<b>Kit of 2 inserts (2)</b>	Ref.	9831390	9831391	9831392	9831393	9831394	9831395	9831396	9831397	9831398	9831399
<b>Handle</b>	Ref.	9831331		9831332	9831333		9831334		9831335	9831336	9831337

**CONCENTRIC PTFE LUG BUTTERFLY VALVE EXCELLENCE RANGE TTV  
DUCTILE IRON BODY-CF8M DISC AND PTFE SEAT**

**MATERIALS :**



Item	Designation	Materials
1	Body	Ductile iron EN GJS-500-7 rilsan coated color RAL 5024 250-300 μ thickness
2	Disc	ASTM A351 CF8M
3	Seat	PTFE
4	Stem DN 40-50 and 150 - 300	SS 17 4-PH ( 630 )
4	Stem DN 65 – 125	AISI 316
5	Insert	Silicone
6	Plate	Aluminium
7	Washer	A4
8	Plate screw	
9	Ring	AISI 316
10	Socket	
11	O ring	FKM
12	O ring	
13	Screw	A4
14	O ring	FKM
15	Circlips	AISI 316
	Handle	Aluminium ADC10 with epoxy painting 50μ thickness

**CONCENTRIC PTFE LUG BUTTERFLY VALVE EXCELLENCE RANGE TTV  
 DUCTILE IRON BODY-CF8M DISC AND PTFE SEAT**

GEARBOX MATERIALS REF. 1197 :

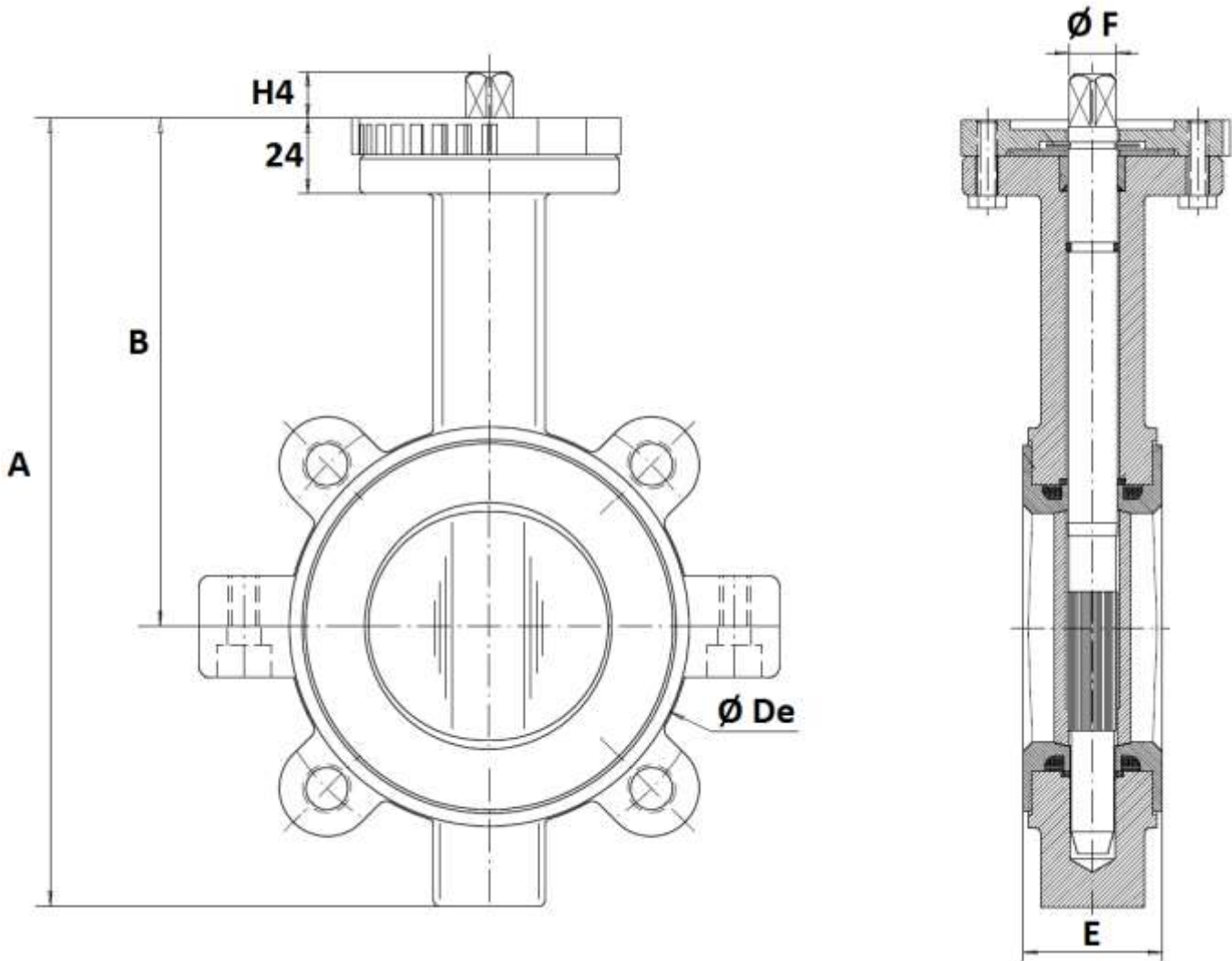


Item	Designation	Materials Ref. 1197
1	Screw	AISI 304
2	Indicator	PVC
3	Cover	Aluminium
4	O ring	NBR
5	Pin	Carbon steel
6	Quadrant	Ductile iron EN GJS-400-15
7	Gasket	NBR
8	Body	Aluminium
9	Adjusting bolt	Carbon steel
10	Washer	Galvanized steel
11	Nut	Galvanized steel
12	Cap	NBR 70
13	Bushing	Bronze
14	Worm	Carbon steel 45
15	Gasket	NBR
16	Shaft	Carbon steel 45
17	Handwheem	Carbon steel
18	Pin	Carbon steel

**CONCENTRIC PTFE LUG BUTTERFLY VALVE EXCELLENCE RANGE TTV  
 DUCTILE IRON BODY-CF8M DISC AND PTFE SEAT**

**SIZE ( in mm ) :**

- Valves DN 40 – 65 :



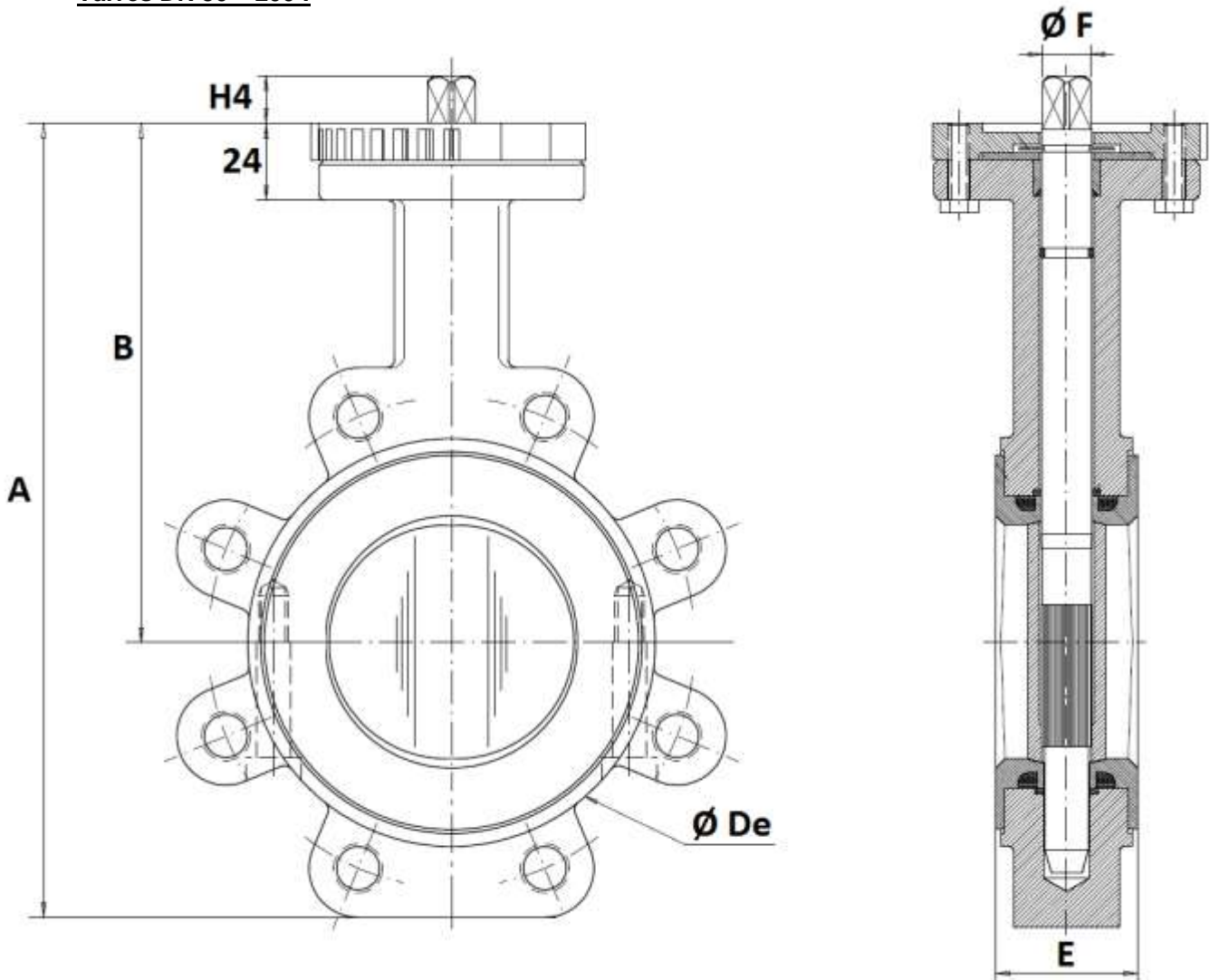
DN	40	50	65
A	205	226	242
B	140	156	161
Ø De	82	103	116
E	33	43	46
Ø F	9.5	9.5	12
H4	14	14	16
Weight (Kg)	3	4	5



**CONCENTRIC PTFE LUG BUTTERFLY VALVE EXCELLENCE RANGE TTV  
 DUCTILE IRON BODY-CF8M DISC AND PTFE SEAT**

SIZE ( in mm ) :

- Valves DN 80 – 200 :

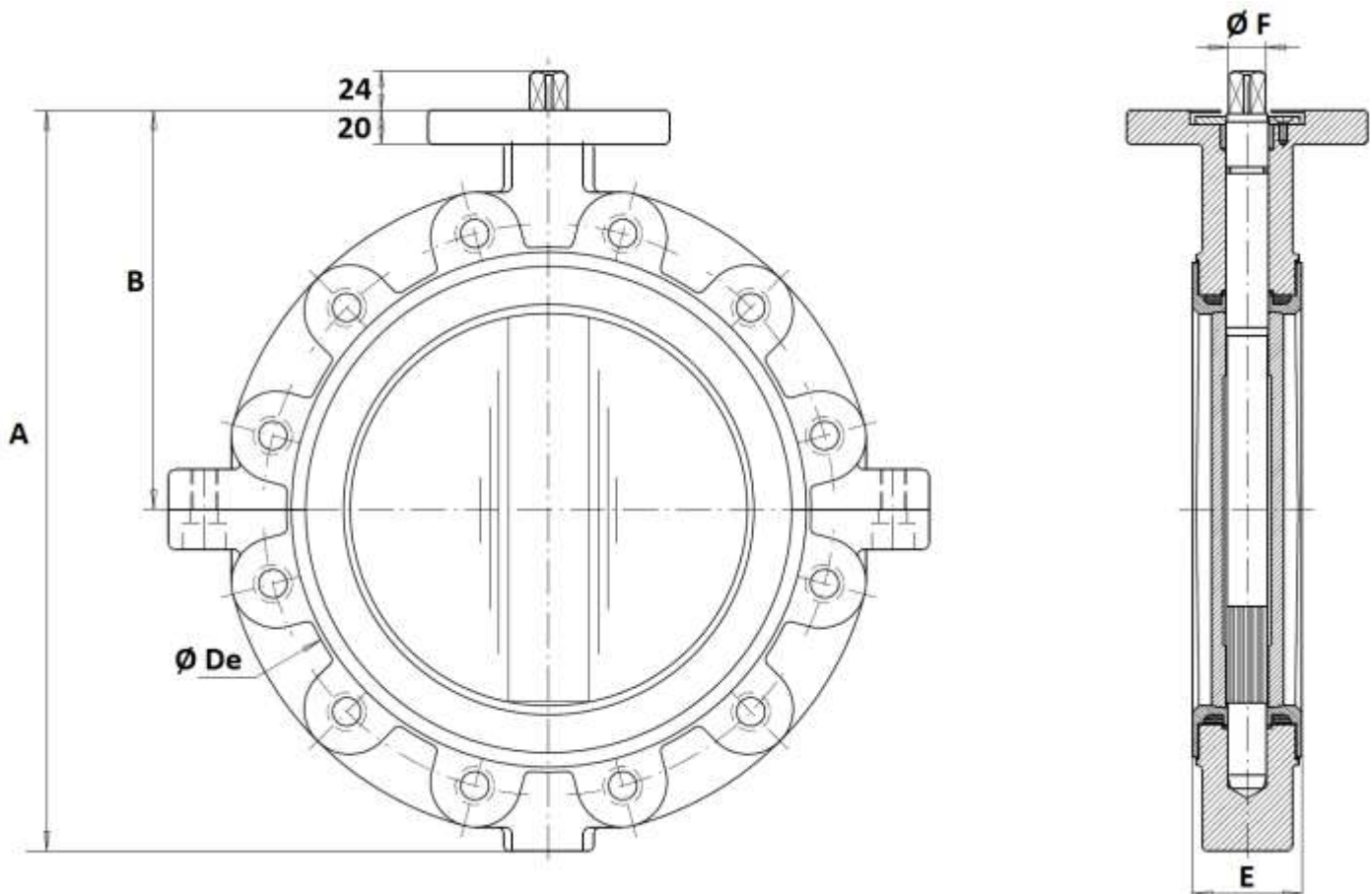


DN	80	100	125	150	200
A	257	288	325	346	437
B	167	184	207	215	257
Ø De	134	153	185	208	270
E	47	52	56	56	60
Ø F	14	14	17	17	21
H4	16	20	20	20	24
Weight (Kg)	6.5	8	11	13	22

**CONCENTRIC PTFE LUG BUTTERFLY VALVE EXCELLENCE RANGE TTV  
 DUCTILE IRON BODY-CF8M DISC AND PTFE SEAT**

SIZE ( in mm ) :

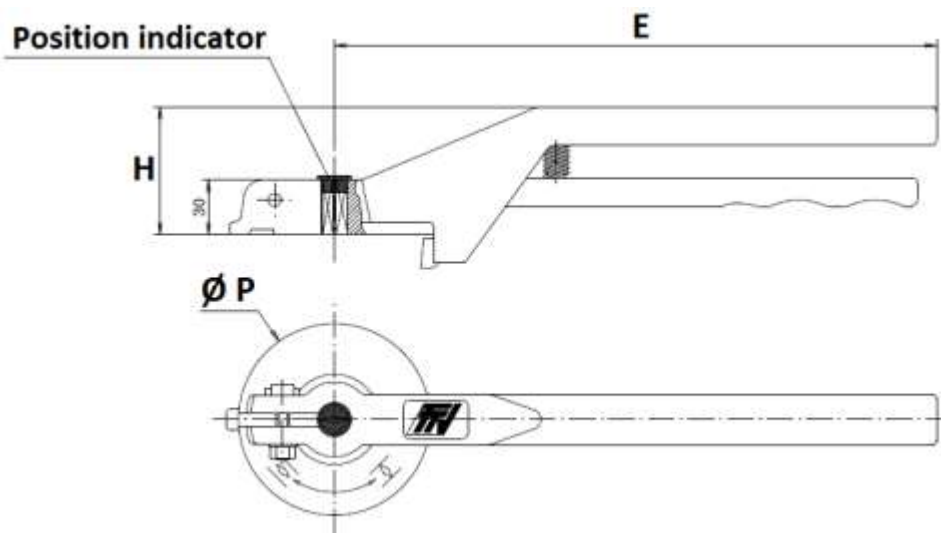
- Valves DN 250 – 300 :



DN	250	300
A	448	514
B	248	280
Ø De	320	373
E	68	78
Ø F	23	26.5
Weight (Kg)	37	58

**CONCENTRIC PTFE LUG BUTTERFLY VALVE EXCELLENCE RANGE TTV  
DUCTILE IRON BODY-CF8M DISC AND PTFE SEAT**

LEVERS SIZE DN 32 - 200 ( in mm ) :

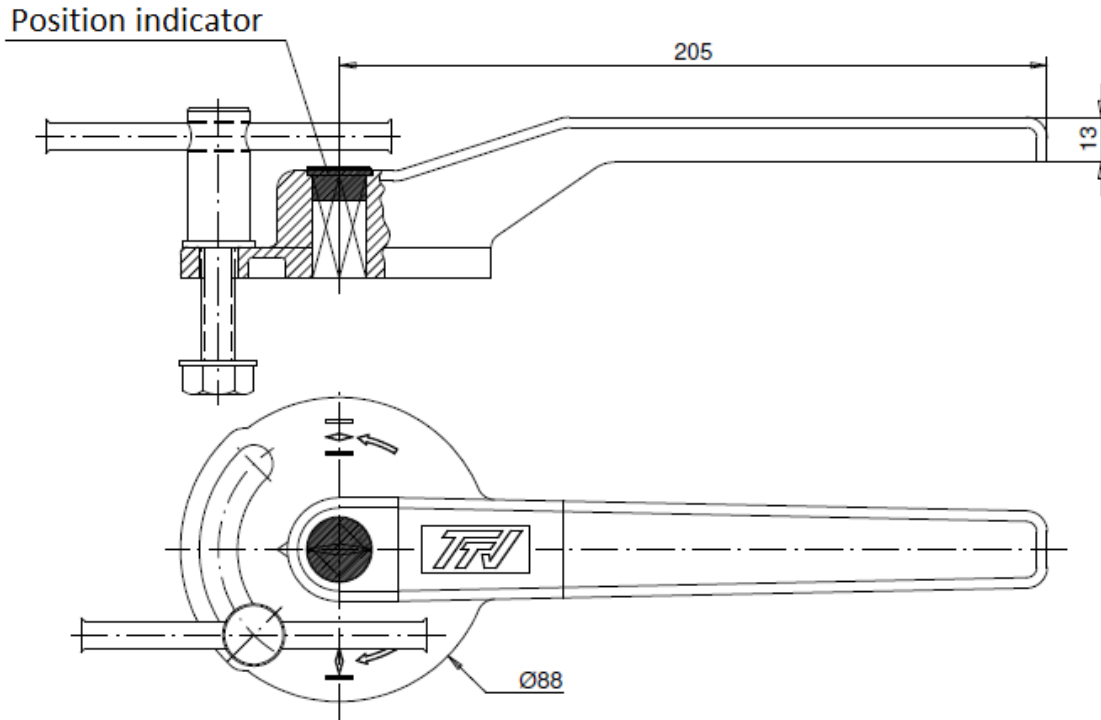


DN	32-100	125-200
E	205	330
H	57	70
Ø P	88	105

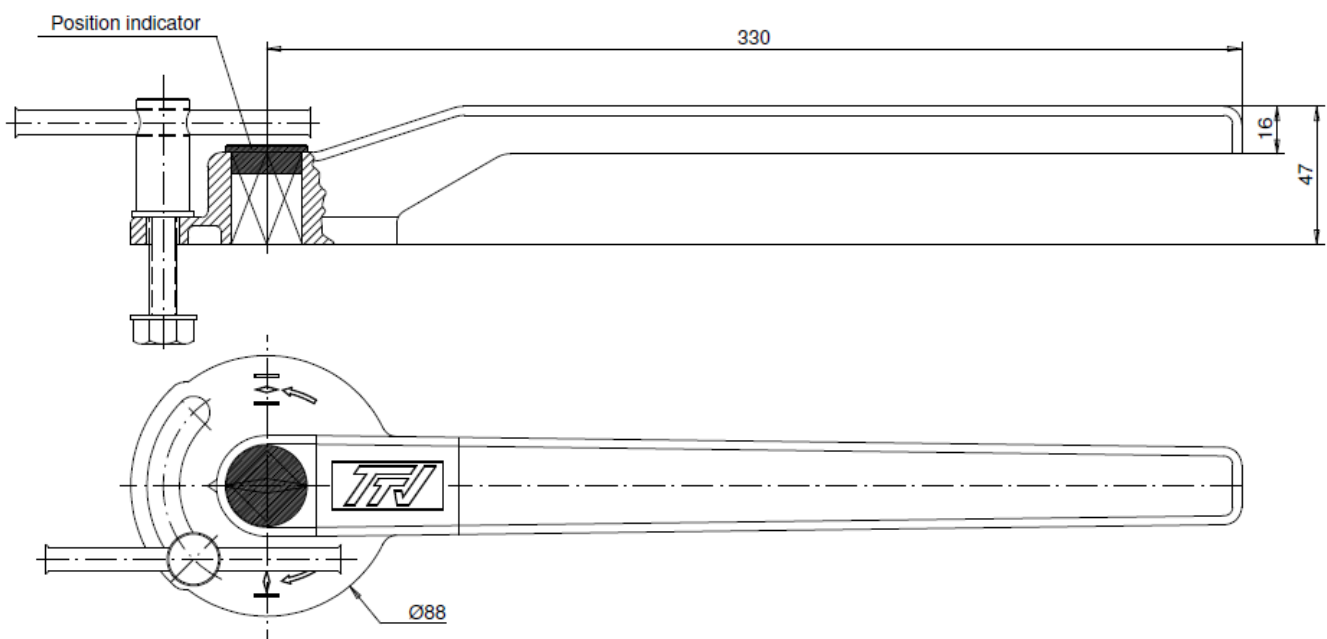
**CONCENTRIC PTFE LUG BUTTERFLY VALVE EXCELLENCE RANGE TTV  
 DUCTILE IRON BODY-CF8M DISC AND PTFE SEAT**

**ASTM A351 CF8M STAINLESS STEEL LEVERS SIZE ( in mm ) ( ON REQUEST ) :**

**DN 40 - 100**



**DN 125 - 200**

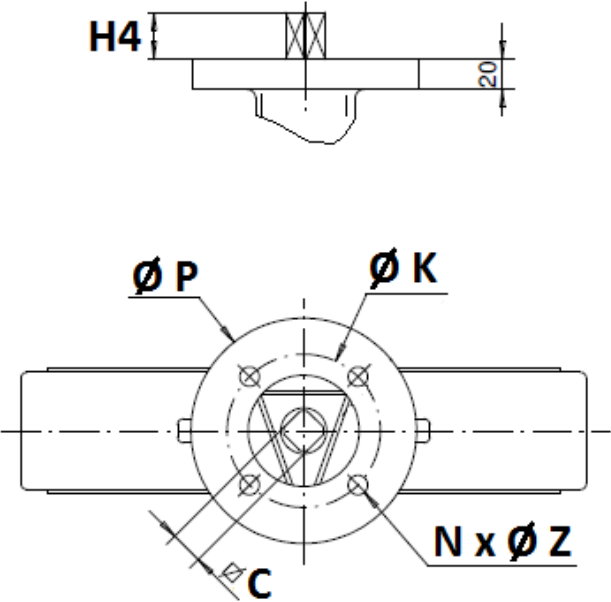
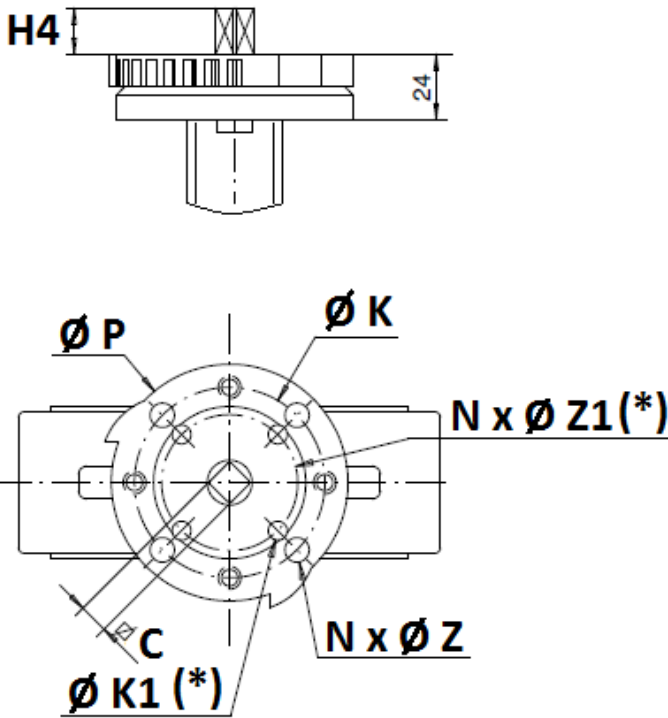


**CONCENTRIC PTFE LUG BUTTERFLY VALVE EXCELLENCE RANGE TTV  
DUCTILE IRON BODY-CF8M DISC AND PTFE SEAT**

**ISO PLATE AND STEM SIZE ( in mm ) :**

**DN 40 - 200**

**DN 250 – 300**

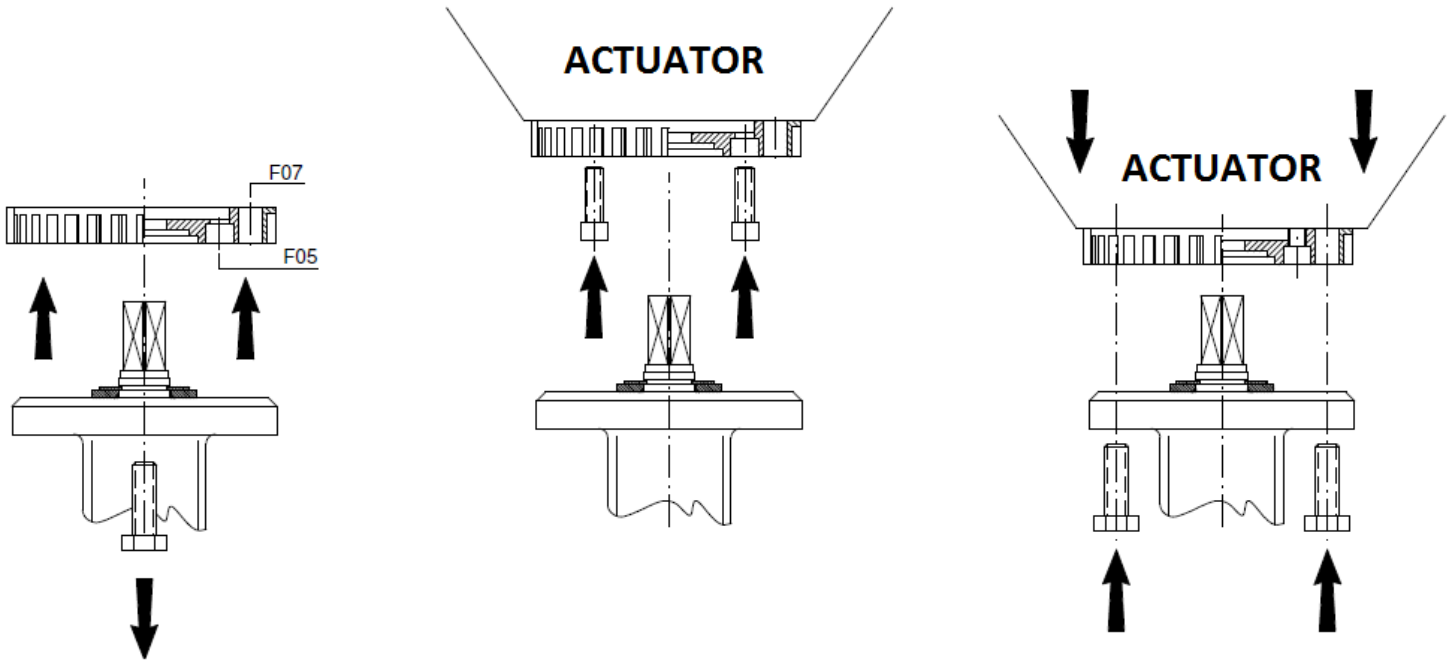


(\*) : Only from DN32 to DN100 (see installation with ISO plate F05 next page)

DN	32/40	50	65	80	100	125	150	200	250	300
H4	14	14	16	16	20	20	20	24	24	24
C	8	8	9	11	11	14	14	17	19	22
Ø K	70	70	70	70	70	70	70	70	102	102
ISO	F07	F07	F07	F07	F07	F07	F07	F07	F10	F10
N x Ø Z	4 x 9	4 x 9	4 x 9	4 x 9	4 x 9	4 x 9	4 x 9	4 x 9	4 x 11	4 x 11
Ø K1	50	50	50	50	50	-	-	-	-	-
ISO 1	F05	F05	F05	F05	F05	-	-	-	-	-
N x Ø Z1	4 x 7	4 x 7	4 x 7	4 x 7	4 x 7	-	-	-	-	-
Ø P	88	88	88	88	88	105	105	105	150	150

**CONCENTRIC PTFE LUG BUTTERFLY VALVE EXCELLENCE RANGE TTV  
DUCTILE IRON BODY-CF8M DISC AND PTFE SEAT**

**ISO PLATE INSTALLATION FOR DN32-100 ISO F05 :**



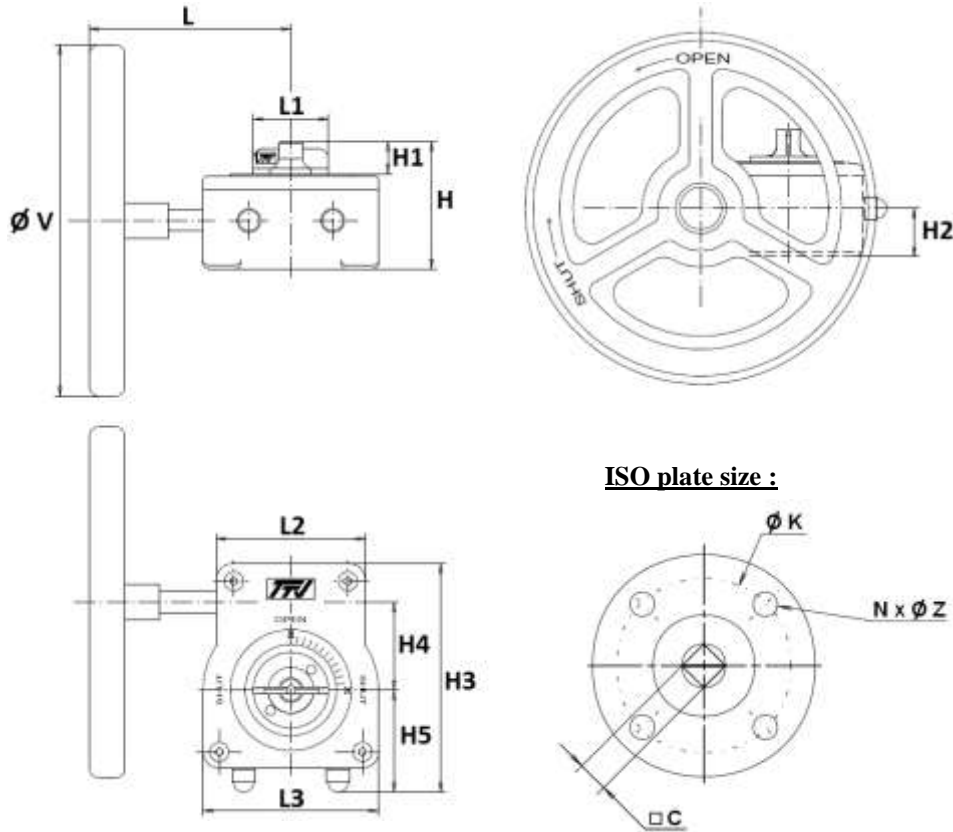
Unscrew and remove the flange

Screw the flange to the actuator with hexagon socket screws

Screw the valve to the flange

**CONCENTRIC PTFE LUG BUTTERFLY VALVE EXCELLENCE RANGE TTV  
DUCTILE IRON BODY-CF8M DISC AND PTFE SEAT**

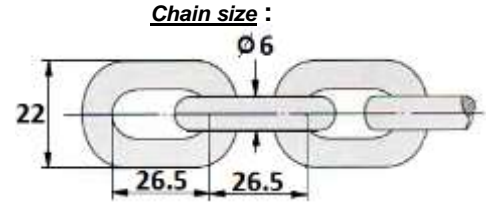
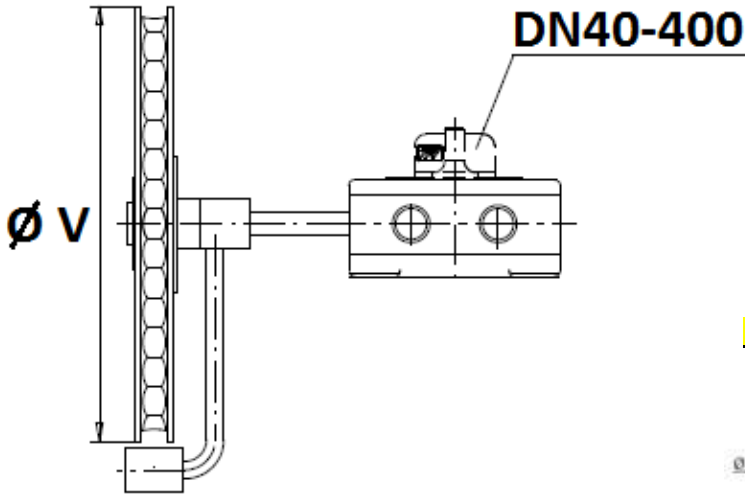
**GEARBOX SIZE REF.1197 DN32-400 ( in mm ) :**



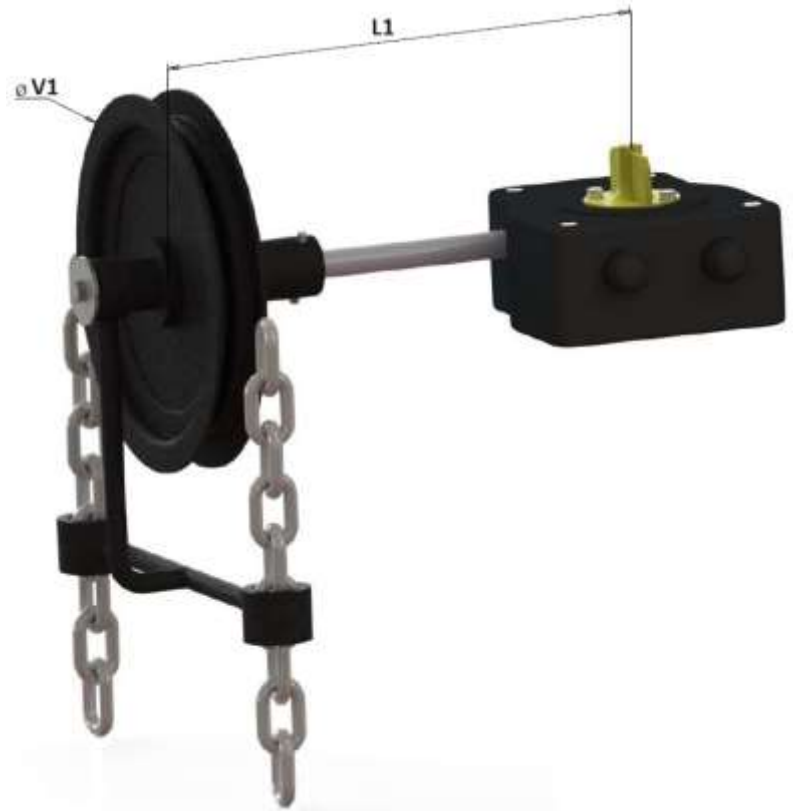
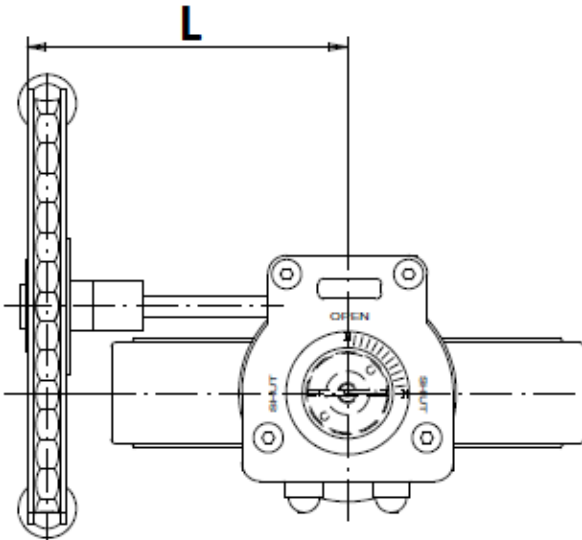
DN	32/50	65	80/100	125/150	200	250	300
L	115	115	115	115	115	223.5	223.5
L1	43	43	43	43	43	55	55
L2	85	85	85	85	85	110	110
L3	100	100	100	100	100	142	142
H	73	73	73	73	73	103	103
H1	19	19	19	19	19	33	33
H2	27.5	27.5	27.5	27.5	27.5	42	42
H3	130	130	130	130	130	176	176
H4	50	50	50	50	50	60	60
H5	58	58	58	58	58	82	82
Ø V	140	140	140	200	200	300	300
C	8	9	11	14	17	19	22
Ø K	70	70	70	70	70	102	102
ISO	F07	F07	F07	F07	F07	F10	F10
N x Ø Z	4 x M8	4 x M8	4 x M8	4 x M8	4 x M8	4 x M10	4 x M10
Weight (Kg)	1.35	1.35	1.35	1.75	1.75	4	4
Ref.	1197050	1197065	1197100	1197150	1197200	1197250	1197300

**CONCENTRIC PTFE LUG BUTTERFLY VALVE EXCELLENCE RANGE TTV  
 DUCTILE IRON BODY-CF8M DISC AND PTFE SEAT**

**CHAIN GEARBOX SIZE REF.1194 ( in mm ) :**



**NEW TYPE (MODIFICATION IN PROGRESS) :**



DN	32/50	65	80/100	125/150	200	250	300
L	120		215			325	
L1	110					250	
Ø V	160			210		300	
Ø V1	160			210		300	
Weight (in Kg)	2.35	2.35	2.35	2.75	2.75	6.8	6.8
Ref.	1194050	1194065	1194100	1194150	1194200	1194250	1194300

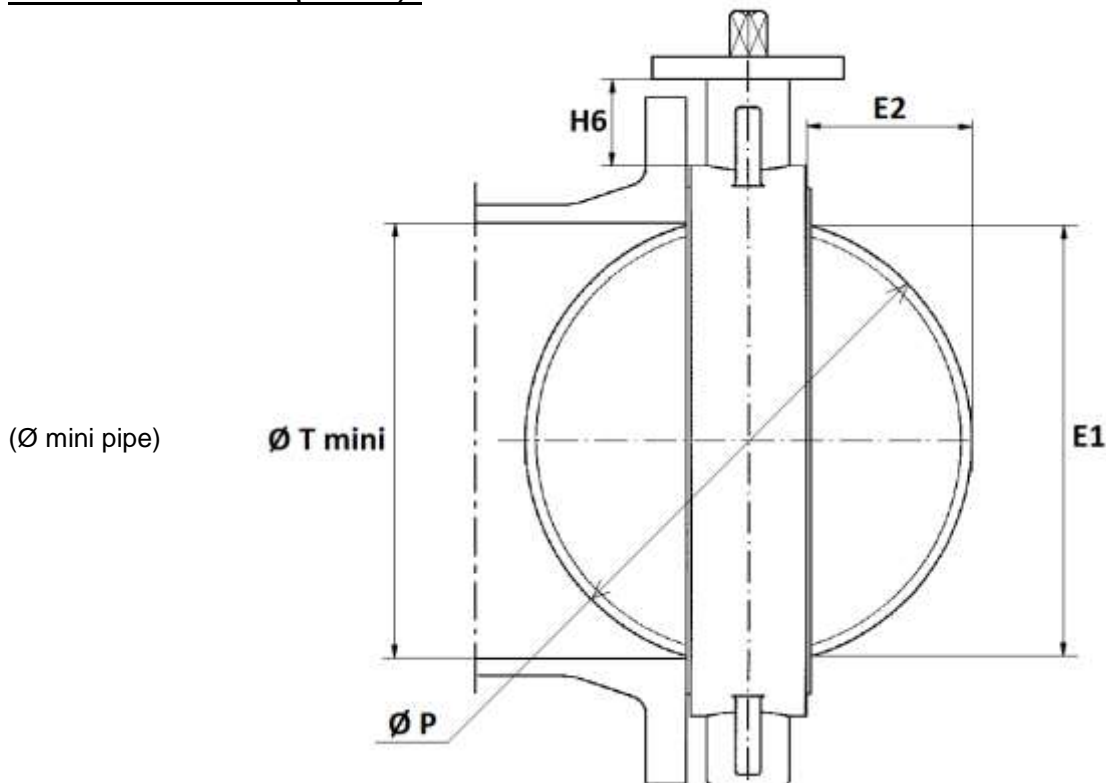


**CONCENTRIC PTFE LUG BUTTERFLY VALVE EXCELLENCE RANGE TTV  
DUCTILE IRON BODY-CF8M DISC AND PTFE SEAT**

**GEARBOX SPECIFICATIONS :**

DN	32/50	65	80/100	125/150	200	250	300
Ref.	1197050	1197065	1197100	1197150	1197200	1197250	1197300
Ratio factor	37 : 1	37 : 1	37 : 1	37 : 1	37 : 1	36 : 1	36 : 1
Number of cycles for opening or closing	9.25	9.25	9.25	9.25	9.25	9	9
Input torque ( Nm )	9	9	9	9	9	18.5	18.5
Output torque ( Nm )	250	250	250	250	250	500	500

**DISC AND NECK SIZE ( in mm ) :**

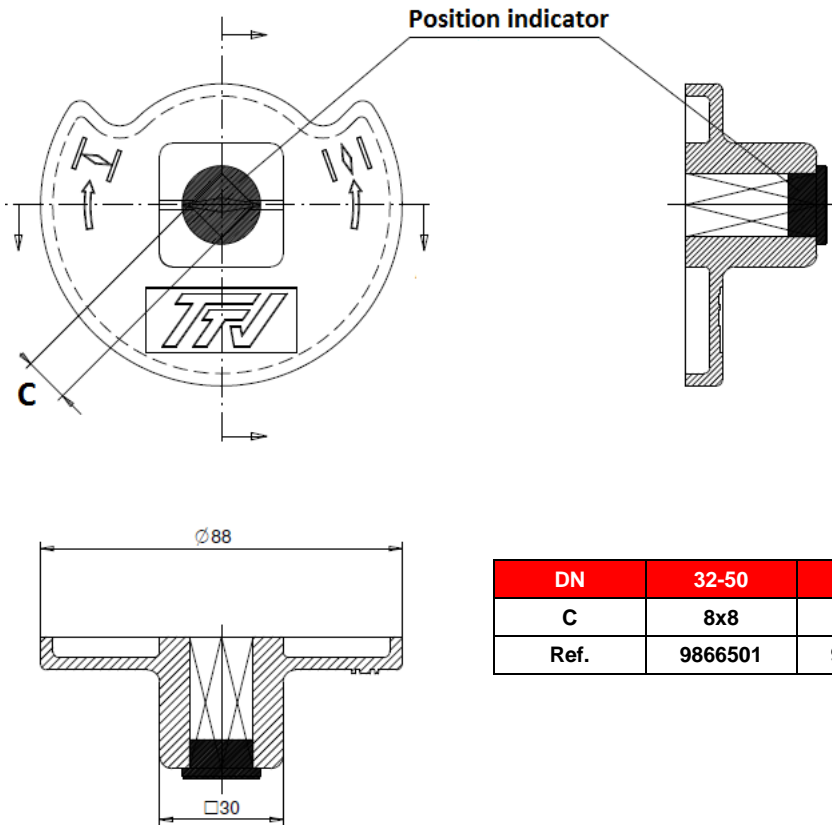


DN	32/40	50	65	80	100	125	150	200	250	300
E1	23	24.5	46	65	85	109	136	188	238	289
E2	3.5	3.5	9.5	17	24	33.5	45.5	69	90	110.5
H6	76	82	80	80	88	93	89	99	71	76
Ø T mini	26	27.5	49	68	88	112	139	191	241	292
Ø P	40	50	65	80	100	123	147	198	248	299

**CONCENTRIC PTFE LUG BUTTERFLY VALVE EXCELLENCE RANGE TTV  
 DUCTILE IRON BODY-CF8M DISC AND PTFE SEAT**

**SIZE ( in mm ) :**

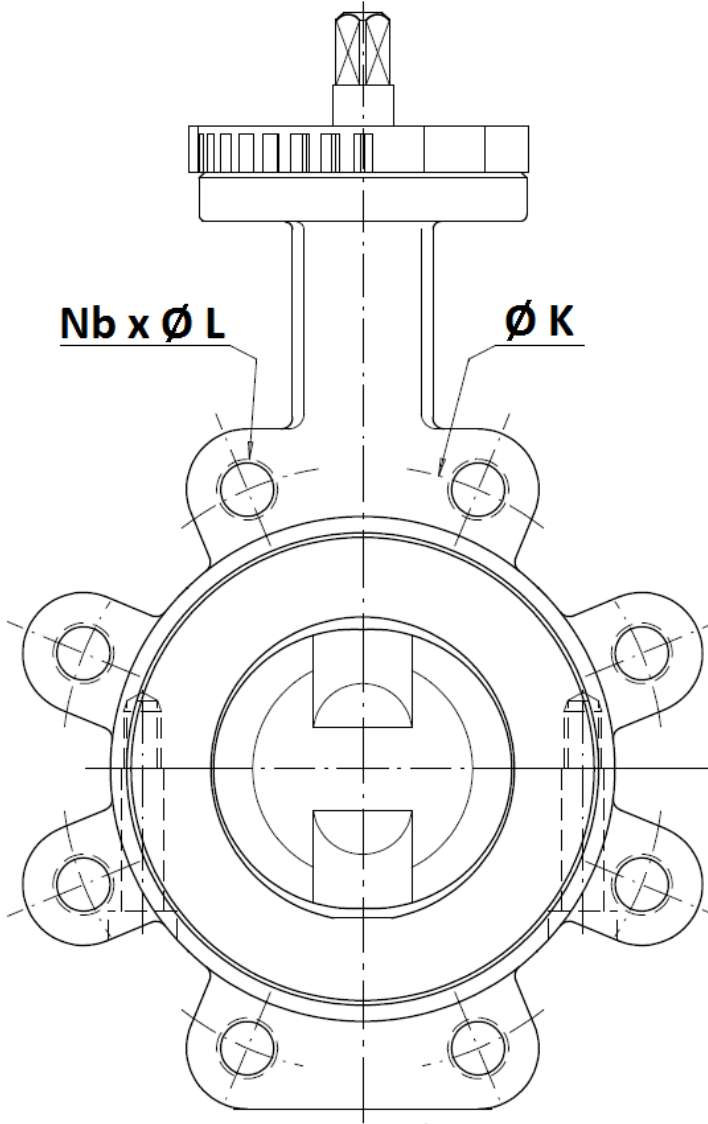
- **Square lever for special key ( 30x30 mm ) :**



DN	32-50	65	80-100	125-150	200
C	8x8	9x9	11x11	14x14	17x17
Ref.	9866501	9866502	9866503	9866504	9866505

**CONCENTRIC PTFE LUG BUTTERFLY VALVE EXCELLENCE RANGE TTV  
DUCTILE IRON BODY-CF8M DISC AND PTFE SEAT**

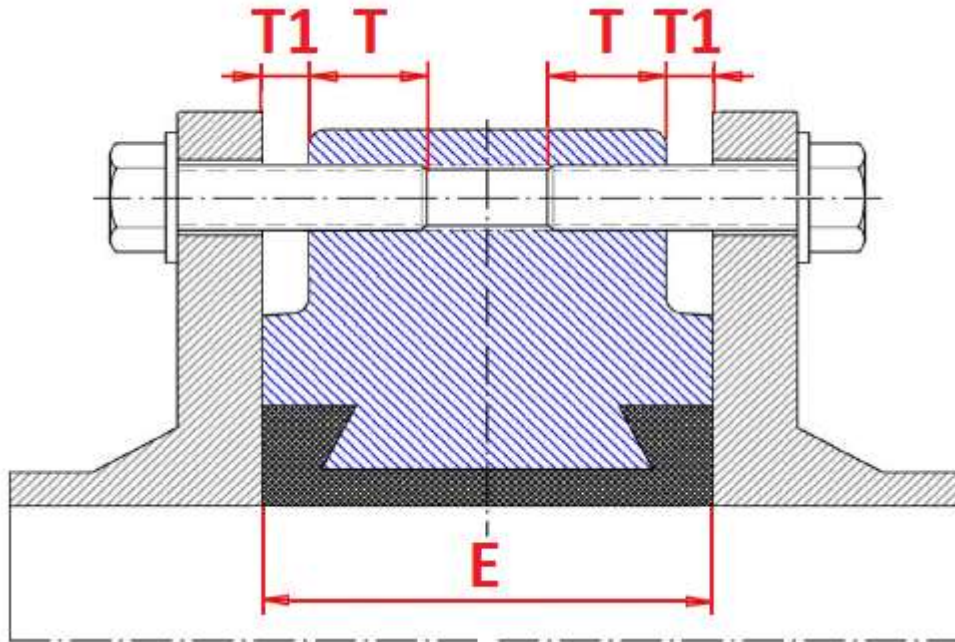
**BETWEEN FLANGES SIZE (in mm) :**



	DN (mm)	32	40	50	65	80	100	125	150	200	250	300
	NPS ( " )	1"1/4	1"1/2	2"	2"1/2	3"	4"	5"	6"	8"	10"	12"
PN10	Ø K	100	110	125	145	160	180	210	240	295	350	400
	Nb x Ø L	4 x M16				8 x M16			8 x M20		12 x M20	
PN16	Ø K	100	110	125	145	160	180	210	240	295	355	410
	Nb x Ø L	4 x M16				8 x M16			8xM20	12xM20	12 x M24	
Class 150	Ø K	88.9	98.5	120.6	139.7	152.4	190.5	215.9	241.3	298.5	362	431.8
	Nb x Ø L	4 x 1/2"		4 x 5/8"			8x5/8"	8 x 3/4"			12 x 7/8"	

**CONCENTRIC PTFE LUG BUTTERFLY VALVE EXCELLENCE RANGE TTV  
 DUCTILE IRON BODY-CF8M DISC AND PTFE SEAT**

**DEPTH THREADED HOLES (in mm) :**



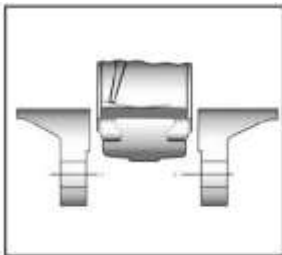
DN	PN10	PN16	Class 150 (PN20)	PN10, PN16 and CLASS 150	
	T	T	T	T1	E
32	13.5	13.5	13.6	2.5	33
40	13.5	13.5	12	2.5	33
50	14.5	14.5	13.5	2.5	43
65	13.5	13.5	14.3	3.5	46
80	16	16	17.2	4	46
100	17.5	17.5	18.7	2.5	52
125	20	20	23.2	3	56
150	20	20	21.6	3	56
200	23	23	23.4	3	60
250	26.5	26.5	27.3	2.5	68
300	31	29	30.3	3	78
350	37	33	33.1	2	78
400	41.5	35.5	41	2.5	102
450	37.5	41.5	45.8	4.5	114
500	38.5	47.5	43.6	3.5	127
600	38	50	38.4	4	154

## CONCENTRIC PTFE LUG BUTTERFLY VALVE EXCELLENCE RANGE TTV DUCTILE IRON BODY-CF8M DISC AND PTFE SEAT

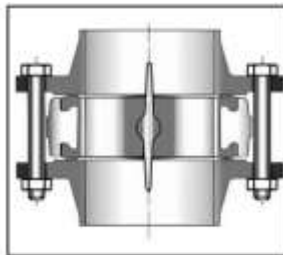
### STANDARDS :

- Manufacturer certified ISO 9001:2015
- Designing according to ISO 10631 and EN 593
- DIRECTIVE 2014/68/EU: For liquids or Gas of Group 1
  - DN32-50 : Risk category I, CE marking
  - DN65-300 : Risk category II, CE0038 or CE0094 marking
- Certificate 3.1 on request
- Pressure tests according to EN 12266-1, Rate A
- Between flanges according to EN 1092-1 PN10/16
- ISO 5211 mounting pad
- Length according to :
  - ISO 5752 short series 20
  - EN 558 series 20 (NF 29305)
  - BS 5155 series 4
  - DIN 3202 part 3, series K1
  - API 609 Table 1 up to DN600
  - ASME B16.10 Table 8 column 3 up to DN350, column 4 from DN400 to 600
- ATEX Group II Category 2 G/2D Zone 1 & 21 Zone 2 & 22 ( on request )
- The valves are suitable for use in a safety instrumented system up to SIL 2 in low demand mode. Under consideration of the minimum required hardware fault tolerance HFT= 1 the valves may be used in a redundant architecture up to SIL 3.
- **FDA PTFE** seat
- PTFE seat compatible with foodstuffs according to the rule **CE 1935/2004 (article 3)**

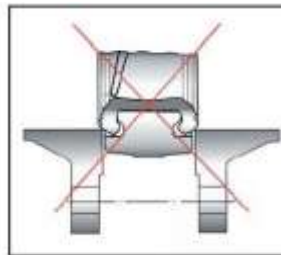
### INSTALLATION INSTRUCTIONS :



**Half open valve introduction**



**Complete opened disc valves  
when screw tightening**



**ADVICE :** Our opinion and our advice are not guaranteed and SFERACO shall not be liable for the consequences of damages. The customer must check the right choice of the products with the real service conditions.