

CHAIN GEARBOX FOR CONCENTRIC BUTTERFLY VALVES TTV

Chain gearbox for TTV butterfly valves.
With chain guide for a remote handling.
Direct mounting on ISO plate ISO 5211 on the butterfly valve.



Size : DN40 to DN500
Connection : For TTV concentric butterfly valves
Ingress protection grading : IP65
Specifications : Worm wheel type
Direct mounting on ISO 5211 mounting pad
Carbon steel chain handwheel
Carbon steel shaft

Materials : Aluminium body

CHAIN GEARBOX FOR CONCENTRIC BUTTERFLY VALVES TTV

SPECIFICATIONS :

- For TTV concentric butterfly valves
- Ingress protection grading IP65
- Worm wheel type
- Direct mouting on ISO 5211 mounting pad
- Carbon steel chain handwheel
- Carbon steel shaft
- Aluminium body

RANGE :

- Chain handwheel gearbox IP65 **Ref. 1194** from DN40 to DN500 for TTV concentric butterfly valves
- Chain (per meter) **Ref. 9866209**

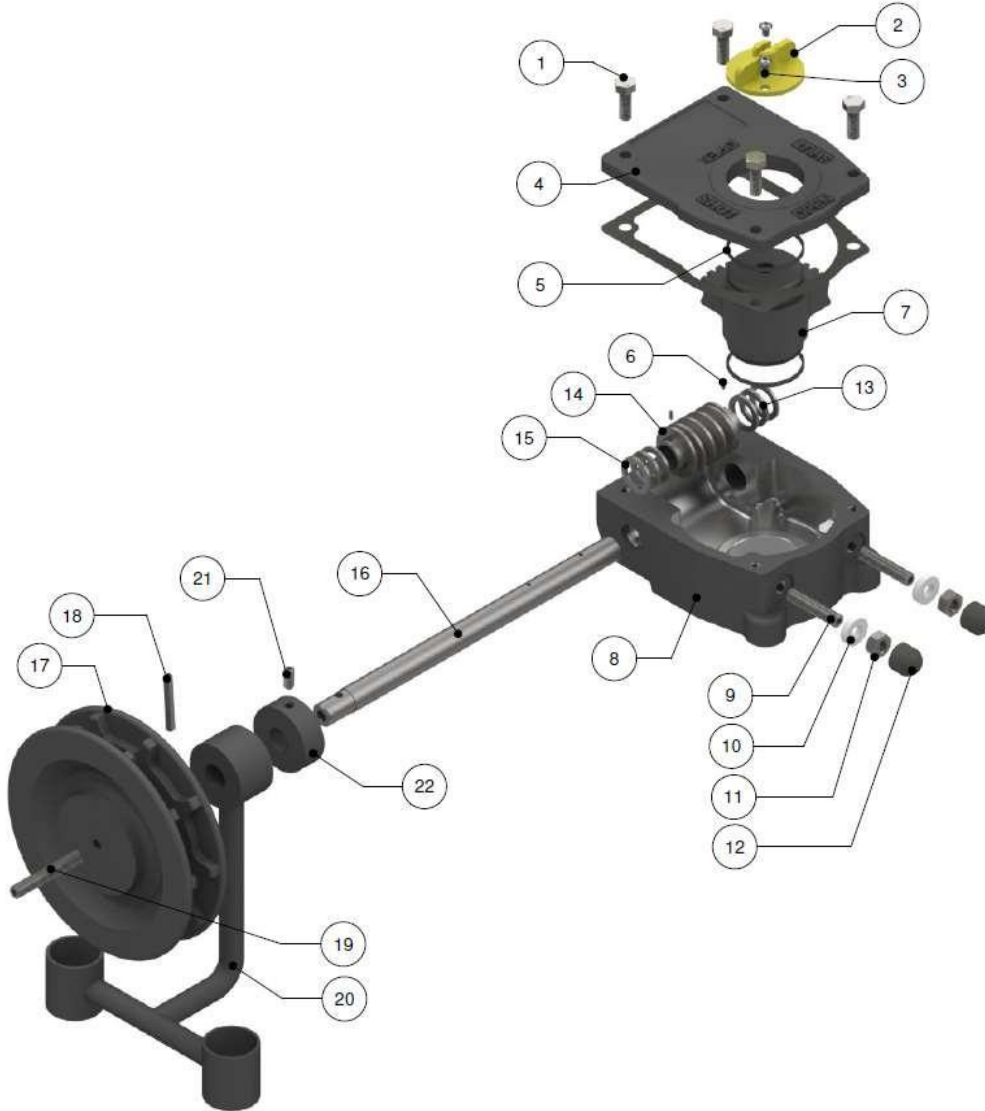
SPECIFICATIONS :

DN	32/50	65	80/100	125/150	200	250
Ref.	1194050	1194065	1194100	1194150	1194200	1194250
Ratio factor	37 : 1	37 : 1	37 : 1	37 : 1	37 : 1	36 : 1
Number of turns for opening / closing	9.25	9.25	9.25	9.25	9.25	9
Input torque (Nm)	9	9	9	9	9	18.5
Output torque (Nm)	250	250	250	250	250	500

DN	300	350	400	450	500
Ref.	1194300	1194350	1194400	-	-
Ratio factor	36 : 1	50 : 1	50 : 1	38 : 1	55 : 1
Number of turns for opening / closing	9	12.5	12.5	9.5	13.75
Input torque (Nm)	18.5	32	32	56.8	64
Output torque (Nm)	500	1200	1200	1620	2640

CHAIN GEARBOX FOR CONCENTRIC BUTTERFLY VALVES TTV

MATERIALS :

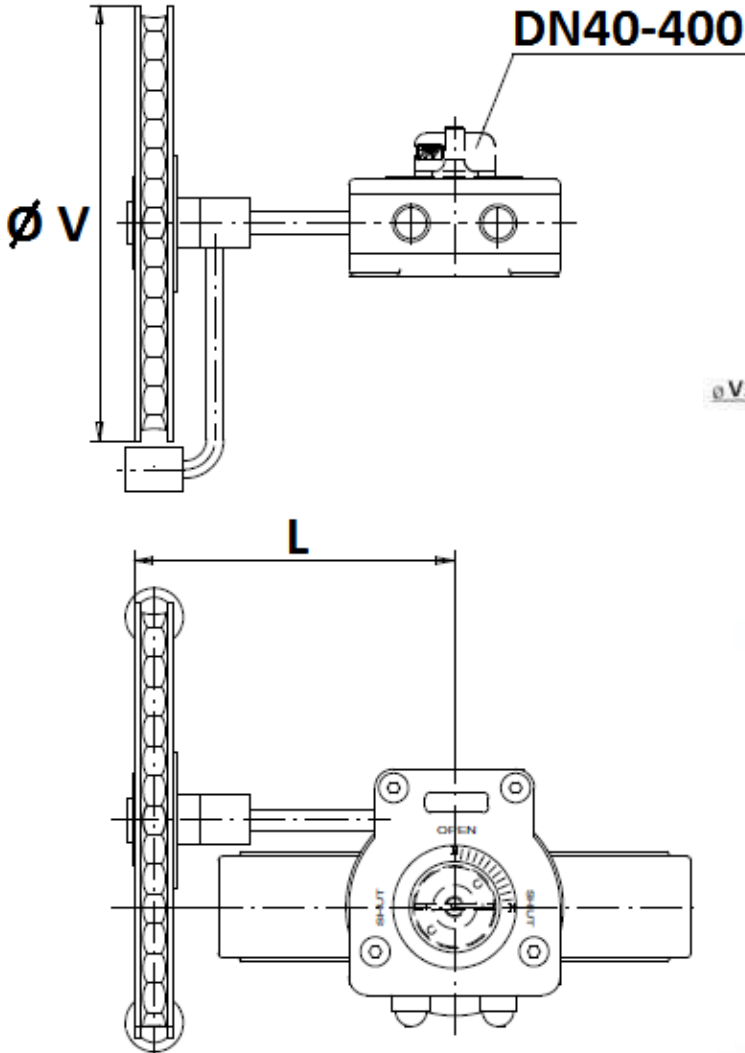


Item	Designation	Matérials
1	Screw	AISI 304
2	Indicator	Polypropylene
3	Screw	AISI 304
4	Bonnet	Aluminium
5	O-ring	NBR
6	Pin	Carbon steel
7	Quadrant	Ductile iron EN GJS-400-15
8	Body	Aluminium
9	Setting screw	Carbon steel
10	Washer	Silicone
11	Nut	Galvanized carbon steel

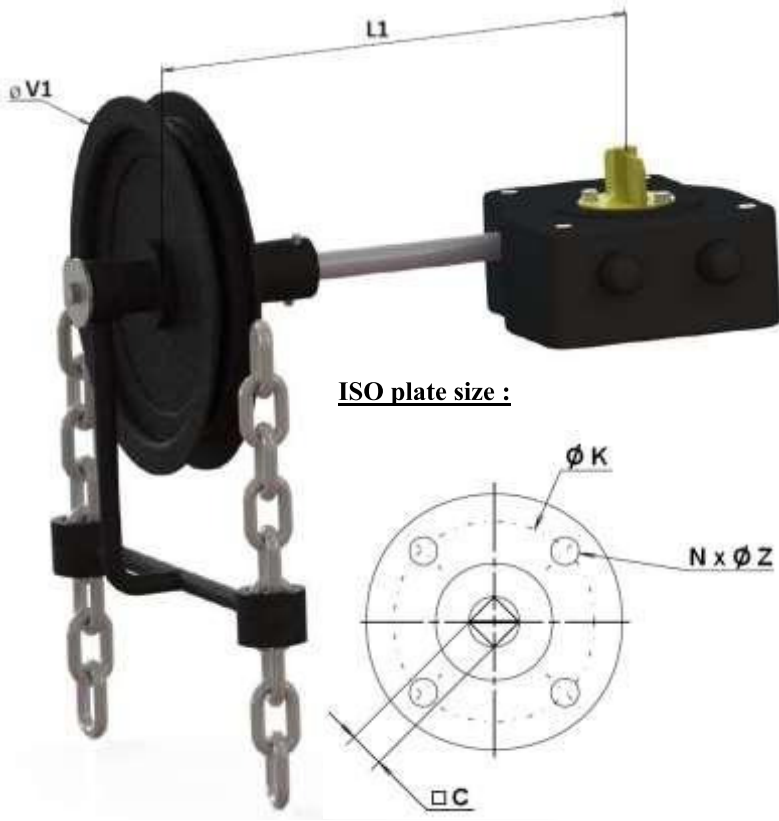
Item	Designation	Matérials
12	Cap	NBR 70
13	Washer	Carbon steel
14	Worm	Carbon Steel 45
15	Washer	Carbon steel
16	Shaft	Carbon Steel 45
17	Handwheel	Carbon steel
18	Pin	
19	Pin	
20	Chain Guide	
21	Pin	
22	Bague	

CHAIN GEARBOX FOR CONCENTRIC BUTTERFLY VALVES TTV

SIZE (in mm) :



NEW TYPE (MODIFICATION IN PROGRESS) :



*from DN450 to 500 : diameter instead of square

DN	32/50	65	80/100	125/150	200	250	300	350	400	450	500
L	120		215			325		331	352	350	365
L1	110					250		300			
Ø V	160			210		300		400		500	500
Ø V1	160			210		300		400		500	500
C	□8	□9	□11	□14	□17	□19	□22		□27	Ø50	
Ø K	70					102		140			
ISO	F07					F10		F14			
N x Ø Z	4 x M8					4 x M10		4 x M16			
Weight (Kg)	2.35	2.35	2.35	2.75	2.75	6.8	6.8	14.3	14.3	26.2	33.7
Ref.	1194050	1194065	1194100	1194150	1194200	1194250	1194300	1194350	1194400		

CHAIN GEARBOX FOR CONCENTRIC BUTTERFLY VALVES TTV

STANDARDS :

- Manufacturer certified ISO 9001 : 2015

ADVICE : Our opinion and our advice are not guaranteed and SFERACO shall not be liable for the consequences of damages. The customer must check the right choice of the products with the real service conditions.