

DUCTILE IRON BALL CHECK VALVE NF EN 12050-4 FLANGED PN10

Ductile iron ball check valve for water distribution and watering.
Ductile iron EN GJS-400-15 body with anti-corrosion epoxy painting and stainless steel bolting.
According to water pumping stations NF EN 12050-4
Bolted bonnet for easy maintenance.

Certificate

3.1



Size : DN40 to DN500
Connection : Flanged PN10/16 RF
Min Temperature : -10°C
Max Temperature : +70°C
Max Pressure : 10 Bars
Specifications : Metallic NBR coated ball
Horizontal or vertical with ascending fluid position
Bolted bonnet
Ball type

Materials : Ductile iron EN GJS-400-15 body

DUCTILE IRON BALL CHECK VALVE NF EN 12050-4 FLANGED PN10

SPECIFICATIONS :

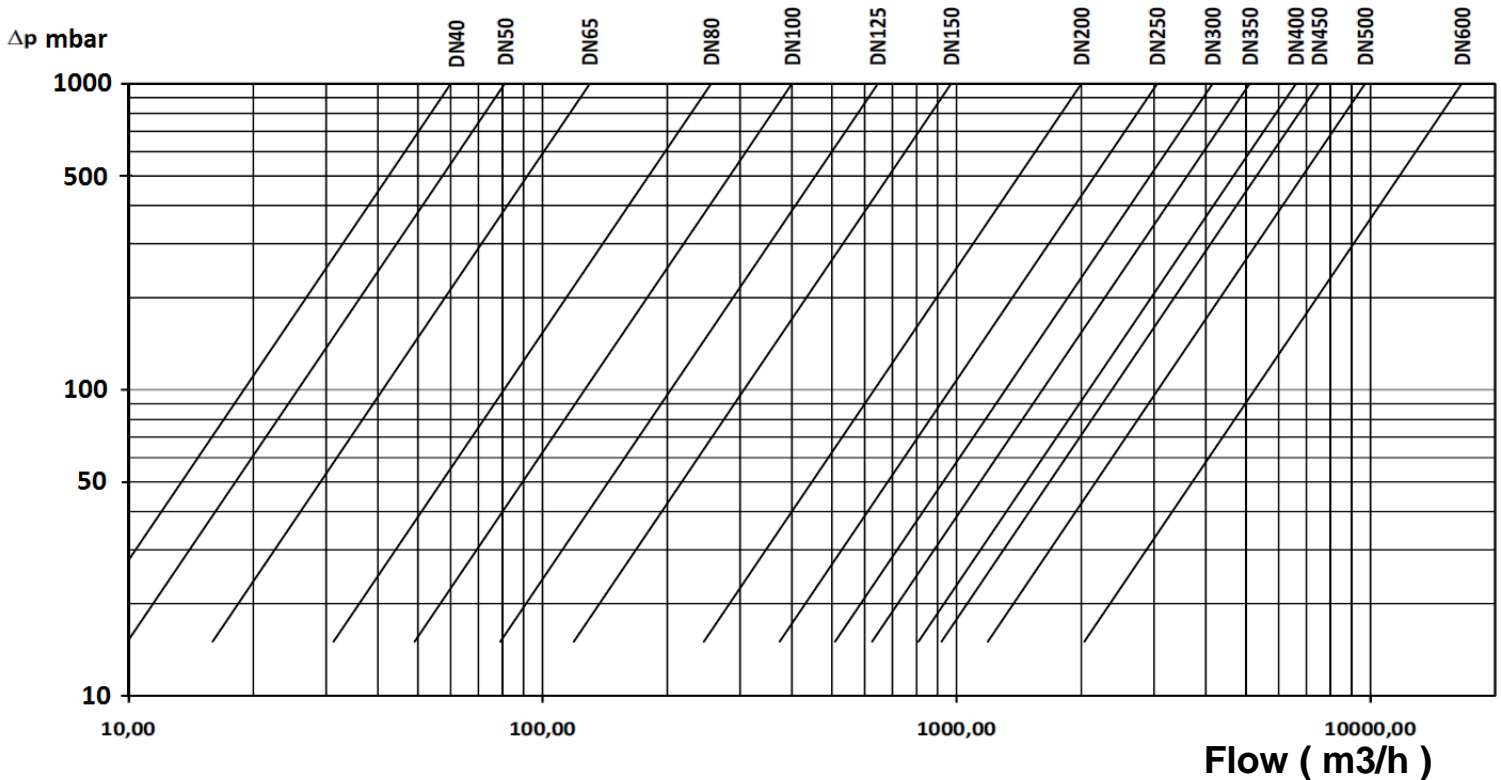
- Ball type
- Vertical with ascendant fluid or horizontal (respect the flow direction indicated by the arrow)
- PN10/16 RF Flanged up to DN150, PN10 over
- Removable bonnet for easy maintenance
- Anti-corrosion epoxy painting RAL 5017 blue color 150 microns thickness
- Anti-corrosion stainless steel bolting
- Aluminium or ductile iron NBR coated ball non floating
- Full bore
- Minimum backpressure for tightness between 0.3 and 0.5 bars

USE :

- Water distribution and watering
- Min Temperature Ts : - 10°C
- Max Temperature Ts :+ 70°C
- Max Pressure Ps : 10 bars

HEAD LOSS :

(Bar)



FLOW COEFFICIENT Kvs (in m3/h) :

DN	40	50	65	80	100	125	150	200	250	300	350	400	450	500
Kvs (m3/h)	60	81	130	255	400	645	970	2000	3050	4150	5100	6600	7500	9700

DUCTILE IRON BALL CHECK VALVE NF EN 12050-4 FLANGED PN10

RANGE :

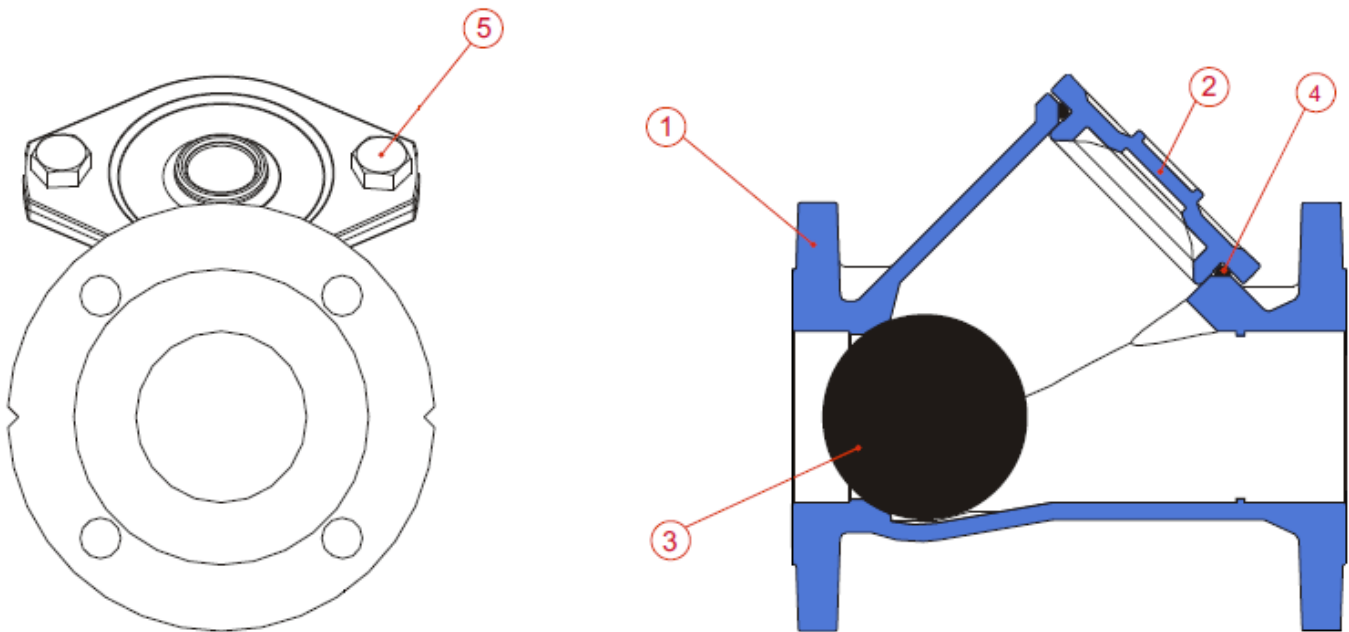
- Ball check valve PN10/16 RF Flanged from DN40 to 150 and PN10 over **Ref. 336** DN40 to 500

REPAIRABILITY :



DN	40	50	65	80	100	125	150	200	250	300
Ø Ball	51	62	76	96	122	150	180	246	308	363
Ref. Ball	9803649	9803650	9803651	9803652	9803653	9803654	9803655	9803656	9803657	9803658
Ref. Bonnet gasket	9803675	9803676	9803677	9803678	9803679	9803680	9803681	9803682	9803683	9803684

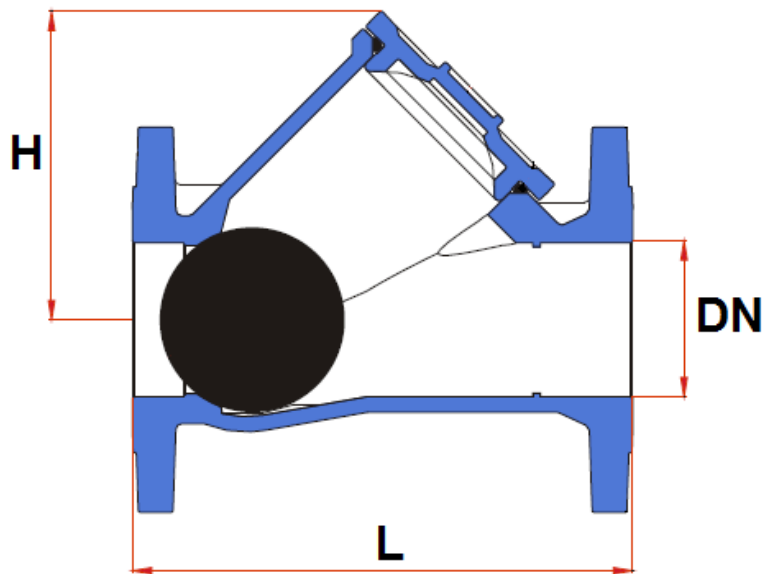
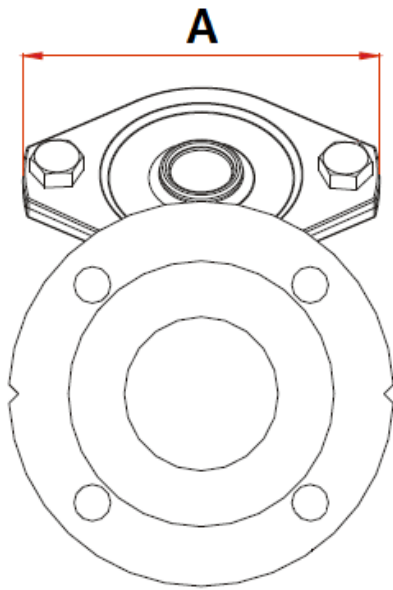
MATERIALS :



Item	Designation	Materials
1	Body	Ductile iron EN GJS-400-15
2	Bonnet	Ductile iron EN GJS-400-15
3	Ball DN 40 to 200	Aluminium + NBR
	Ball DN 250 to 500	Ductile iron EN GJS-400-15 + NBR
4	Bonnet gasket	NBR
5	Bolting	SS A-2

DUCTILE IRON BALL CHECK VALVE NF EN 12050-4 FLANGED PN10

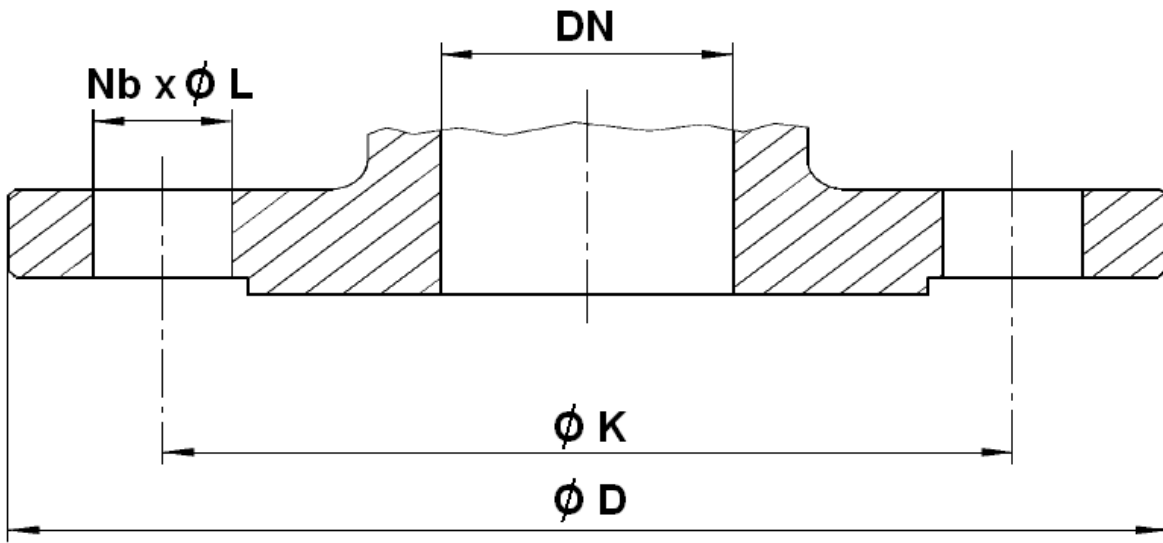
SIZE (in mm) :



DN	40	50	65	80	100	125	150	200	250	300	350	400	450	500
L	180	200	240	260	300	350	400	500	600	700	800	900	1000	1100
H	90	115	144	160	190	222	268	335	420	495	580	730	760	900
A	120	140	165	185	220	255	290	370	380	445	520	712	712	775
Weight (Kg)	6	8	12	15	21.5	29	45	85	120	180	270	440	500	680
Ref.	336040	336050	336065	336080	336100	336125	336150	336200	336250	336300	336350	336400	336450	336500

DUCTILE IRON BALL CHECK VALVE NF EN 12050-4 FLANGED PN10

FLANGES SIZE (in mm) :



DN	40	50	65	80	100	125	150	200	250	300	350	400	450	500
Ø D	150	165	185	200	226	253	285	342	403	450	505	565	615	670
Ø K	110	125	145	160	180	210	240	295	350	400	460	515	565	620
Nb x Ø L	4 x 19	4 x 19	4 x 1	8 x 19	8 x 19	8 x 19	8 x 23	8 x 23	12 x 23	12 x 23	16 x 23	16 x 27	20 x 27	20 x 27

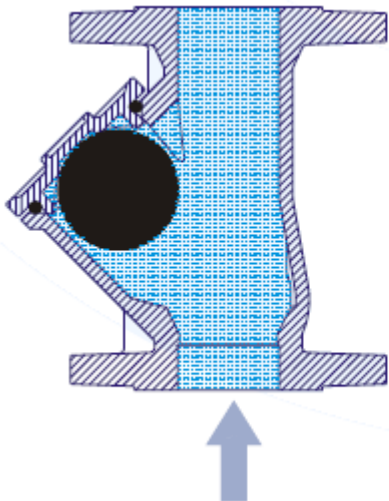
DUCTILE IRON BALL CHECK VALVE NF EN 12050-4 FLANGED PN10

STANDARDS :

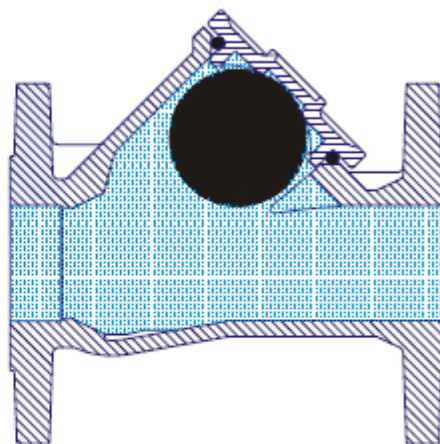
- Manufacturer certified ISO 9001: 2015 and ISO 14001 : 2015
- Designing according to EN 14341
- DIRECTIVE 2014/68/EU : Products excluded from directive (Article 1, § 2b)
- Certificate 3.1 on request
- Tests according to ISO 5208, Rate A
- PN10 Flanged according to EN 1092-2
- Length according to EN 558 series 48 (DIN 3202 F6)
- According to water pumping stations NF EN 12050-4

INSTALLATION POSITIONS :

Vertical position (Ascendant fluid)



Horizontal position



ADVICE : Our opinion and our advice are not guaranteed and SFERACO shall not be liable for the consequences of damages. The customer must check the right choice of the products with the real service conditions.