

## STAINLESS STEEL STRAINER BASKET FOR FLANGES PN10/16

Galvanized carbon steel strainer basket for flanges PN10/16 for filtration of water distribution and draining networks.  
6 mm mesh.  
With bolting.



**Size :** DN50 to DN300  
**Connection :** For flanges PN10/16  
**Min Temperature :** -20°C  
**Max Temperature :** +200°C  
**Max Pressure :** 16 Bars  
**Specifications :** Mesh 6 mm  
With bolting

**Materials :** Stainless steel AISI 304

**STAINLESS STEEL STRAINER BASKET FOR FLANGES PN10/16**

**SPECIFICATIONS :**

- For flanges PN10/16
- Mesh 6 mm
- With bolting

**USE :**

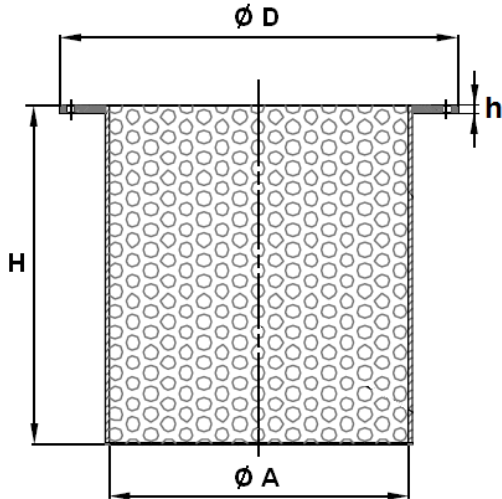
- For water distribution and draining
- Min Temperature Ts : - 20°C
- Max Temperature Ts :+ 200°C
- Max Pressure Ps : 16 bars

**RANGE :**

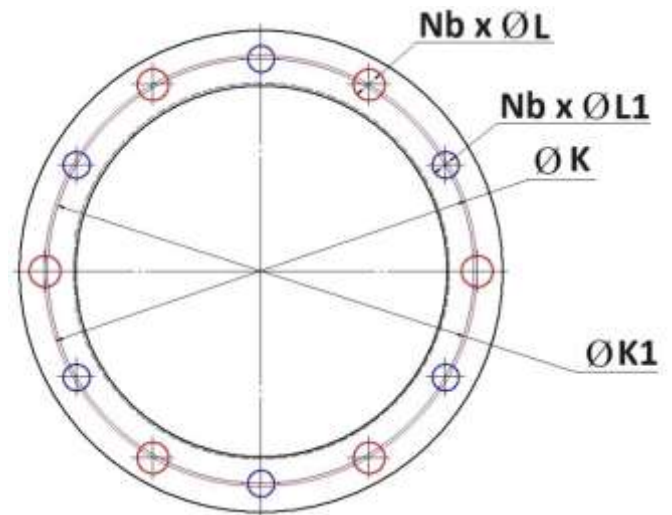
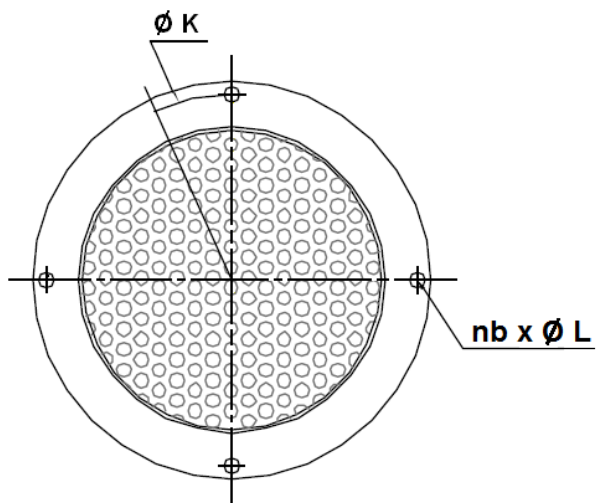
- Stainless steel AISI 304 strainer basket, for PN10/16 flanges from DN50 to DN 300 **Ref. 376**

STAINLESS STEEL STRAINER BASKET FOR FLANGES PN10/16

**SIZE ( in mm ) :**



**DOUBLE DRILLING FOR DN250 AND 300 (PN10 and PN16) :**



DN	50	65	80	100	125	150	200	250	300
H	77	110	125	155	170	220	300	390	410
h	3	3	3	3	3	3	3	4	4
Ø A	93	113	128	148	178	200	255	310	360
Ø D	165	185	200	220	250	285	340	397	450
Ø K	125	145	160	180	210	240	295	355	410
Nb x Ø L	4 x 18					4 x 22		6 x 26	
Ø K1	-							350	400
Nb x Ø L1	-							6 x 22	
Bolting	4 x M16					4 x M20		6 x M20	
Weight (Kg)	1	1.3	1.4	1.7	2	3	4.5	6	7
Ref.	376050	376065	376080	376100	376125	376150	376200	376250	376300

**STAINLESS STEEL STRAINER BASKET FOR FLANGES PN10/16**

**STANDARDS :**

- Manufacturer certified ISO 9001: 2015 and ISO 14001 : 2015
- DIRECTIVE 2014/68/EU : Products excluded from directive (article 1, § 2b)

**ADVICE :** Our opinion and our advice are not guaranteed and SFERACO shall not be liable for the consequences of damages. The customer must check the right choice of the products with the real service conditions.