

BRONZE GLOBE CHECK VALVE METAL DISC FEMALE BSP PN25

Bronze globe check valve female BSP with stainless steel disc for heating, water distribution and watering, compressed air.
Disc type with spring for all positions.
Bronze body provides excellent corrosion resistance.
Removable cap for an easy maintenance.



Size : DN1/4" to DN2"
Connection : Female BSP
Min Temperature : -10°C
Max Temperature : +180°C
Max Pressure : 25 Bars
Specifications : Removable bonnet
Stainless steel seat
Horizontal position

Materials : Bronze ASTM B62 body

BRONZE GLOBE CHECK VALVE METAL DISC FEMALE BSP PN25

SPECIFICATIONS :

- Respect the flow direction indicated on the body by the arrow
- Horizontal position
- Bronze body with union cap
- Stainless steel disc
- Stainless steel seat
- BSP cylindrical female threaded

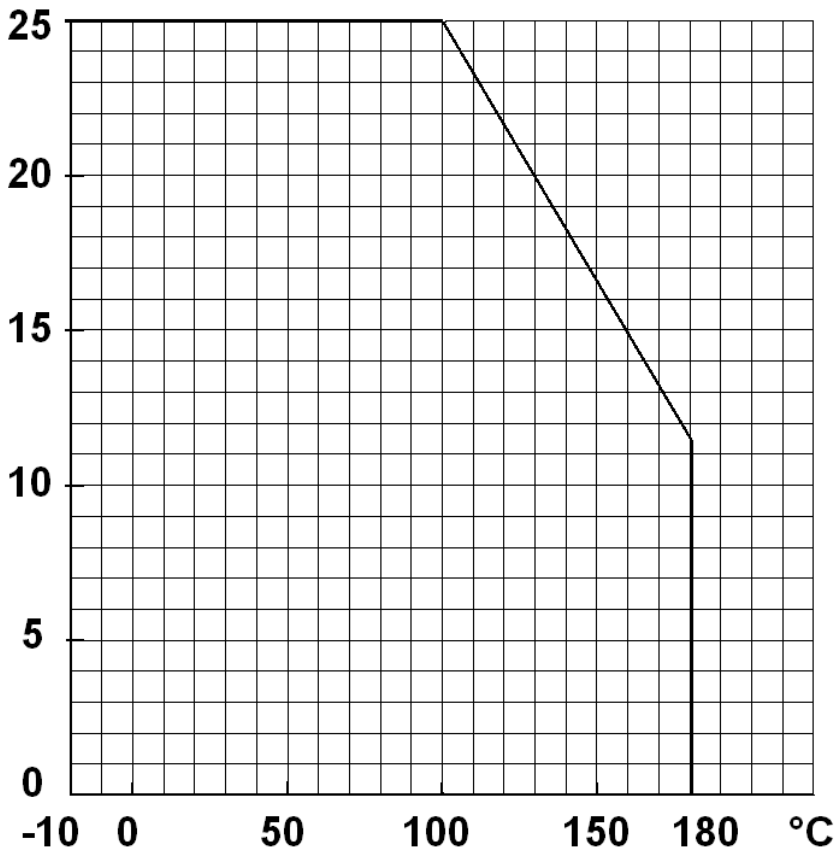
USE :

- Heating, water distribution and watering, compressed air
- Min and max Temperature Ts : - 10°C to + 180°C
- Max Pressure Ps : 25 bars (see graph)

PRESSURE / TEMPERATURE GRAPH (STEAM EXCLUDED) :

PRESSURE

Bar

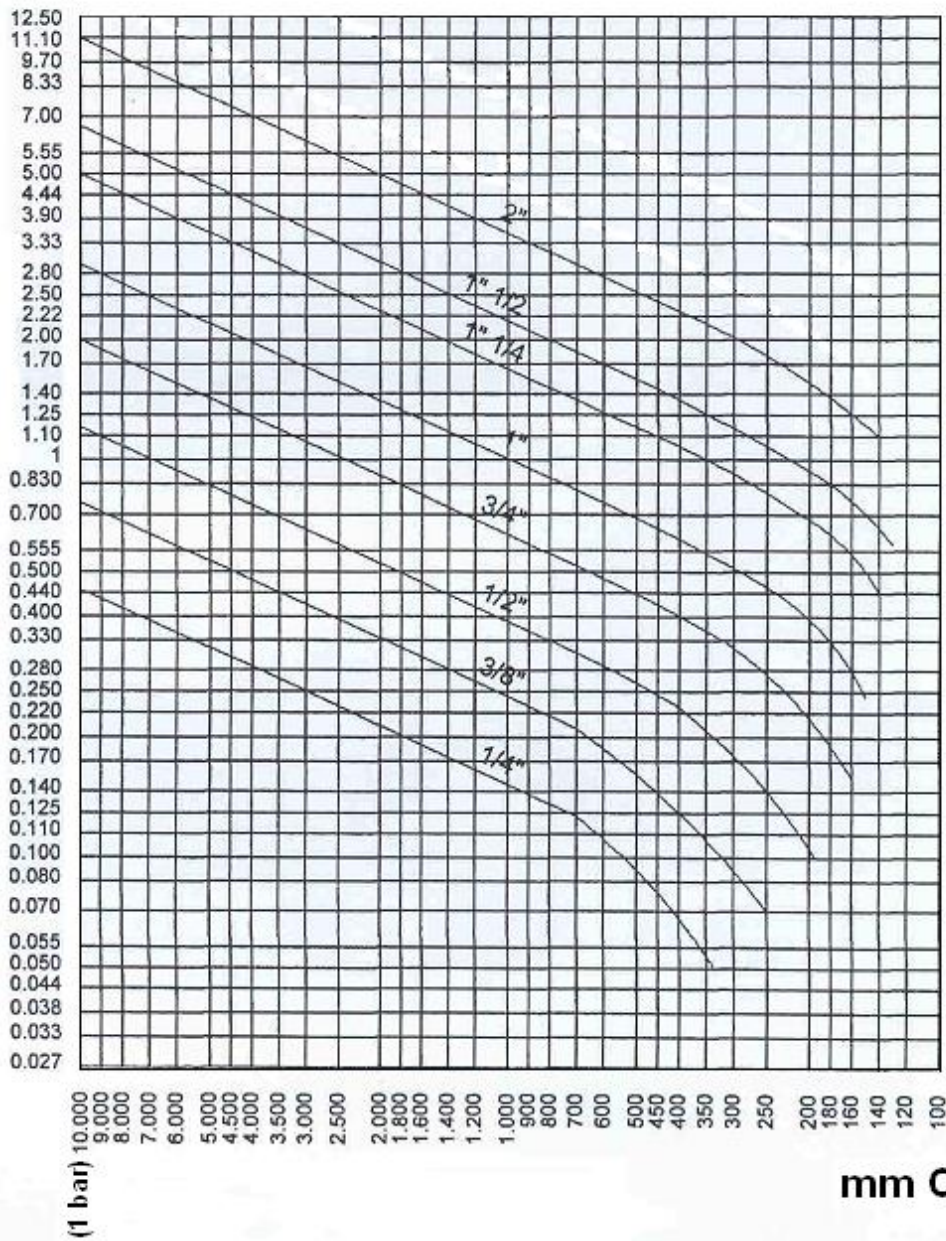


TEMPERATURE

BRONZE GLOBE CHECK VALVE METAL DISC FEMALE BSP PN25

HEAD LOSS GRAPH :

FLOW
L / S

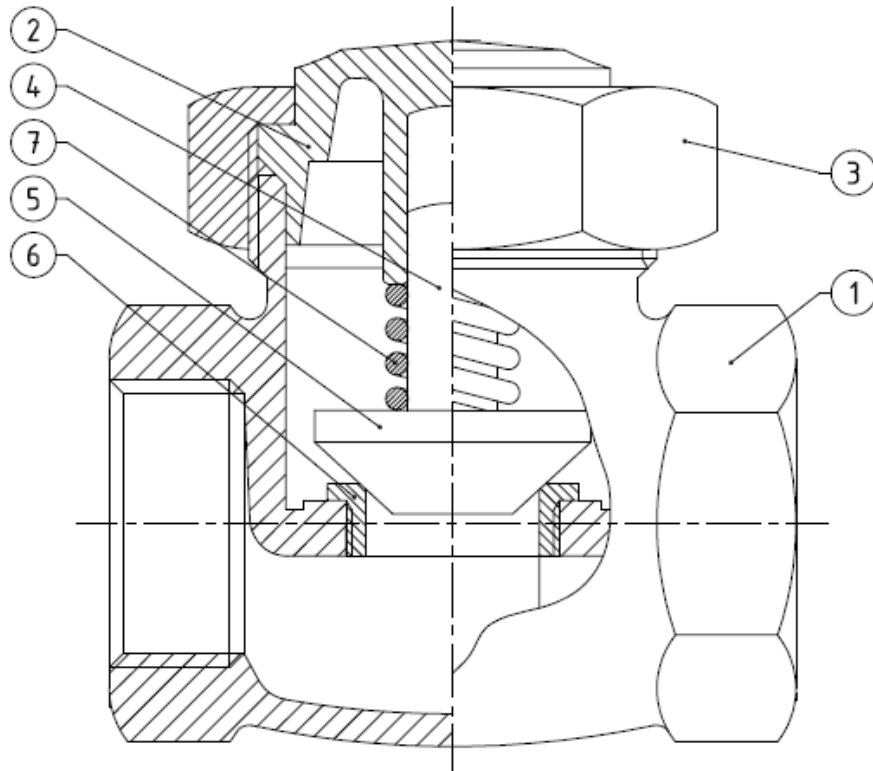


RANGE :

- Check valve bronze body and stainless steel disc female threaded BSP cylindrical from DN 1/4" to DN 2" Ref. 350

BRONZE GLOBE CHECK VALVE METAL DISC FEMALE BSP PN25

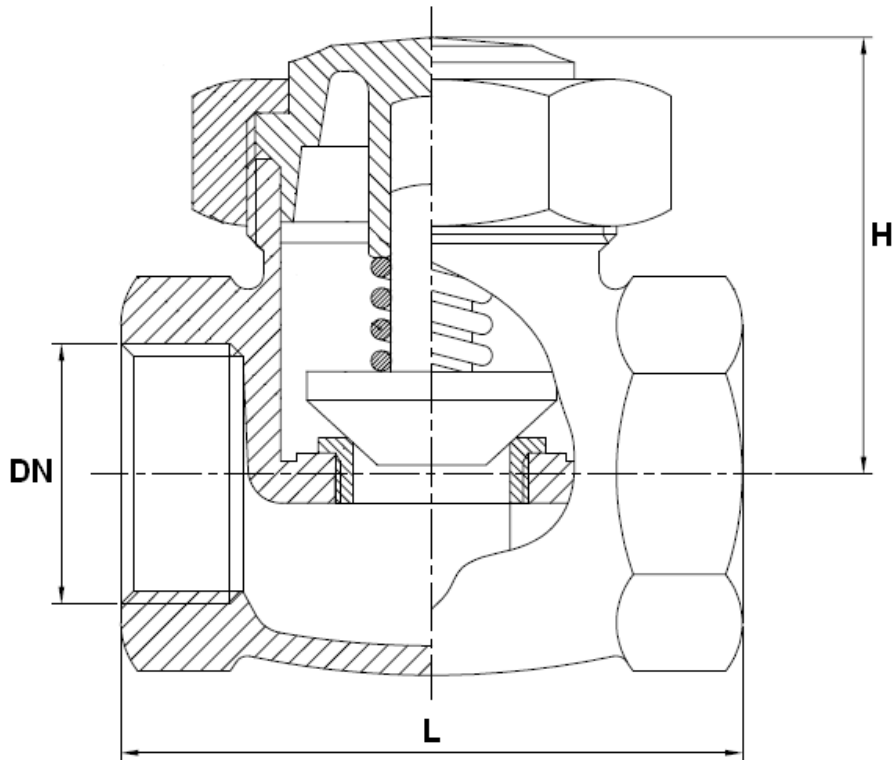
MATERIALS :



Item	Designation	Materials
1	Body	Bronze C83600 ASTM B62
2	Bonnet DN 1/4" to 1 1/2"	Brass CW 614N according to EN 12164
2	Bonnet DN 2"	Bronze C83600 ASTM B62
3	Bonnet nut	Brass CW 617N according to EN 12165
4	Stem	Brass CW 614N according to EN 12164
5	Disc	AISI 316L
6	Seat	
7	Spring	AISI 303

BRONZE GLOBE CHECK VALVE METAL DISC FEMALE BSP PN25

SIZE (in mm) :



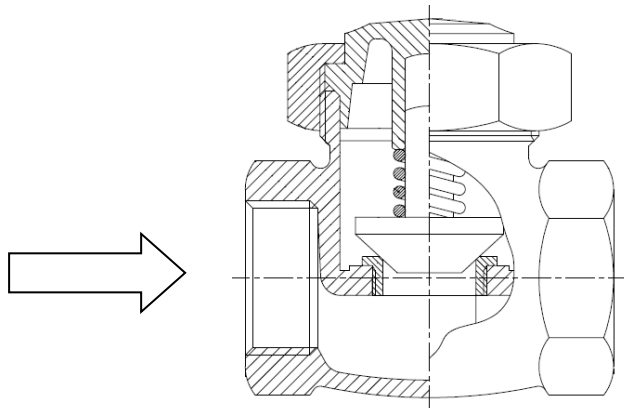
DN	1/4"	3/8"	1/2"	3/4"	1"	1"1/4"	1"1/2"	2"
L	46	46	56	62	74	91	100	128
H	30	30	35	45	50	60	65	70
Weight (Kg)	0.2	0.2	0.28	0.5	0.73	1.16	1.5	2.51
Ref.	350002	350003	350004	350005	350006	350007	350008	350009

BRONZE GLOBE CHECK VALVE METAL DISC FEMALE BSP PN25

STANDARDS :

- Manufacturer certified ISO 9001 : 2015 and ISO 14001 :2015
- DIRECTIVE 2014/68/EU : For liquids and gas of Group 1
 - DN1/4"-1" : Article 4, §3 (SEP), no CE marking
 - DN1"1/4-1"1/2 : Risk Category I, CE marking
 - DN2" : Risk Category II, CE0497 marking
- Pressure test according to EN 12266-1, A rate
- Threaded BSP female cylindrical according to ISO 228/1

INSTALLATION POSITION :



ADVICE : Our opinion and our advice are not guaranteed and SFERACO shall not be liable for the consequences of damages. The customer must check the right choice of the products with the real service conditions.