

STAINLESS STEEL DISC CHECK VALVE FEMALE BSP

2 pieces stainless steel disc check valve female BSP for chemical and pharmaceutical industries, petrochemical industries, hydraulic installation, compressed air and water.

Disc type with spring for all positions.

Stainless steel EN 1.4408 body and disc, PTFE filled with 15% glass fiber gaskets.

Compatible with explosive atmosphere, ATEX Zone 1&21 and Zone 2&22.

Certificate

3.1



Size : DN1/4" to DN2"

Connection : Female BSP

Min Temperature : -20°C

Max Temperature : +200°C

Max Pressure : 63 Bars

Specifications : Disc with spring type

All positions

PTFE filled with 15% glass fiber gaskets

Materials : Stainless steel EN 1.4408

STAINLESS STEEL DISC CHECK VALVE FEMALE BSP

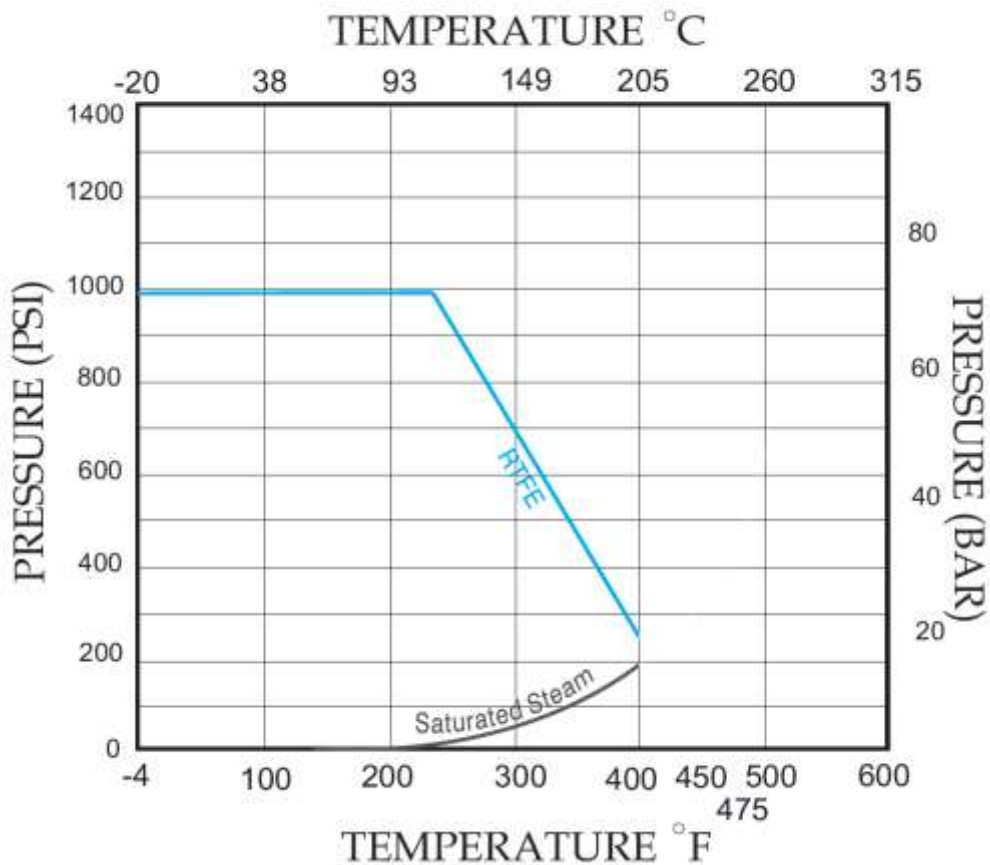
SPECIFICATIONS :

- 2 pieces disc with spring check valve
- All positions (respect the flow direction indicated by the arrow)
- Short length
- PTFE seat filled with 15% glass fiber

USE :

- Chemical and pharmaceutical industries, petrochemical industries, hydraulic installation, compressed air, water
- Min Temperature Ts : - 20°C
- Max Temperature Ts :+ 200°C
- Max Pressure Ps : 63 bars (see graph under)
- Steam : 14 bars max

PRESSURE / TEMPERATURE GRAPH :

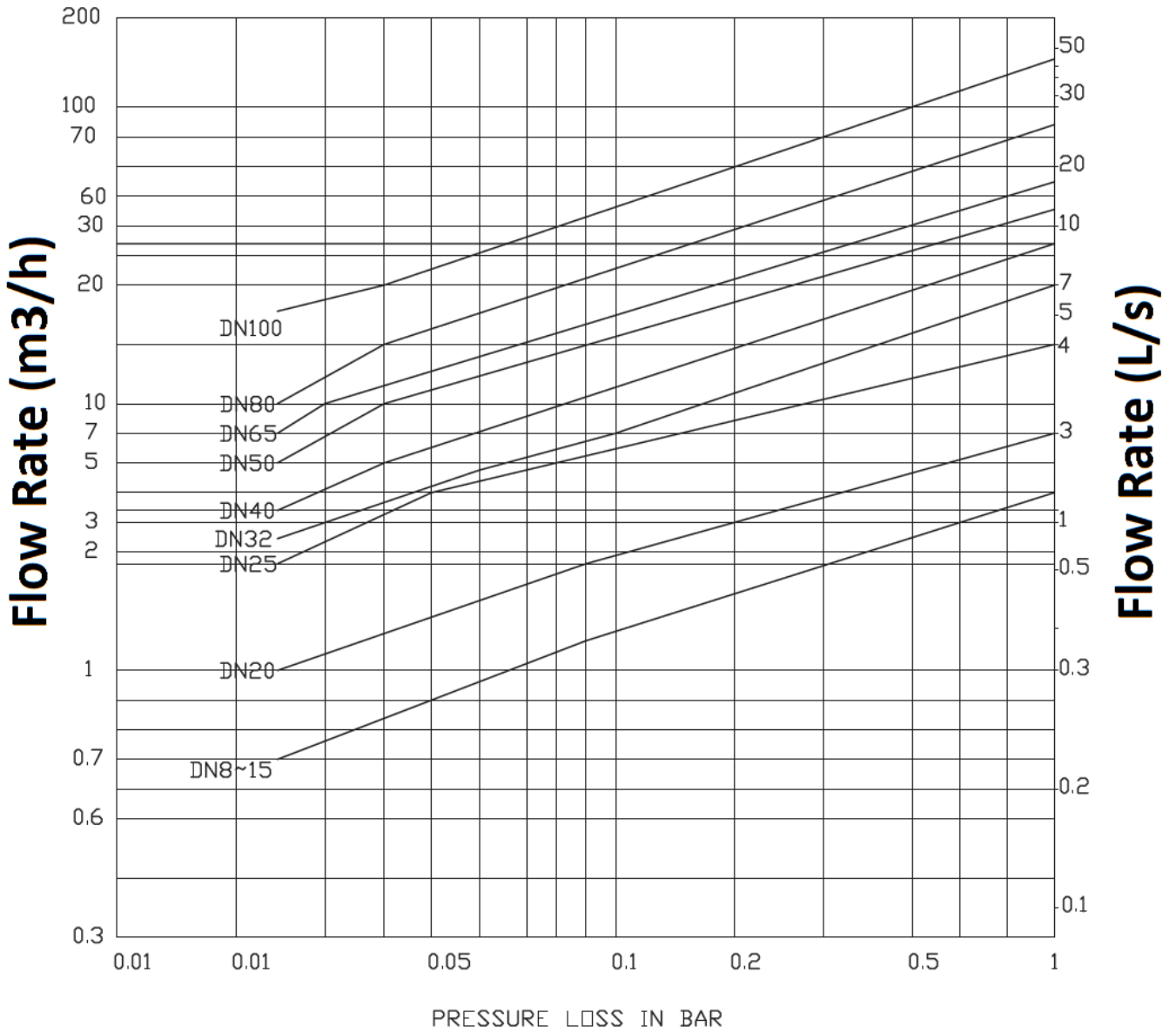


FLOW COEFFICIENT Kvs (M3 / h) :

DN	1/4"	3/8"	1/2"	3/4"	1"	1 1/4"	1 1/2"	2"
Kvs (m3/h)	2.6	2.6	3.8	5.1	8	10.3	12.8	16

STAINLESS STEEL DISC CHECK VALVE FEMALE BSP

HEAD LOSS GRAPH :



STAINLESS STEEL DISC CHECK VALVE FEMALE BSP

OPENING PRESSURE (in mbar) :

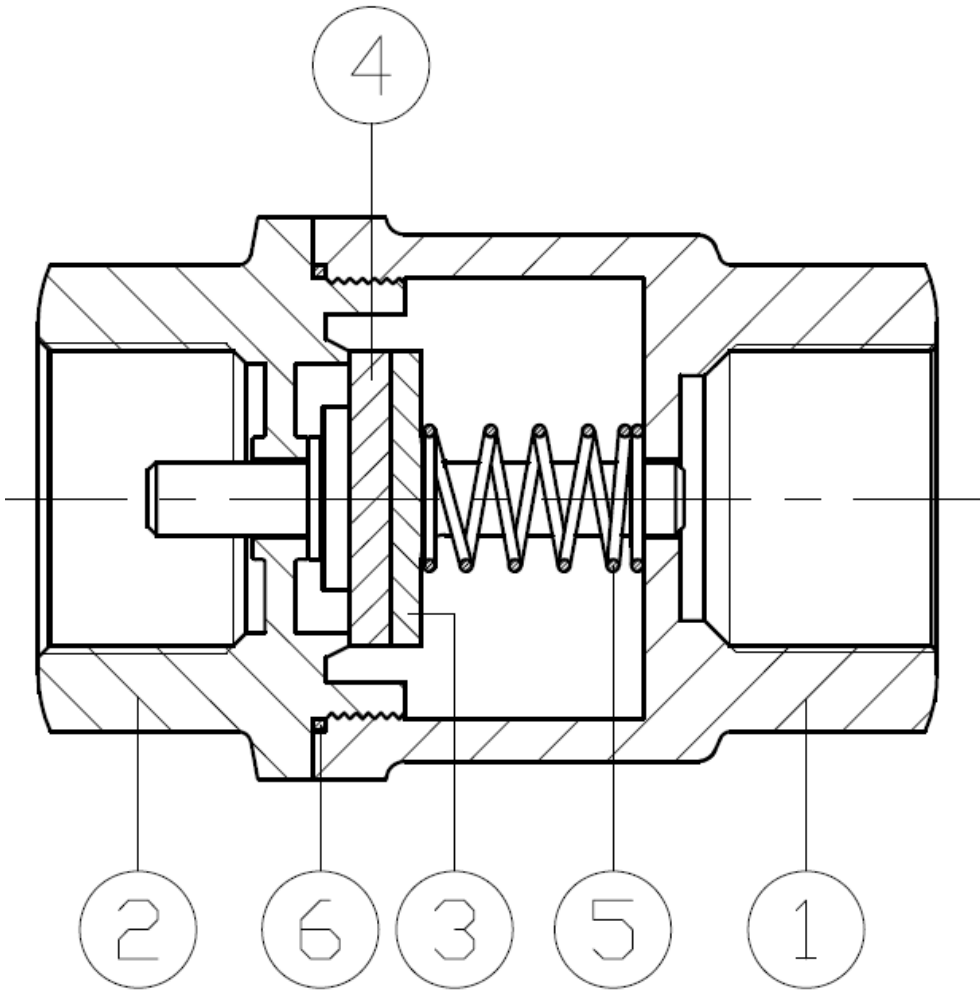
DN	↑	↓	→
8	20	19	20
10	20	19	20
15	21	20	21
20	21	20	21
25	22	21	22
32	23	22	24
40	24	22	24
50	25	23	25

RANGE :

- Female / female threaded BSP cylindrical 2 pieces disc check valve **Ref. 329** from DN 1/4" to DN 2"

STAINLESS STEEL DISC CHECK VALVE FEMALE BSP

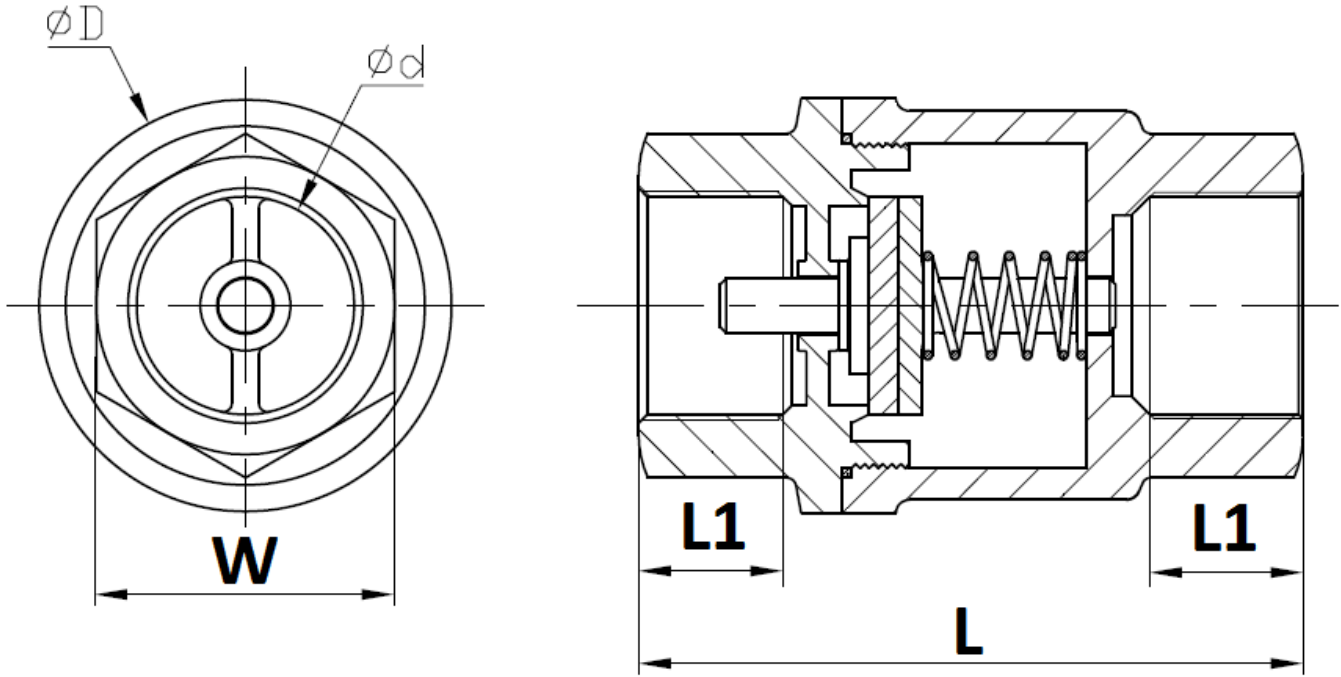
MATERIALS :



Item	Designation	Materials
1	Body	EN 1.4408
2	Bonnet	
3	Disc	
4	Gasket	PTFE filled with 15% glass fiber
5	Spring	AISI 316
6	Body gasket	PTFE filled with 15% glass fiber

STAINLESS STEEL DISC CHECK VALVE FEMALE BSP

SIZE (in mm) :



DN	1/4"	3/8"	1/2"	3/4"	1"	1"1/4"	1"1/2"	2"
Ø d	10	10	15	20	25	32	40	50
Ø D	34.3	34.3	34.3	46	54	62.5	73.5	90.5
L	58.7	58.7	58.7	72.9	88.9	106.2	126.5	127
L1	12.5	12.5	12.5	16	20	22	22	23
W	22	22	26	33	39	49	55	69
Weight (Kg)	0.18	0.18	0.19	0.4	0.63	1	1.5	2.2
Ref.	329002	329003	329004	329005	329006	329007	329008	329009

STAINLESS STEEL DISC CHECK VALVE FEMALE BSP**STANDARDS :**

- Manufacturer certified ISO 9001 : 2015
- DIRECTIVE 2014/68/EU : For liquids and gas of Group 1
 - DN1/4"-1" : Article 4, §3 (SEP), no CE marking
 - DN1"1/4-2" : Risk Category II, CE 0035 marking
- Certificate 3.1 on request
- Pressure tests according to API 598, table 6
- BSP threaded cylindrical ends according to ISO 228-1
- ATEX Group II Category 2 G/2D Zone 1 & 21 Zone 2 & 22 (optional marking)

ADVICE : Our opinion and our advice are not guaranteed and SFERACO shall not be liable for the consequences of damages.
The customer must check the right choice of the products with the real service conditions.