

CAST IRON DUAL PLATE CHECK VALVE STAINLESS STEEL DISC EPDM SEAT

Cast iron dual plate check valve for heating and water distribution.

Cast iron EN GJL-250 body coated with anti-corrosion epoxy painting, stainless steel disc and vulcanized EPDM seat.

Wafer type with short length and with a hoisting eye from DN200 to 600 for easy installation.

Certificate

3.1



Size : DN50 to DN600

Connection : Between flanges PN10/16, Class 150 (PN20)

Min Temperature : -10°C

Max Temperature : +110°C

Max Pressure : 16 Bars up to DN300

Specifications : EPDM vulcanized seat

Horizontal or vertical position with ascendant fluid

Wafer type

Hoisting eye from DN200 to 600

Weak headloss

Materials : Cast iron EN GJL-250 body

CAST IRON DUAL PLATE CHECK VALVE STAINLESS STEEL DISC EPDM SEAT

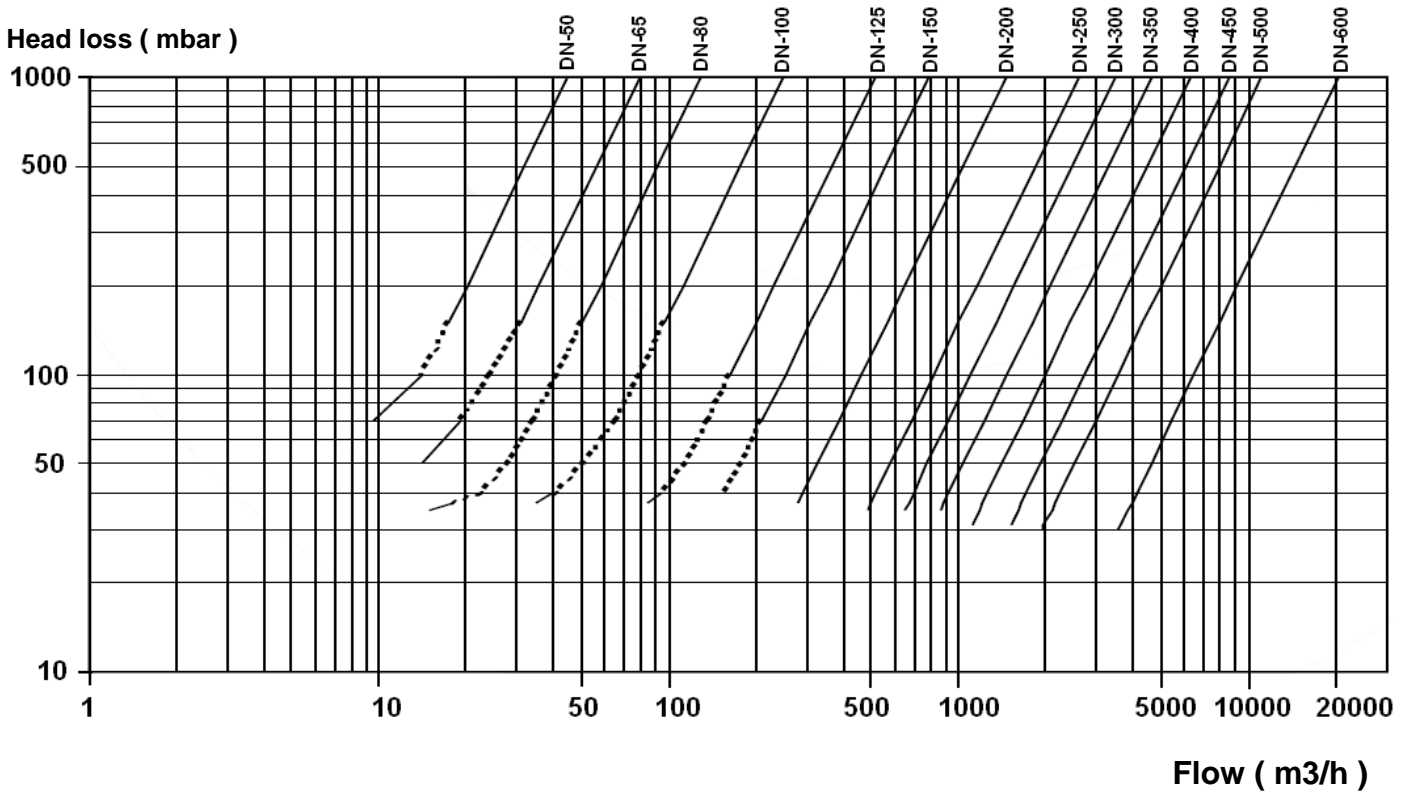
SPECIFICATIONS :

- Vulcanized gasket
- Hoisting eye from DN200 to 600
- Short length
- Anti-corrosion stainless steel spring
- PTFE bushing
- Weak head loss
- Vertical position with ascendant fluid or horizontal position (respect the flow direction indicated by the arrow)
- Between flanges PN10/16, and Class 150 PN20
- From DN50 to DN80 : 4 holes on the body to be compatible Class 150 (PN20)
- Epoxy painting RAL5005 80 microns thickness for the body
- Minimum backpressure for tightness : 2 bars

USE :

- Heating, water distribution
- Min and max Temperature Ts : - 10°C to + 110°C
- Max Pressure Ps : 16 bars up to DN300 included and 10 bars over
- **Do not use with pulsatory speed**

HEAD LOSS GRAPH :



OPENING PRESSURE (in mbar) :

DN	50	65	80	100	125	150	200	250	300
Horizontal position	230	94	190	280	160	79	41	38	31
Vertical position ascend. fluid	260	114	230	320	180	95	57	58	56

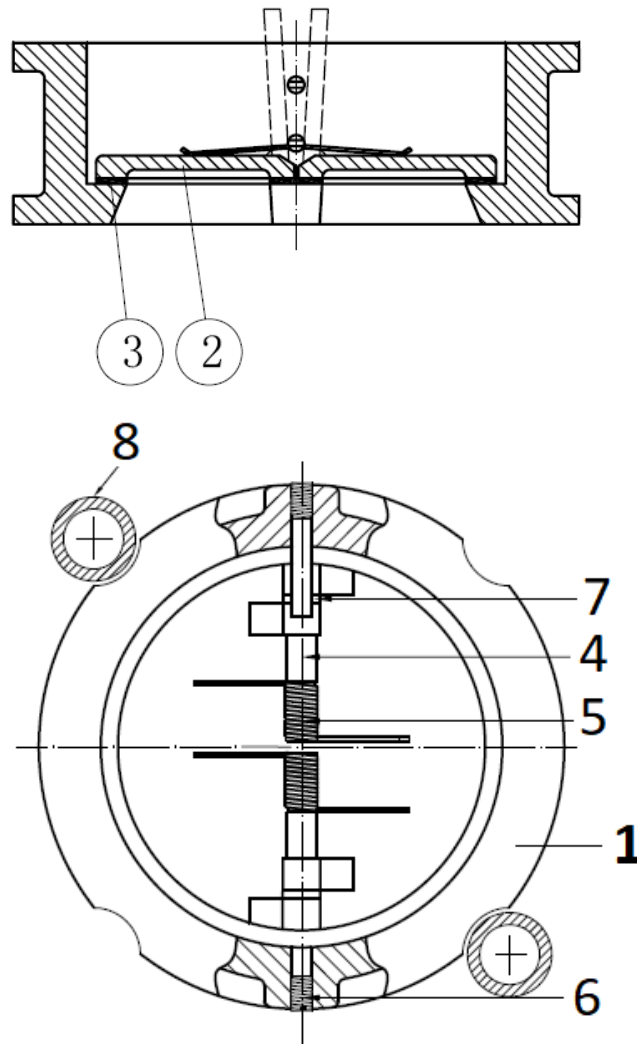
CAST IRON DUAL PLATE CHECK VALVE STAINLESS STEEL DISC EPDM SEAT

RANGE :

- Dual plate check valve with cast iron body and stainless steel disc between flanges PN10/16 **Ref. 371** From DN50 to DN 600
- Between flanges Class 150 PN20 possible
- From DN50 to DN80, 4 holes on the body to be compatible Class 150 (PN20)

For the connection PN10/16 in DN50 with holes, use the 2 rings for a good centering

MATERIALS DN50-80 :

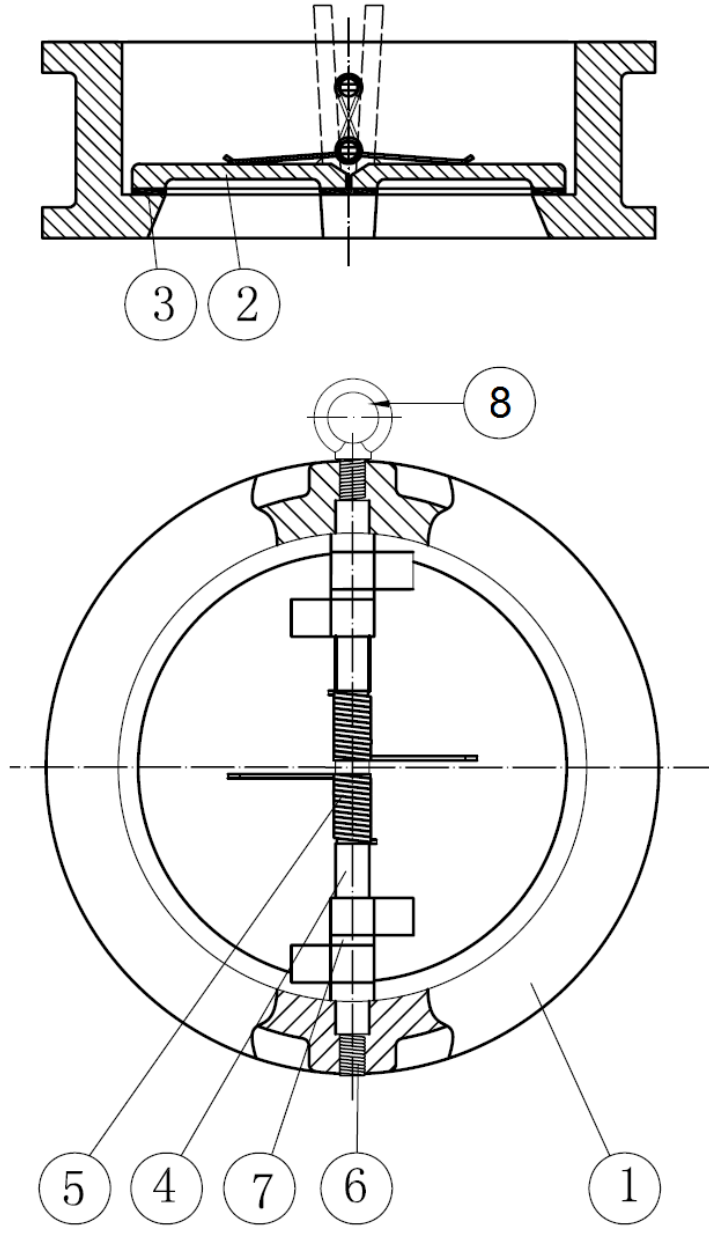


Item	Designation	Materials
1	Body	Cast iron EN-GJL 250
2	Disc	ASTM A351 CF8M
3	Seat	EPDM
4	Shaft	AISI 316
5	Spring	
6	Screw	Galvanized carbon steel
7	Spacer	PTFE
8 (only for DN50)	Ring	PPR

Sferaco 90 rue du Ruisseau 38297 St Quentin Fallavier Tel: + 33 (0) 474.94.15.90 Fax: + 33 (0) 474.95.62.08 Internet: www.sferaco.com E-mail : info@sferaco.fr

CAST IRON DUAL PLATE CHECK VALVE STAINLESS STEEL DISC EPDM SEAT

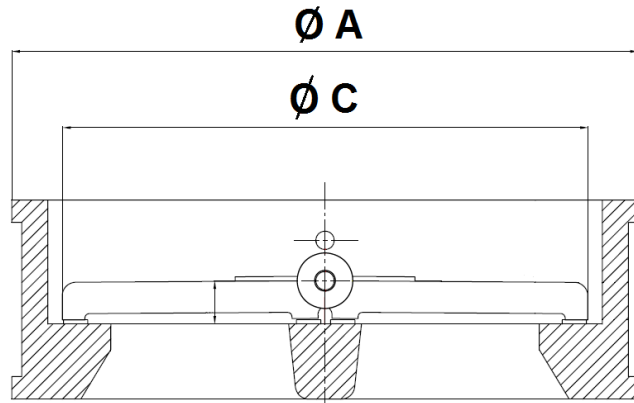
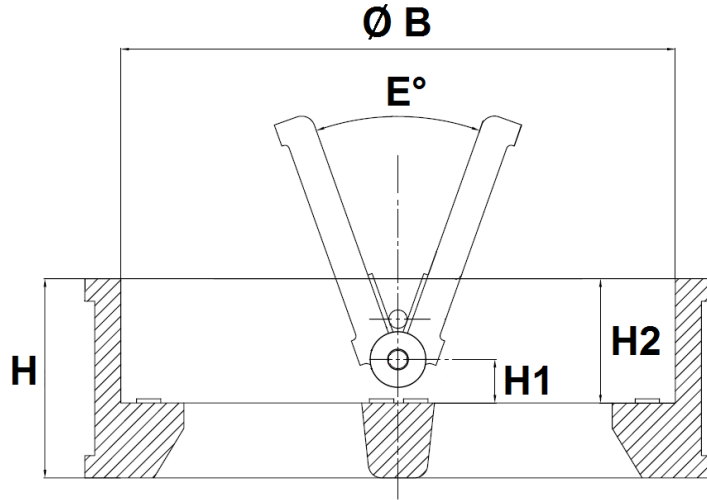
MATERIALS DN100 - 600 :



Item	Designation	Materials
1	Body	Cast iron EN-GJL 250
2	Disc	ASTM A351 CF8M
3	Seat	EPDM
4	Shaft	AISI 316
5	Spring	
6	Screw	Galvanized carbon steel
7	Spacer	PTFE
8	Hoisting eye (from DN200 to 600)	AISI 304

CAST IRON DUAL PLATE CHECK VALVE STAINLESS STEEL DISC EPDM SEAT

SIZE (in mm) :



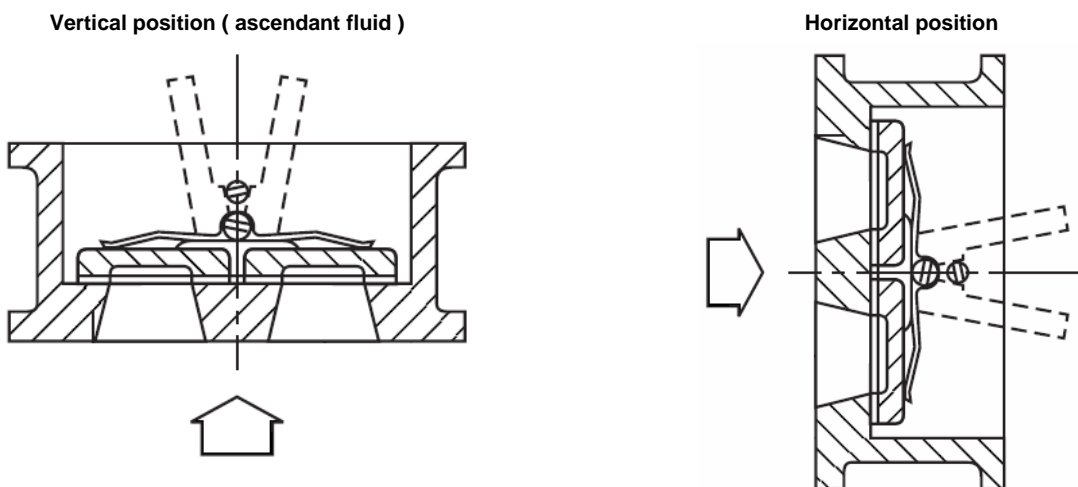
DN	50	65	80	100	125	150	200	250	300	350	400	450	500	600
H	54	54	57	64	70	76	95	108	143	184	191	203	213	222
H1	14.4	16.9	19.9	21	22.3	22.5	28	34	37	35	37.5	42.2	39.5	48.5
H2	43	43	45	47	51	54	69	71	100	120	123	122.6	132	138.5
Ø A	109	129	144	164	194	220	275	330	380	440	491	541	596	697
Ø B	70.5	83.5	91.5	115.5	142.5	169.5	220.5	275.5	325.5	356	406	467	514	616
Ø C	60.5	75.8	80.5	104.5	130.3	155.9	201.2	257.2	303.3	345.9	388.6	431.2	486.8	607.6
E°	0°	0°	0°	0°	0°	0°	0°	0°	0°	20°	20°	20°	25°	25°
Weight (Kg)	1.62	2.3	3.14	4.5	6.7	9.05	16	26.9	38.9	80	106	128	158	225
Ref.	371050	371065	371080	371100	371125	371150	371200	371250	371300	371350	371400	371450	371500	371600

CAST IRON DUAL PLATE CHECK VALVE STAINLESS STEEL DISC EPDM SEAT

STANDARDS :

- Manufacturer certified ISO 9001 : 2015
- DIRECTIVE 2014/68/EU : For liquids and gas of Group 1
 - DN50 : Risk category I, CE marking
 - DN65-200 : Risk Category II, CE 0035 marking
 - DN250-300 : Risk Category III, CE 0035 marking
 - DN350 : Risk Category II, CE 0035 marking
 - DN400-600 : Risk Category III, CE 0035 marking
- Certificate 3.1 on request
- Designing according to API 594
- Pressure tests according to API 598, table 6
- Length according to EN 558 Series 50
- Between flanges according to EN 1092-1 PN10/16
- Check valves according to LR Rules and Regulation for the classification of Ships, July 2019 (Type Approval Certificate) **Marine LLOYD'S REGISTER**. LR Type Approval System Test Specification Number 2, Chapter 8, Appendix 7-Valves :
 - BS EN 12266-1 : 2003
 - ISO 52008:2008
 - BS EN 1561
 - BS EN 1563
 - ASTM A431

INSTALLATION POSITIONS :



ADVICE : Our opinion and our advice are not guaranteed and SFERACO shall not be liable for the consequences of damages. The customer must check the right choice of the products with the real service conditions.