

BRASS BALL VALVE INDUSTRY TYPE DRY CLEANED FOR OXYGEN BSP

Brass ball valve industry type dry cleaned, full bore with flat end for closing networks of oxygen, argon or azote (do not use with acetylene).

PTFE packing and EPDM O ring on stem.



Size : DN1/4" to DN2"
Connection : Male, Female BSP
Min Temperature : -20°C
Max Temperature : +120°C
Max Pressure : 40 Bars (up to DN1")
Specifications : Anti blow-out stem (from DN1/2" to DN2")
PTFE packing + EPDM O ring on stem
Full bore

Materials : Brass CW617N according to EN 12165

BRASS BALL VALVE INDUSTRY TYPE DRY CLEANED FOR OXYGEN BSP

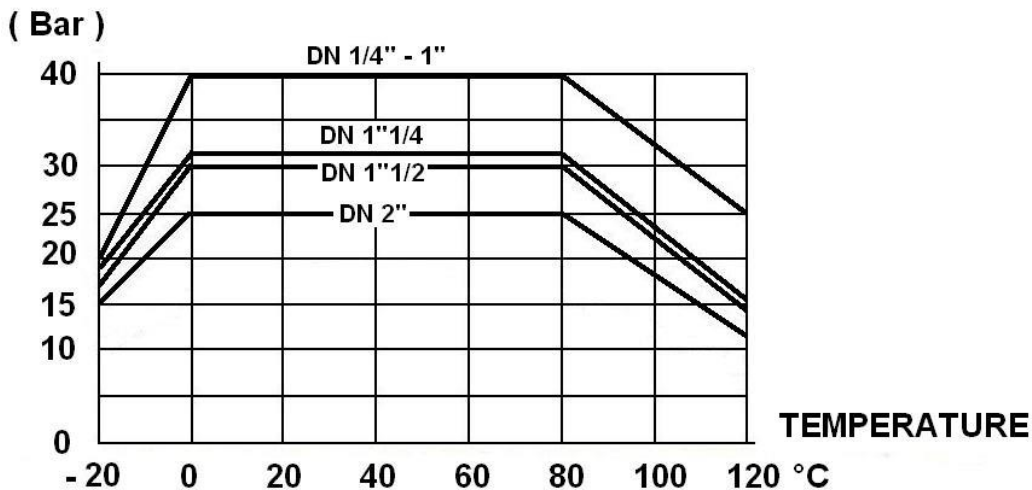
SPECIFICATIONS :

- Dry cleaned for oxygen
- Valves in plastic individual closed sachet
- Long threaded ends
- Full bore
- Anti blow-out stem
- Solid ball
- PTFE packing + EPDM stem O ring
- White flat steel handle or white aluminium butterfly handle
- Female or male cylindrical threaded BSP

USE :

- Oxygen, argon, azote ...
- Do not use with acetylene
- Min Temperature Ts : - 20 °C
- Max Temperature Ts : + 120°C
- Max Pressure Ps : 40 up to DN 1", 32 bars for DN 1"1/4, 30 bars for DN 1"1/2, 25 bars for DN 2" (see graph under)

PRESSURE / TEMPERATURE GRAPH (STEAM EXCLUDED) :

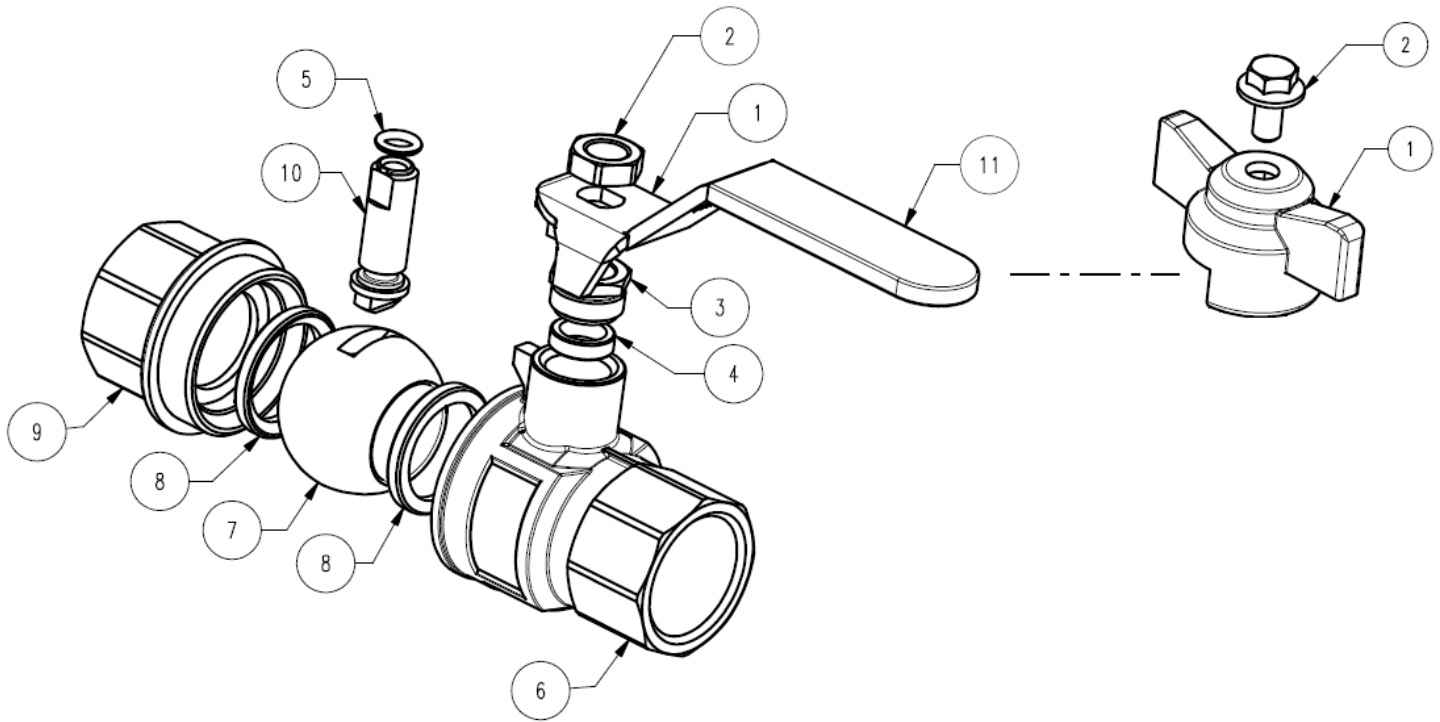


RANGE :

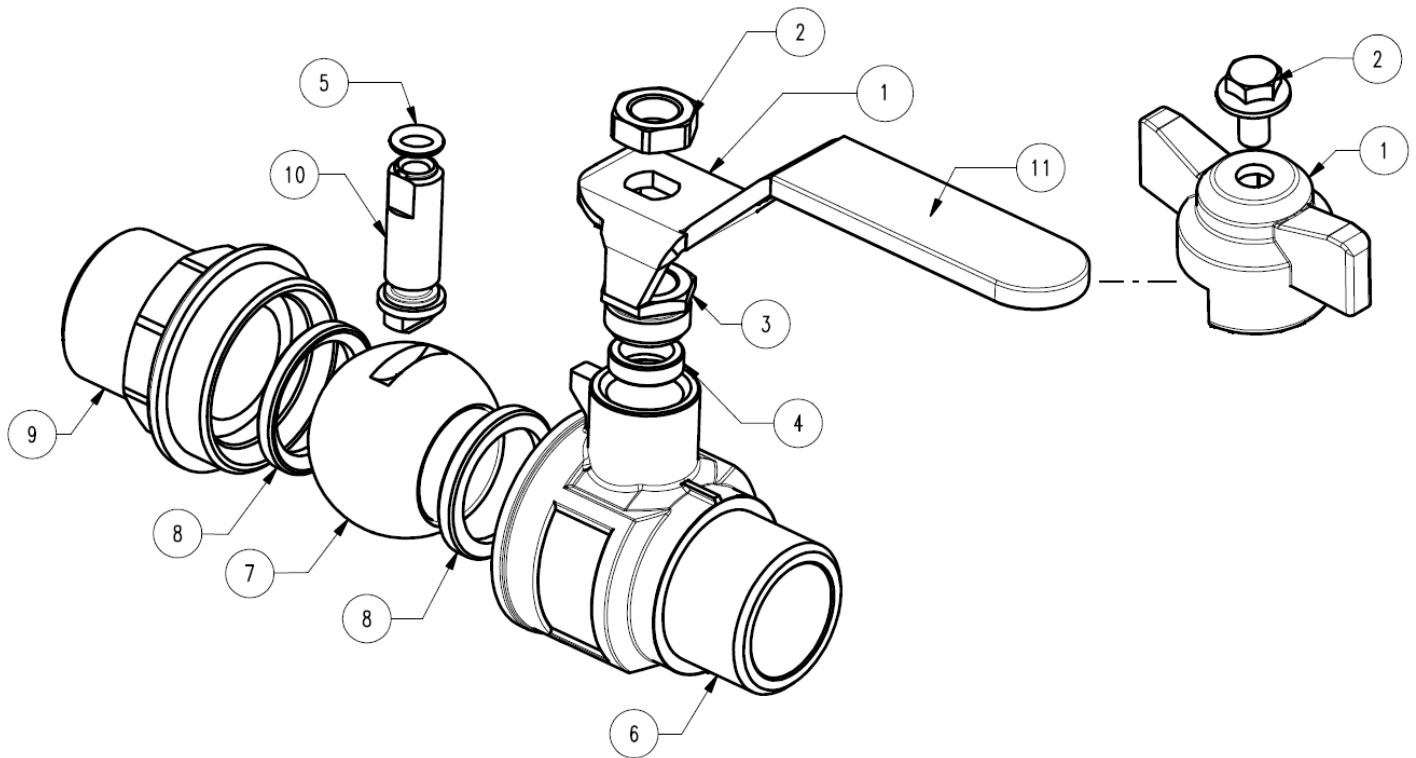
- Female / Female threaded BSP with white flat steel handle **Ref. 520** from DN 1/4" to 2"
- Female / Female threaded BSP with white aluminium butterfly handle **Ref. 561** from DN 1/4" to 1"
- Male / Male threaded BSP with white flat steel handle **Ref. 502** from DN 3/8" to 2"
- Male / Male threaded BSP with white aluminium butterfly handle **Ref. 5021** from DN 3/8" to 1"

BRASS BALL VALVE INDUSTRY TYPE DRY CLEANED FOR OXYGEN BSP

MATERIALS FEMALE-FEMALE TYPES REF.520 AND 561 :



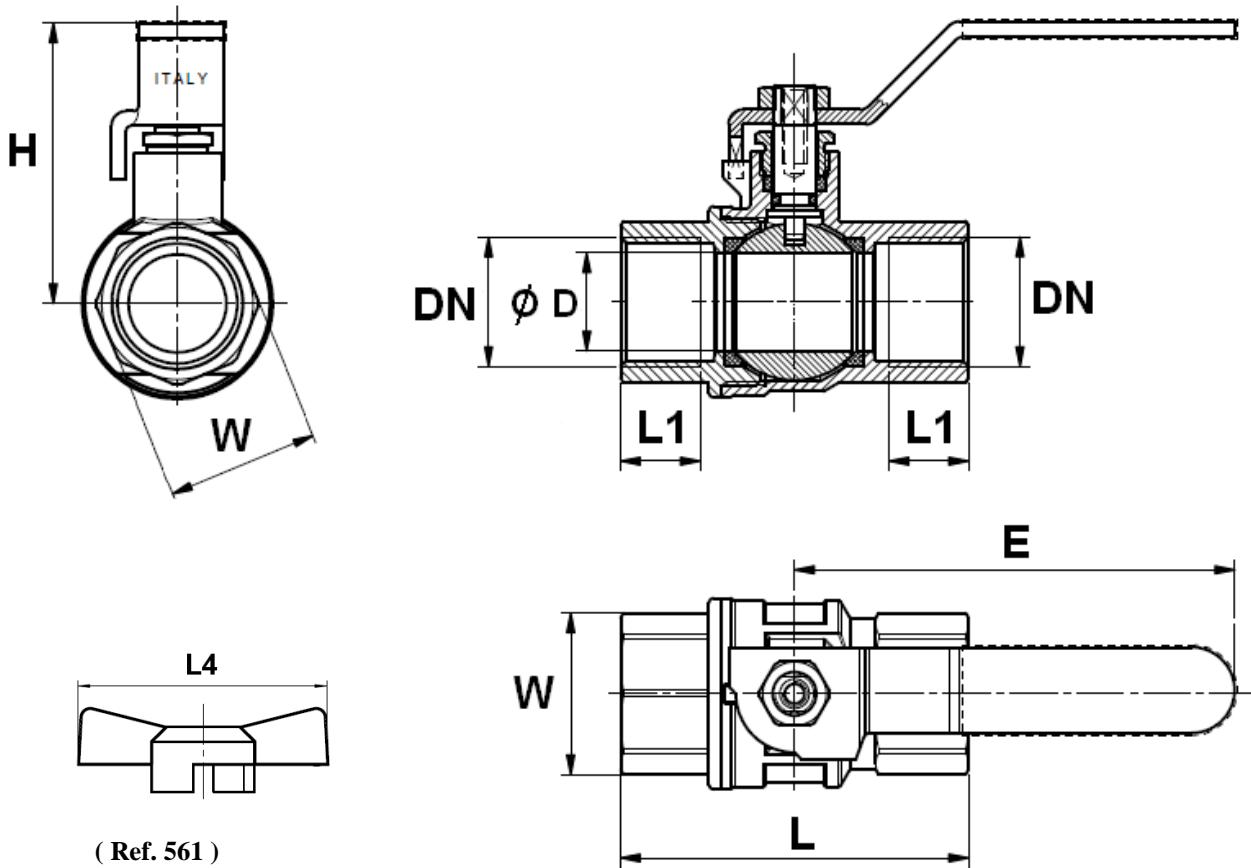
Item	Designation	Materials 520	Materials 561
1	Handle	Galvanized steel	Aluminium
2	Handle nut or screw	Steel	
3	Packing nut	Brass CW 614 N according to EN 12164	
4	Packing	PTFE	
5	O ring	EPDM	
6	Body	Nicked brass CW 617 N according to EN 12165	
7	Ball	Chromed brass CW 617 N according to EN 12165	
8	Seat	PTFE	
9	Bonnet	Nicked brass CW 617 N according to EN 12165	
10	Stem	Brass CW 614 N according to EN 12164	
11	Handle cover	Plastic	-

BRASS BALL VALVE INDUSTRY TYPE DRY CLEANED FOR OXYGEN BSP
MATERIALS MALE-MALE TYPES REF. 502 AND 5021 :


Item	Designation	Materials 502	Materials 5021
1	Handle	Galvanized steel	Aluminium
2	Handle nut or screw	Steel	
3	Packing nut	Brass CW 614 N according to EN 12164	
4	Packing	PTFE	
5	O ring	EPDM	
6	Body	Nicked brass CW 617 N according to EN 12165	
7	Ball	Chromed brass CW 617 N according to EN 12165	
8	Seat	PTFE	
9	Bonnet	Nicked brass CW 617 N according to EN 12165	
10	Stem	Brass CW 614 N according to EN 12164	
11	Handle cover	Plastic	-

BRASS BALL VALVE INDUSTRY TYPE DRY CLEANED FOR OXYGEN BSP

SIZE FEMALE-FEMALE TYPES REF.520 AND 561 (in mm) :

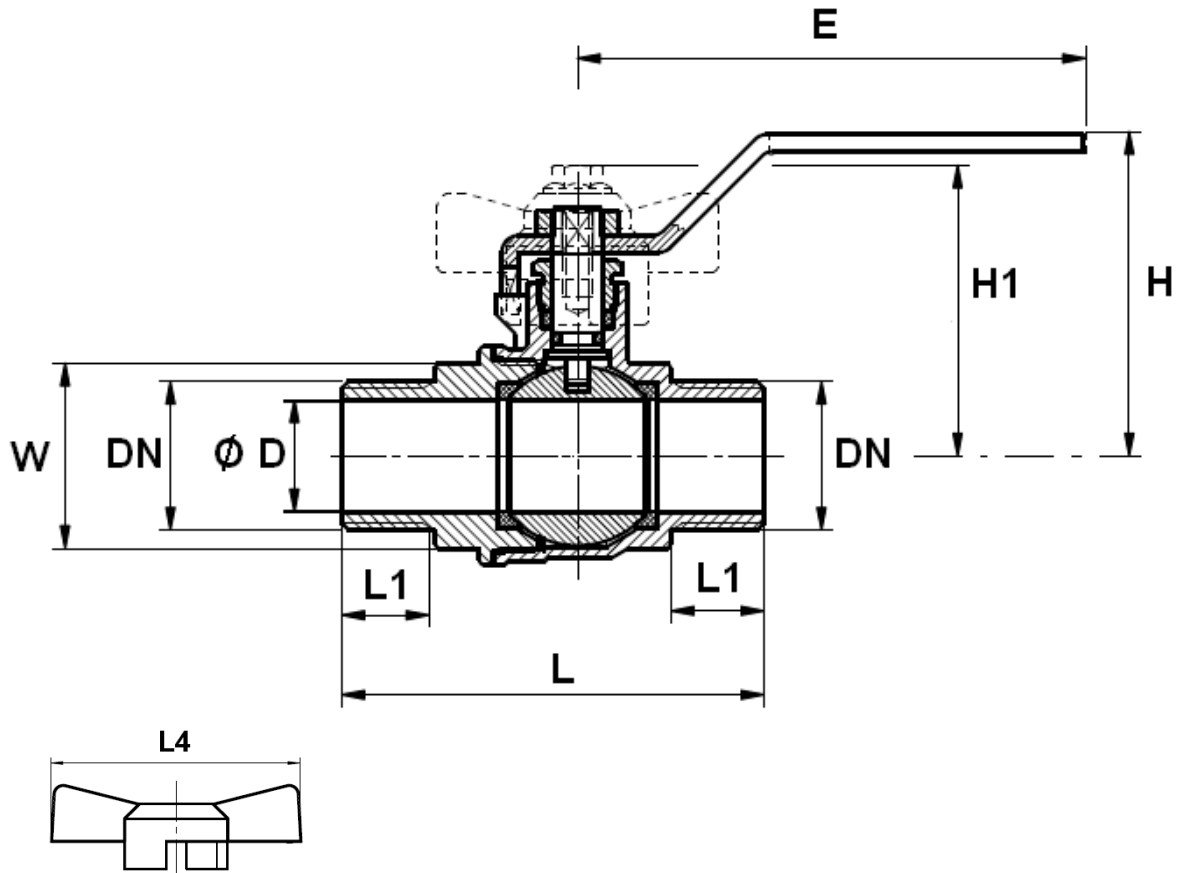


(Ref. 561)

Ref.	DN	1/4"	3/8"	1/2"	3/4"	1"	1"1/4	1"1/2	2"
520	Ø D	10	10	15	20	25	32	40	49
	L	46.5	46.5	62	71	81.5	92	102	126
	L1	10	10	15	16.3	19.1	21.4	21.4	26
	L4	50	50	50	50	65	-	-	-
561	E	80	80	90	90	130	130	150	150
	H	40.5	40.5	53.5	57.5	66.5	72	83.5	90
	W on flat	21	21	26	31	38	48	55	68
520	Weight (Kg)	0.141	0.125	0.260	0.340	0.609	0.878	1.337	1.99
561	Weight (Kg)	0.125	0.109	0.229	0.310	0.536	-	-	-

BRASS BALL VALVE INDUSTRY TYPE DRY CLEANED FOR OXYGEN BSP

SIZE MALE-MALE TYPES REF.502 AND 5021 (in mm) :



(Ref. 5021)

Ref.	DN	3/8"	1/2"	3/4"	1"	1"1/4	1"1/2	2"
502	Ø D	10	15	20	25	32	40	50
	L	51.5	65.5	75.5	85.5	89	102	116.5
	L1	11.5	15	16.5	19.5	16	17	18
	L4	50	50	50	65	-	-	-
5021	E	80	90	90	130	130	130	150
	H	40.5	53.5	57.5	66.5	72	78	91.5
	H1	37.5	48	52	62.5	-	-	-
	W on flat	21	26	31	38	42	48	60
502	Weight (in Kg)	0.135	0.260	0.360	0.610	0.745	1.025	1.840
5021	Weight (in Kg)	0.120	0.250	0.350	0.545	-	-	-

BRASS BALL VALVE INDUSTRY TYPE DRY CLEANED FOR OXYGEN BSP

STANDARDS :

- Manufacturer certified ISO 9001 : 2015
- DIRECTIVE 2014/68/EU : Products excluded from directive up to DN1" (Article 4, § 3)
Risk category I module A from DN1"1/4 to DN2"
- Threaded male and female cylindrical BSP ends according to ISO 228-1
- Degreased according to NF EN ISO 23208

ADVICE : Our opinion and our advice are not guaranteed and SFERACO shall not be liable for the consequences of damages.
The customer must check the right choice of the products with the real service conditions.