

## LOCKABLE BRASS BALL VALVE FEMALE BSP SFERALOCK

Lockable brass ball valves Sferalock full bore with large flat sealing face for water networks, heating, watering, cooling and compressed air.

2 NBR O ring on stem.

Non anti blow-out stem, inviolable with unmountable screws.

Lockable on 4 safety points in opening or closing position.



**Size :** DN1/4" to DN2"

**Connection :** Female BSP

**Min Temperature :** -10°C

**Max Temperature :** +120°C

**Max Pressure :** 40 Bars (up to DN1")

**Specifications :** Locking device with 4 safety points

Indicator position

Full bore

**Materials :** Brass CW617N according to EN 12165

**LOCKABLE BRASS BALL VALVE FEMALE BSP SFERALOCK**

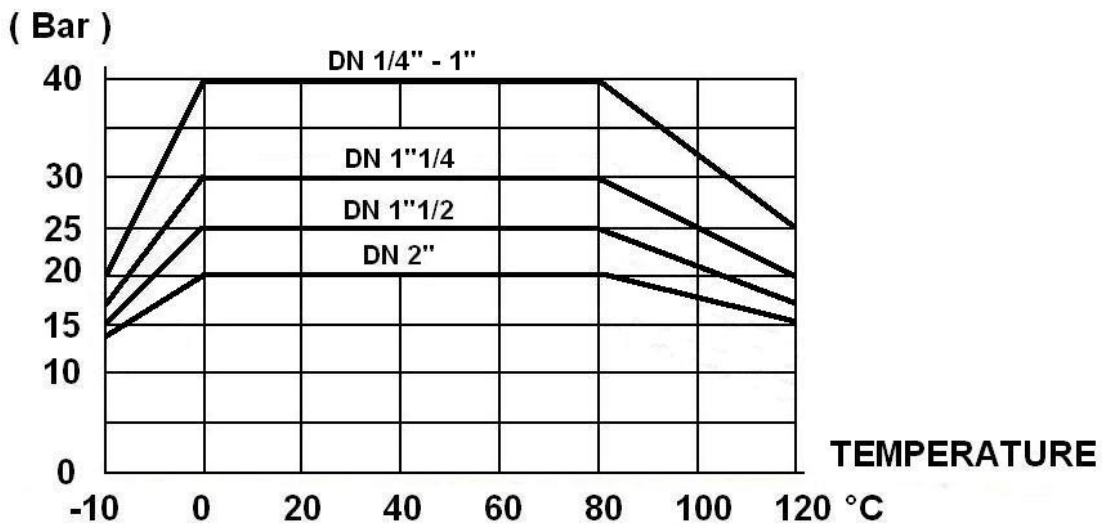
**SPECIFICATIONS :**

- With locking device ( 4 safety points )
- Inviolable stem
- Position indicator
- Full bore
- Solid ball
- NBR O ring on stem
- No anti blow out stem
- Blue flat steel handle
- Threaded BSP cylindrical ends

**USE :**

- Water distribution, heating, watering, cooling and compressed air
- Min Temperature Ts : - 10 °C
- Max Temperature Ts : + 120°C
- Max Pressure Ps : 40 bars up to DN1", 30 bars for DN1"1/4, 25 bars for DN1"1/2 and 20 bars for DN2" ( see graph )
- Compressed air : 20 bars max

**PRESSURE / TEMPERATURE GRAPH ( STEAM EXCLUDED ) :**

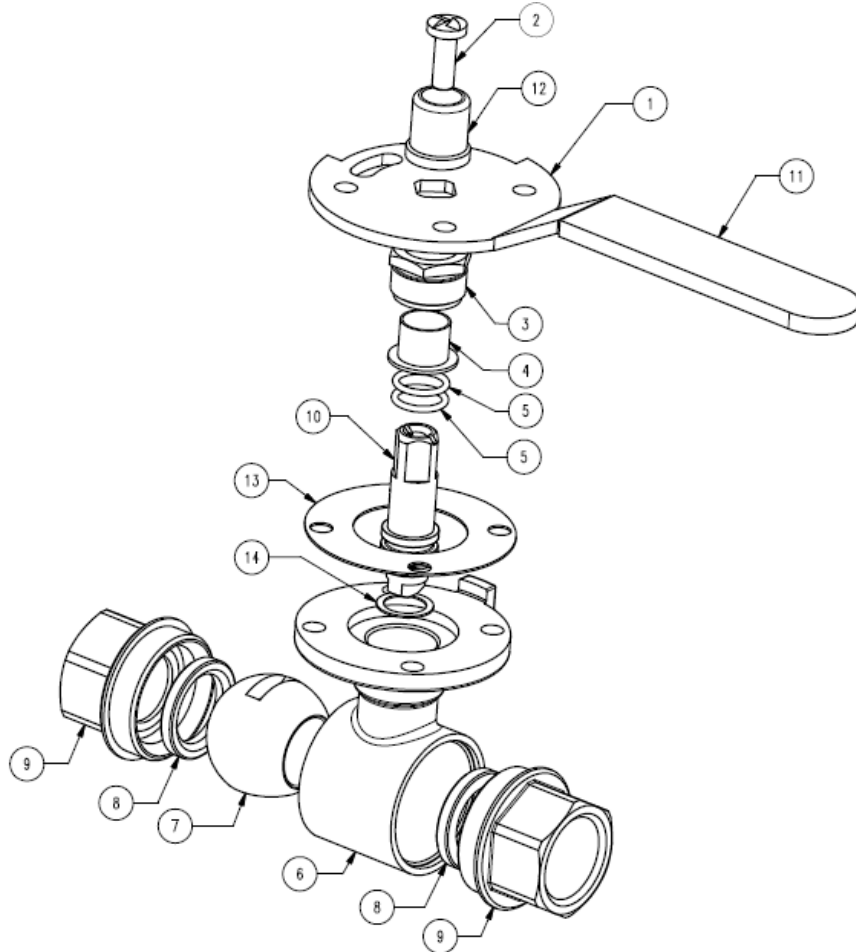


**RANGE :**

- Lockable brass ball valve Female / Female threaded BSP Ref. 556 from DN1/4" to DN2"

LOCKABLE BRASS BALL VALVE FEMALE BSP SFERALOCK

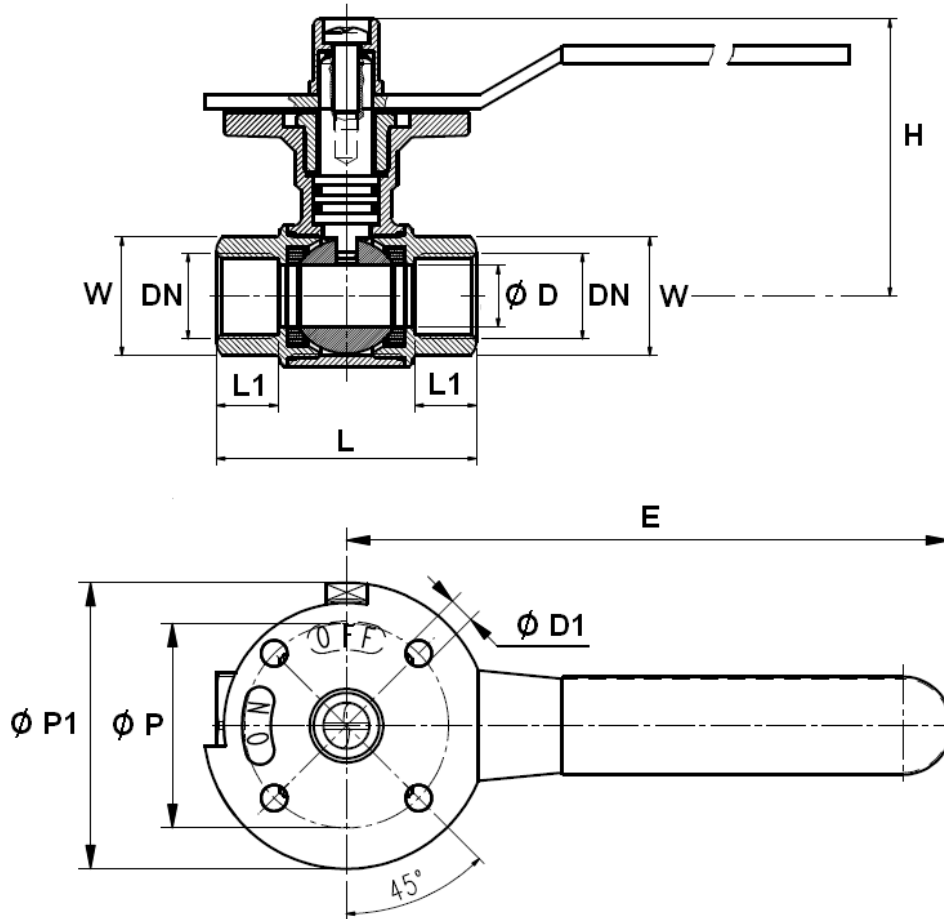
**MATERIALS :**



Item	Designation	Materials
1	Handle	Galvanized steel
2	Screw handle	Stainless steel
3	Packing nut	Brass CW614N according to EN12164
4	Ring	PTFE
5	O ring	NBR
6	Body	Brass CW617N according to EN12165 nickered
7	Ball	Brass CW617N according to EN12165 chromed
8	Seat	PTFE
9	Bonnet	Brass CW617N according to EN12165 nickered
10	Stem	Brass CW614N according to EN12164
11	Handle cover	Plastic
12	Screw protection	Brass CW614N according to EN12164 nickered
13	Position indicator	Aluminium
14	Ring	PTFE

LOCKABLE BRASS BALL VALVE FEMALE BSP SFERALOCK

SIZE ( in mm ) :



DN	1/4"	3/8"	1/2"	3/4"	1"	1"1/4"	1"1/2"	2"
Ø D	10	10	15	20	25	32	40	49
Ø D1	6.4	6.4	6.4	6.4	6.4	6.4	6.4	6.4
L	63.5	63.5	63.5	72	86	96	107	124
L1	15	15	15	17	20	22	22	26
E	147.5	147.5	147.5	147.5	147.5	147.5	147.5	147.5
H	67.5	67.5	67.5	71.5	75.5	79.5	91.5	97
Ø P	50	50	50	50	50	50	50	50
Ø P1	70	70	70	70	70	70	70	70
W on flat	26	26	26	32	39	49	55	68
Weight (Kg)	0.71	0.68	0.66	0.79	1.02	1.3	1.75	2.4
Ref.	556002	556003	556004	556005	556006	556007	556008	556009

**LOCKABLE BRASS BALL VALVE FEMALE BSP SFERALOCK**

**STANDARDS :**

- Manufacturer certified ISO 9001 : 2015
- DIRECTIVE 2014/68/EU : Products excluded from directive up to DN1" ( Article 4, § 3 )  
Risk category I module A from DN1"1/4 to DN2"
- Threaded BSP cylindrical ends according to ISO 228-1

**ADVICE :** Our opinion and our advice are not guaranteed and SFERACO shall not be liable for the consequences of damages.  
The customer must check the right choice of the products with the real service conditions.