

LOCKABLE BRASS BALL VALVE FEMALE BSP SFERALOCK WITH DECOMPRESSION HOLE

Lockable brass ball valves Sferalock with decompression hole, full bore with large flat sealing face for water networks, heating, watering, cooling and compressed air.

2 NBR O ring on stem.

Non anti blow-out stem, inviolable with unmountable screws.

Lockable on 4 safety points in opening or closing position.



Size : DN1/4" to DN1"

Connection : Female BSP

Min Temperature : -10°C

Max Temperature : +120°C

Max Pressure : 40 Bars

Specifications : Locking device with 4 safety points

Indicator position

Full bore

Materials : Brass CW617N according to EN 12165

LOCKABLE BRASS BALL VALVE FEMALE BSP SFERALOCK WITH DECOMPRESSION HOLE

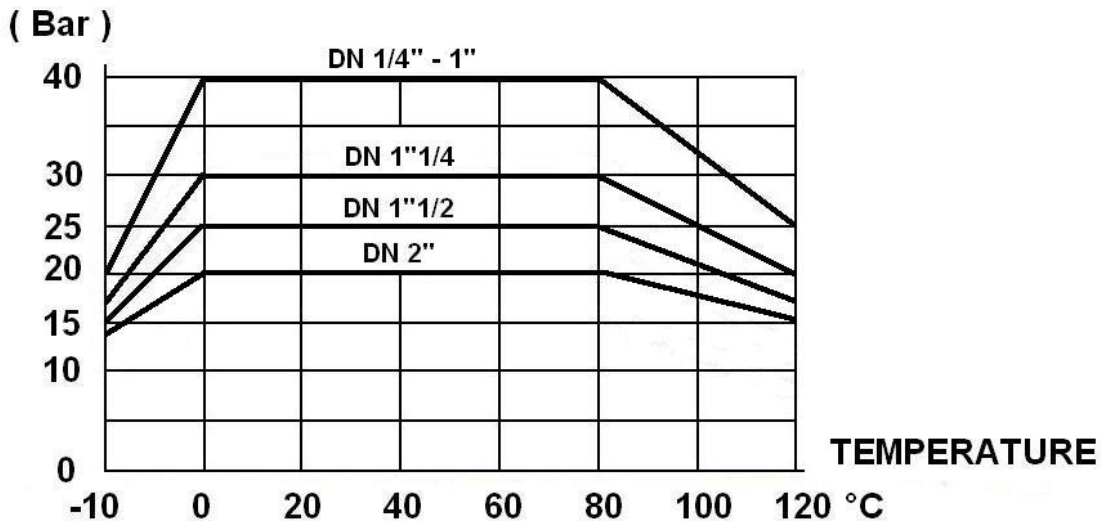
SPECIFICATIONS :

- With locking device (4 safety points)
- Inviolable stem
- Position indicator
- Full bore
- Solid ball
- NBR O ring on stem
- No anti blow out stem
- Blue flat steel handle
- Threaded BSP cylindrical ends
- Decompression hole

USE :

- Water distribution, heating, watering, cooling and compressed air
- Min Temperature Ts : - 10 °C
- Max Temperature Ts : + 120°C
- Max Pressure Ps : 40 bars (see graph)
- Compressed air : 10 bars max

PRESSURE / TEMPERATURE GRAPH (STEAM EXCLUDED) :



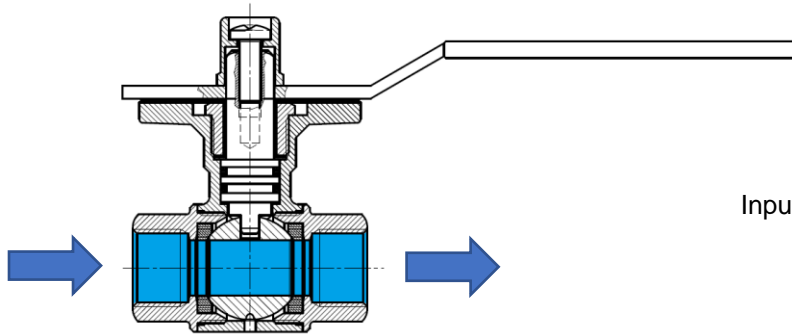
RANGE :

- Lockable brass ball valve with decompression hole Female / Female threaded BSP Ref. 557 from DN1/4" to DN1"

LOCKABLE BRASS BALL VALVE FEMALE BSP SFERALOCK WITH DECOMPRESSION HOLE

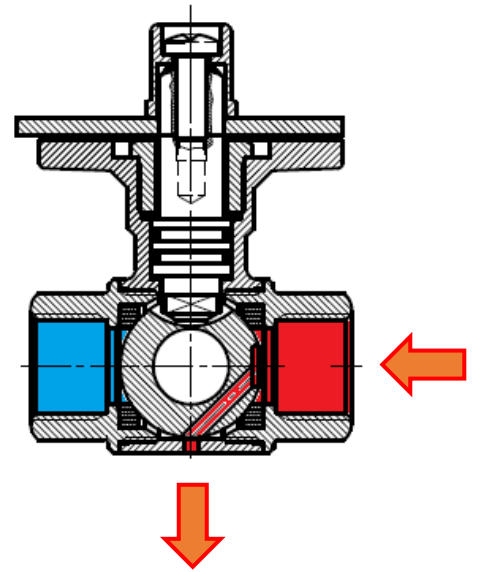
WORKING POSITIONS :

OPENED VALVE



CLOSED VALVE

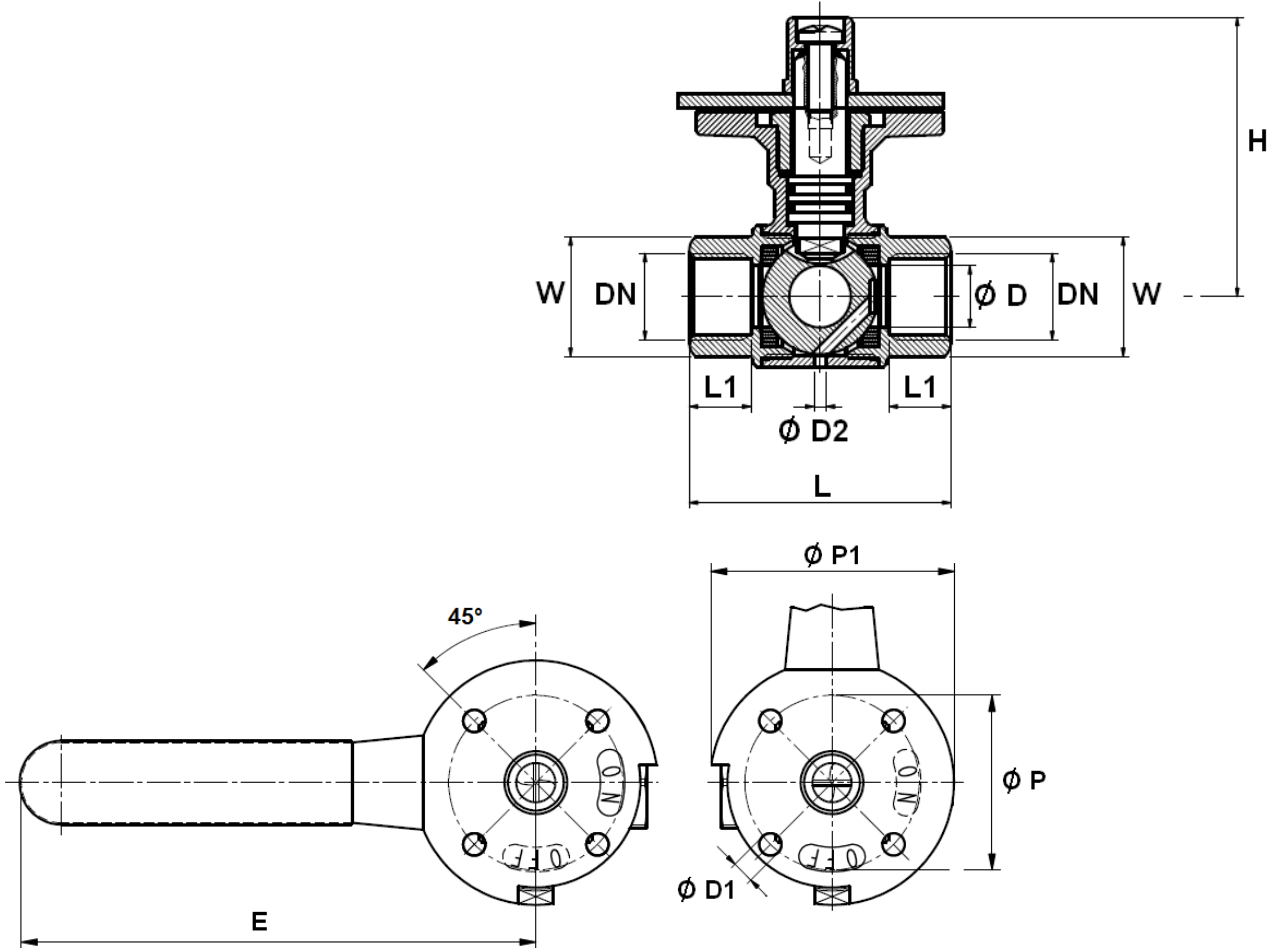
Input stoped



Output in decompression

LOCKABLE BRASS BALL VALVE FEMALE BSP SFERALOCK WITH DECOMPRESSION HOLE

SIZE (in mm) :



DN	1/4"	3/8"	1/2"	3/4"	1"
Ø D	10	10	15	20	25
Ø D1	6.4	6.4	6.4	6.4	6.4
Ø D2	3	3	3	3	3
L	63.5	63.5	63.5	72	86
L1	15	15	15	17	20
E	147.5	147.5	147.5	147.5	147.5
H	67.5	67.5	67.5	71.5	75.5
Ø P	50	50	50	50	50
Ø P1	70	70	70	70	70
W on flat	26	26	26	32	39
Weight (in Kg)	0.7	0.69	0.65	0.79	1
Ref.	557002	557003	557004	557005	557006

LOCKABLE BRASS BALL VALVE FEMALE BSP SFERALOCK WITH DECOMPRESSION HOLE

STANDARDS :

- Manufacturer certified ISO 9001 : 2015
- DIRECTIVE 2014/68/EU : Products excluded from directive up to DN1" (Article 4, § 3)
Risk category I module A from DN1"1/4 to DN2"
- Threaded BSP cylindrical ends according to ISO 228-1

ADVICE : Our opinion and our advice are not guaranteed and SFERACO shall not be liable for the consequences of damages.
The customer must check the right choice of the products with the real service conditions.