

502 BALL VALVE

FEATURES

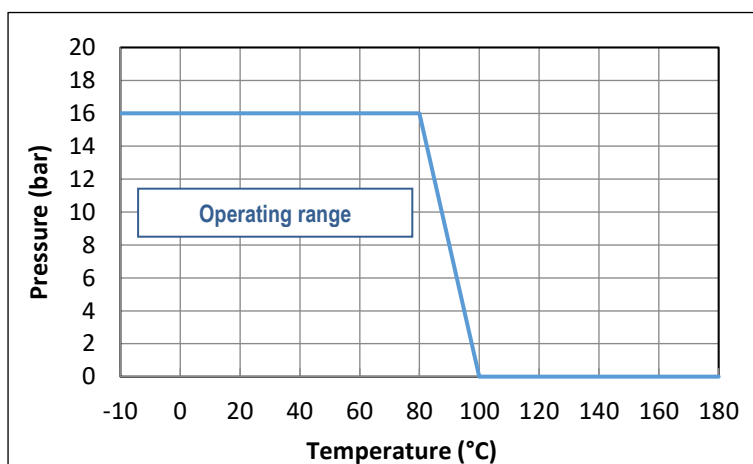
The brass 2-way ball valve 502 provides the shut-off function for networks of usual non-corrosive fluids: water, air, hydrocarbons, etc. It is a full-bore valve. It is EC- and ACS-approved (French health compliance certificate). The ISO 5211 mounting pad allows the actuator to be directly assembled.

AVAILABLE MODELS

CW 617N brass body.
1/4" to 4" diameters.
G thread connections.

LIMITS OF USE

Fluid pressure: PS	16 bar
Fluid temperature: WT	-10°C / +100°C



1/2" to 4"

DIRECTIVES AND MANUFACTURING STANDARDS

OBJECT	Standard	ON	OBJECT	Standard
Pressure Equipment Directive 2014/68/EC	1/4" to 1": article A4 § 3		French health compliance certificate (A.C.S.)	1/4" - 3/8": not certified
	1" 1/4 to 1"1/2: category I			1/2" to 1"1/2: ACS
	2" to 4": category II	ICIM 0425		2" to 4": ACS
Size	EN 12516-4		Connection Motorisation	ISO 5211
Brass grade	NKS 12240			
Final test	NKS 12266			

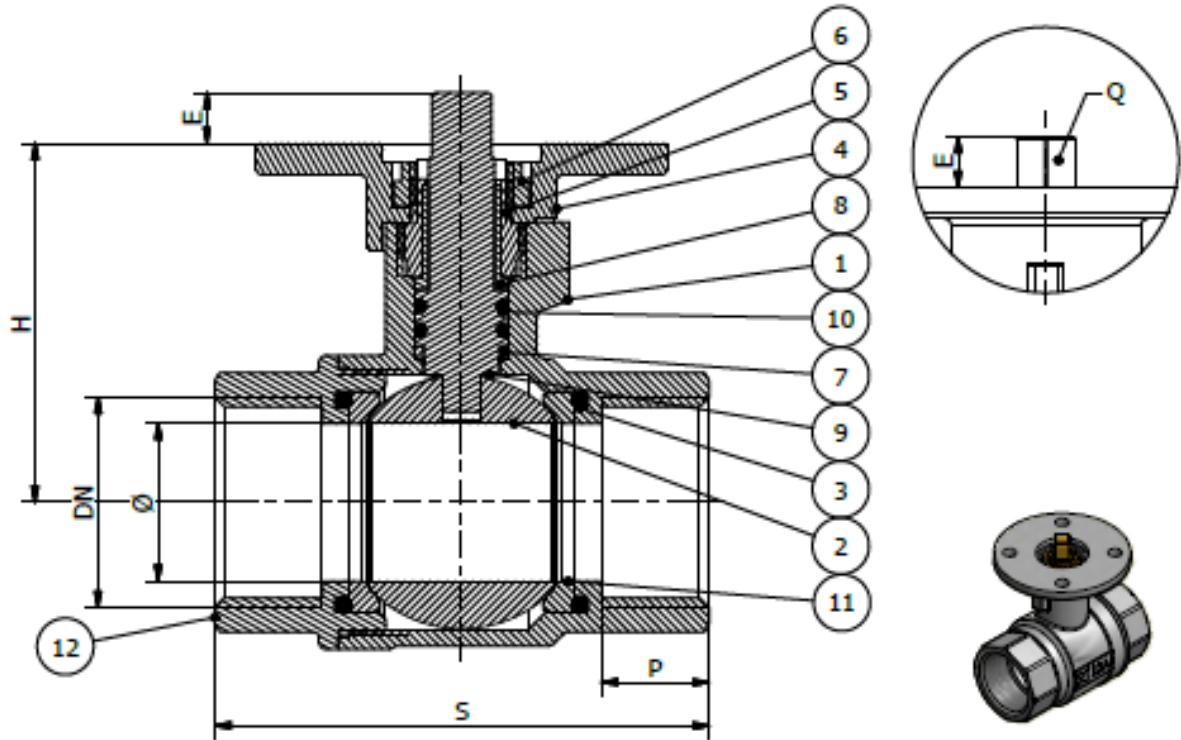
Information given as an indication only, and subject to possible modifications



502 BALL VALVE

CONSTRUCTION

No.	Name	Material	No.	Name	Material
1	Body	Nickel-plated CW 617N brass	7	Anti-friction ring	PTFE
2	Ball	Chromium-plated CW 617N brass	8	Anti-friction coupling	PTFE
3	O-ring (DN 2" ½ to 4")	NBR	9	Stem	CW 614N brass
4	Motorisation flange	Nickel-plated CW 617N brass	10	O-ring	NBR / FPM
5	Nut	CW 614N brass	11	Seat	PTFE
6	Nut	CW 614N brass	12	End	Nickel-plated CW 617N brass



DIMENSIONS (mm)

DN	1/4"	3/8"	1/2"	3/4"	1"	1"1/4	1"1/2	2"	2"1/2	3"	4"
Ø	10	10	15	20	25	32	40	48	64	78	100
S	50	60	63.5	72	86	96	107	115	141	159	195
P	10	11	14	16	17	18	19	21	25	25	30
H	33	34	45	48.5	52.5	56.5	68	79	92	102	129
E	9	9	13	13	13	13	13	10	12	12	18
Q	9	9	11	11	11	11	11	11	14	14	17
ISO	F03	F03	F04-F05	F04-F05	F04-F05	F05	F05	F05	F05	F05	F07

Information given as an indication only, and subject to possible modifications

