

513-514 VALVE WITH SF SWITCH BOX

FEATURES

Brass 3-way ball valves 513+SF (L-shape) and 514+SF (T-shape) provide mixing, distribution and manual distribution functions for non-loaded industrial fluids with position display and information return to the control. It is a reduced bore valve. It is EC- and ACS-approved (French health compliance certificate). The SF switch box is equipped as standard with 2 dry switches. Due to its IP67 leak-tightness, it can be installed both indoors and outdoors. Different contacts and detectors are available as options. Lockable handle.

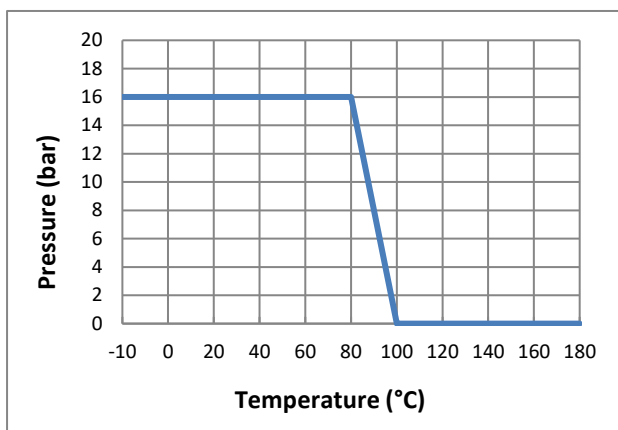
AVAILABLE MODELS

Brass body - reduced bore.
1/4" to 2" diameters.
G thread connections.
Electrical connection: 2 x M20x1.5.



LIMITS OF USE

Fluid pressure: WP	16 bar
Fluid temperature: WT°	- 10°C / +100°C
Ambient temperature	- 10°C / +80°C
IP code	IP 67



DIRECTIVES AND MANUFACTURING STANDARDS

OBJECT	Standard	ON	OBJECT	Standard
Pressure Equipment Directive 2014/68/EC	1/4" to 1": not subject		Motorisation connection	ISO 5211
	1" 1/4 to 2": category II	PASCAL 1115		
Operates on drinking water	ACS	CARSO		

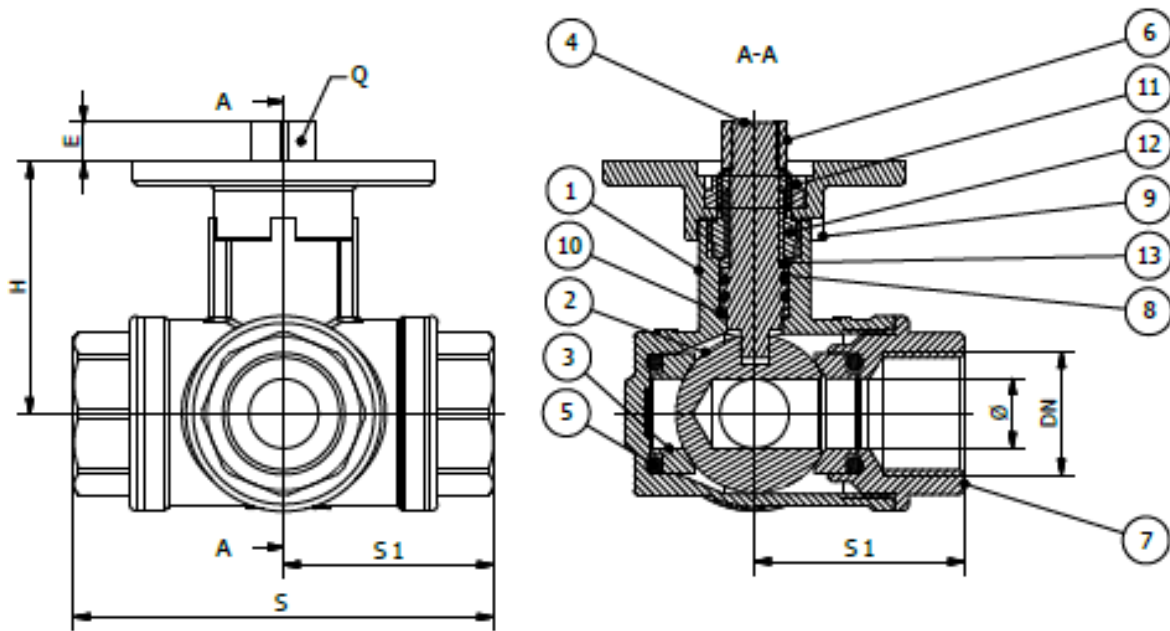
Information given as an indication only, and subject to possible modifications



513-514 VALVE WITH SF SWITCH BOX

CONSTRUCTION

No.	Name	Material	No.	Name	Material
1	Body	CW 617N brass	8	O-ring	FPM
2	Sphere	CW 614N brass	9	ISO 5211 mounting pad	CW 617N brass
3	Seat	PTFE	10	Anti-friction washer	PTFE
4	Stem	CW 614N brass	11	Nut	CW 614N brass
5	O-ring	FPM	12	Nut	CW 614N brass
6	Square shank	CW 614N brass	13	Anti-friction bearing	PTFE
7	End	CW 617N brass			

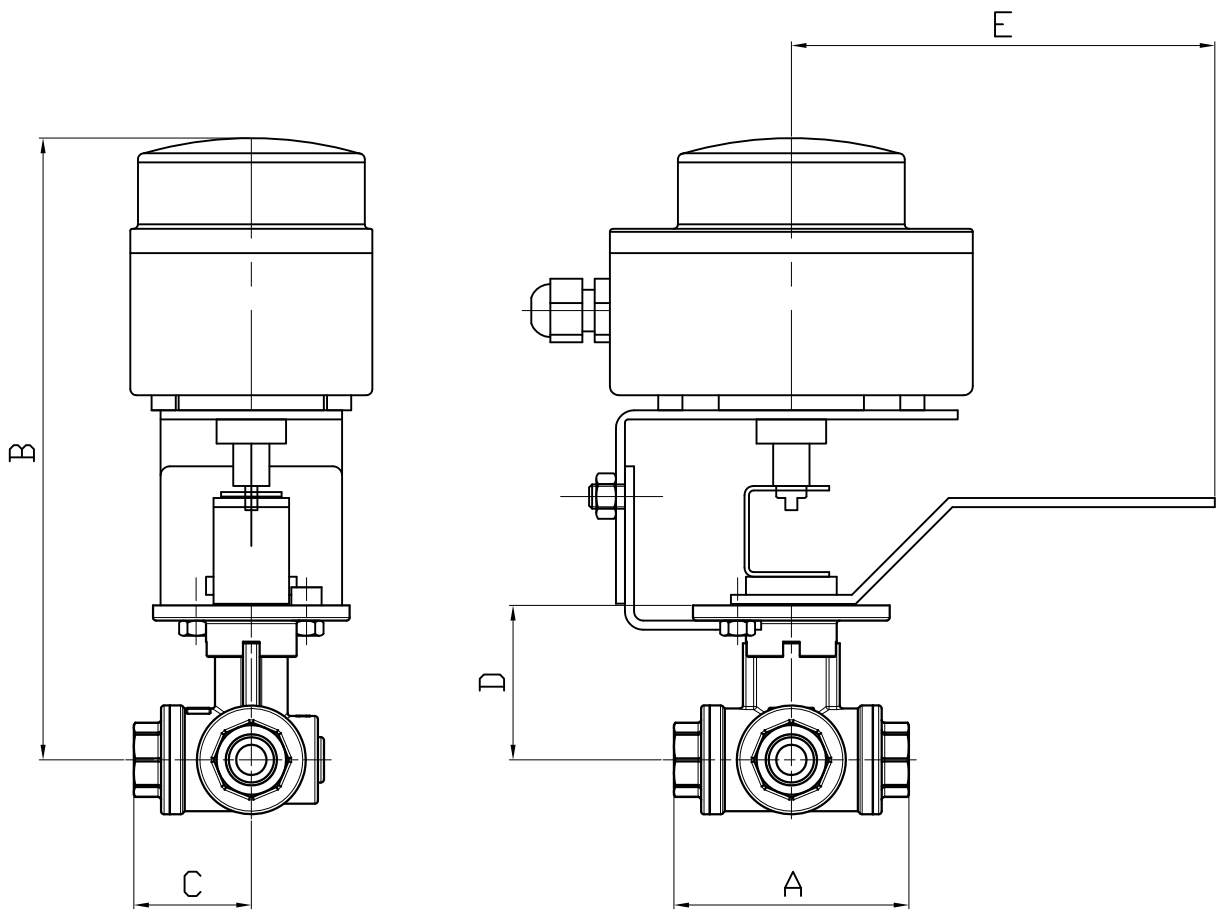


DIMENSIONS (mm)

DN	1/4"	3/8"	1/2"	3/4"	1"	1"1/4	1"1/2	2"
S	76	78	82	90	106	120	143	165
S1	38	38	41	45	53	60	71	82.5
Ø	10	10	10	15	20	25	32	40
P	18	18	17	18.5	20	23.5	28.5	32
H	50.5	50.5	50.5	53.5	63	67	73	80
E	8	8	8	10	10	12	12	12
Q	11	11	11	11	11	14	14	14
ISO	F05	F05	F05	F05	F05	F05	F05	F05

Information given as an indication only, and subject to possible modifications





DN	1/4"	3/8"	1/2"	3/4"	1"	1 1/4"	1 1/2"	2"
A	76	78	82	90	106	120	143	165
B	215.5	215.5	215.5	218.5	228	232	238	245
C	38	38	41	45	53	60	71	82.5
D	50.5	50.5	50.5	53.5	63	67	73	80
E	110	110	110	110	135	135	165	165
KG	1.6	1.6	1.6	1.75	2.27	2.75	5.02	6.82

SF-TYPE SOLDO SWITCH BOXES

FEATURES

The SF-type switch box is intended for equipping quarter-turn pneumatic actuators and manual valves. It makes it possible to have an easy, direct view of the valve position and of the feedback information to control. Of robust construction, it can be installed outdoors. The position indicator provides a very good visual reading of the valve position. The SF switch box can be equipped with many switches and detectors (see below). The notched cams can be manually adjusted with great accuracy, and are insensitive to vibrations.

AVAILABLE MODELS

SF: IP67 model



LIMITS OF USE

Ambiant temperature	-20°C / +80°C
IP Code	IP 67
SF	Outside ATEX zone

MECHANICAL CONNECTION

Axis dimension	According to VDI/VDE 3845
Attachment	ISO 5211 F05
Stainless steel arches for attachment on to the actuator	<u>NAMUR 0</u> : 50x25x20 mm <u>NAMUR 1</u> : 80x30x20 mm <u>NAMUR 2</u> : 80x30x30 mm <u>NAMUR 3</u> : 130x30x30 mm <u>NAMUR 4</u> : 130x30x50 mm

ELECTRICAL CONNECTION

Standard cable inputs	2 x M20x1.5
-----------------------	-------------

CONSTRUCTION

Casing and lid	Aluminium
Coating	Polyester paint
Stem	Stainless steel
Dome	Polycarbonate



Information given as an indication only, and subject to possible modifications



SF-TYPE SOLDO SWITCH BOXES

SWITCH DETAILS SF model

Ref.	Switch	Features
01	SPDT el.mech. switch silver plated contacts	Max 5A-250Vac / min 50mA-250Vac Max 5A-125Vac / min 50mA-125Vac Max 3A-24Vdc / min 50mA-24Vdc
03	SPDT el.mech. switch gold plated contacts (for Exia cert)	Max 1,8A/3A-250Vac / min 5mA-250Vac Max 2A/3A-125ac / min 5mA-125Vac Max 1,2A/1,5A-24Vdc / min 1mA-24Vdc
1F	DPDT el.mech. switch silver plated contacts	
C4	SPDT magnetic hermetically sealed reed switch.	Max 0,1A-120Vac / 1A-24Vdc
C8	DPDT magnetic hermetically sealed reed switch.	Max 0,1A-120Vac / 1A-24Vdc
N1	SPDT magnetic hermetically sealed silver plated snap acting contacts	Max 5A-250Vac / 5A-28Vdc
N3	SPDT magnetic hermetically sealed gold plated snap acting contacts	Max 1A-250Vac / 1A-30Vdc
N4	DPDT magnetic hermetically sealed silver plated snap acting contacts	Max 5A-250Vac / 5A-28Vdc
60	Inductive proximity NAMUR sensor SJ3,5-N	2 wire NC logic (for Exia cert)
62	Inductive proximity NAMUR sensor SJ3,5-SN	2 wire NC logic (for Exia cert, safety funct. low temp)
63	Inductive proximity NAMUR sensor - SJ3,5-S1N	2 wire NO logic (for Exia cert, safety funct)
70	Inductive proximity NAMUR - NJ2-V3-N	2 wire (for Exia cert)
73	Inductive proximity sensor (+70°C max.) - NBB2-V3-E2	P+F - 3 wire PNP NO amplified 10-30 Vdc, 100 mA
75	Inductive proximity sensor - IS 5026	IFM - 2 wire NO/NC amplified 5-36 Vdc, 200 mA
83	Inductive proximity sensor - NBB3-V3-Z4	P+F - 2 wire NO amplified 5-60 Vdc, 100 mA
TO	4-20 mA position transmitter	12-30 Vdc
HO	4-20 mA HART position transmitter	Atex Ex ia IIC T6 / T4 – certified 8-30Vdc

OPTIONS

There are many options for which you are invited to contact our sales service:

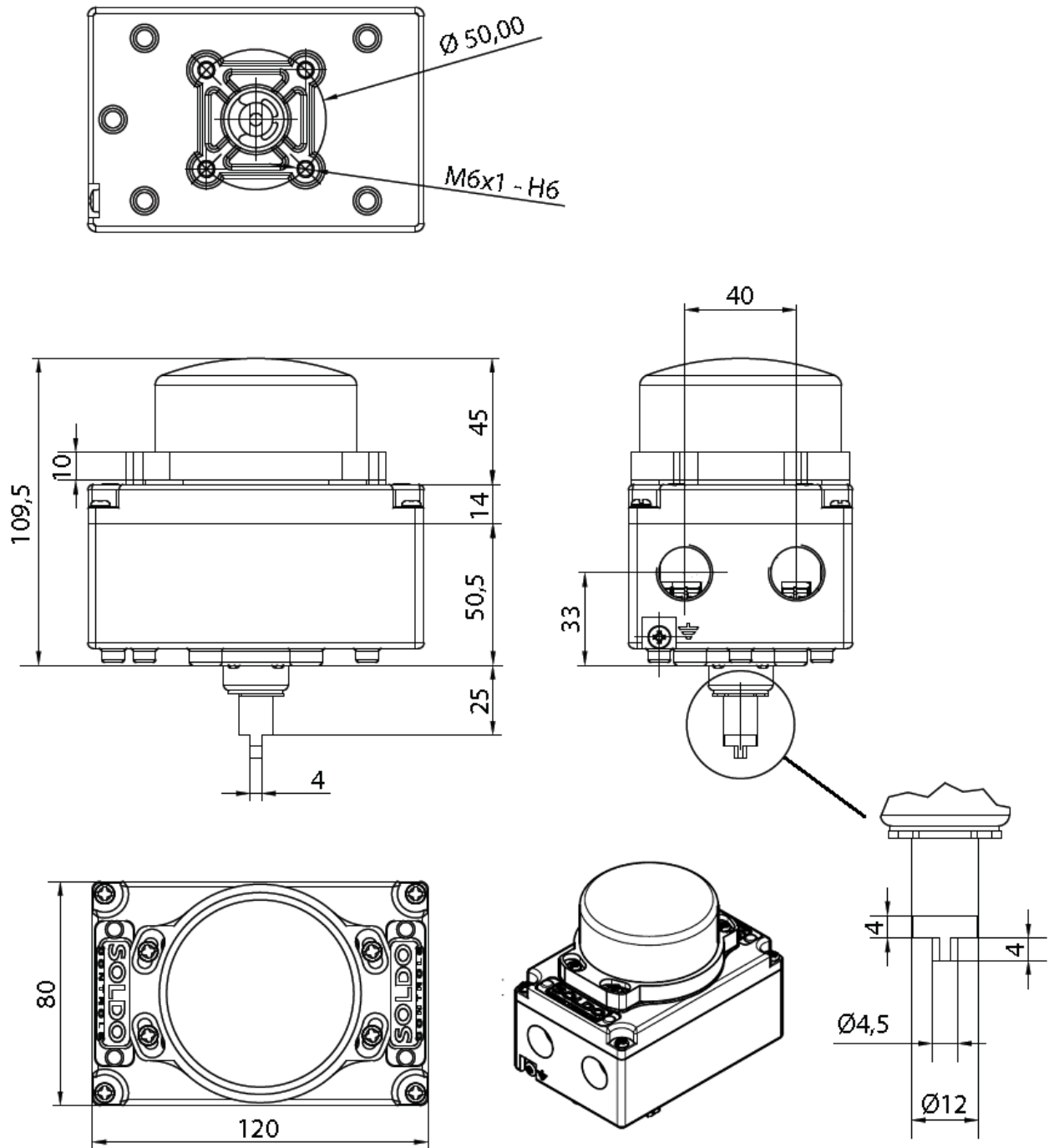
	SS : stainless steel box
	3-Channel L or T indicators
L	LT : version -40°C (according to the type of switch)
P	LT 1 : version -55°C (according to the type of switch)
1	Cable inputs 1/2" NPT
	Pilot-solenoid valve wiring
G	EAC Certificate
U	UL Certificate

Information given as an indication only, and subject to possible modifications



SF-TYPE SOLDO SWITCH BOXES

DIMENSIONS (mm)



Information given as an indication only, and subject to possible modifications