

513-514 VALVES WITH TCR ELECTRICAL ACTUATOR

FEATURES

The brass 3-way 513+TCR (L-shaped) and 514+TCR (T-shaped) ball valves provide the mixing, distribution or automatic discharge functions for pipes with non-loaded industrial fluids. It is a reduced bore valve. It is EC- and ACS-approved (French health compliance certificate). The ISO 5211 mounting pad enables the TCR actuator to be directly assembled. The latter is suitable for S4-type service factor, installed indoors or outdoors under shelter.

AVAILABLE MODELS

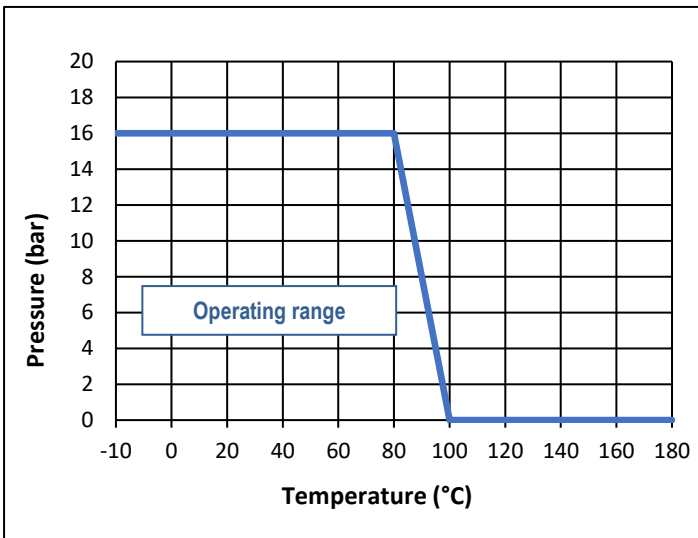
Brass body - reduced bore.
1/4" to 2" diameters.
G thread connections

Supply voltages: 24 VAC, 24 VDC and 230 VAC.



LIMITS OF USE

Fluid pressure: PS	16 bar
Fluid temperature: WT	- 10°C / +100°C
Ambient temperature	- 20°C / + 60°C
Service factor	S4 – 50%



DIRECTIVES AND MANUFACTURING STANDARDS

OBJECT	Standard	ON	OBJECT	Standard
Pressure Equipment Directive 2014/68/EC	1/4" to 1" : not subject		Motorisation connection	ISO 5211:
	1"1/4 to 2" : category II	PASCAL 1115		
Operates on drinking water	ACS	CARSO		

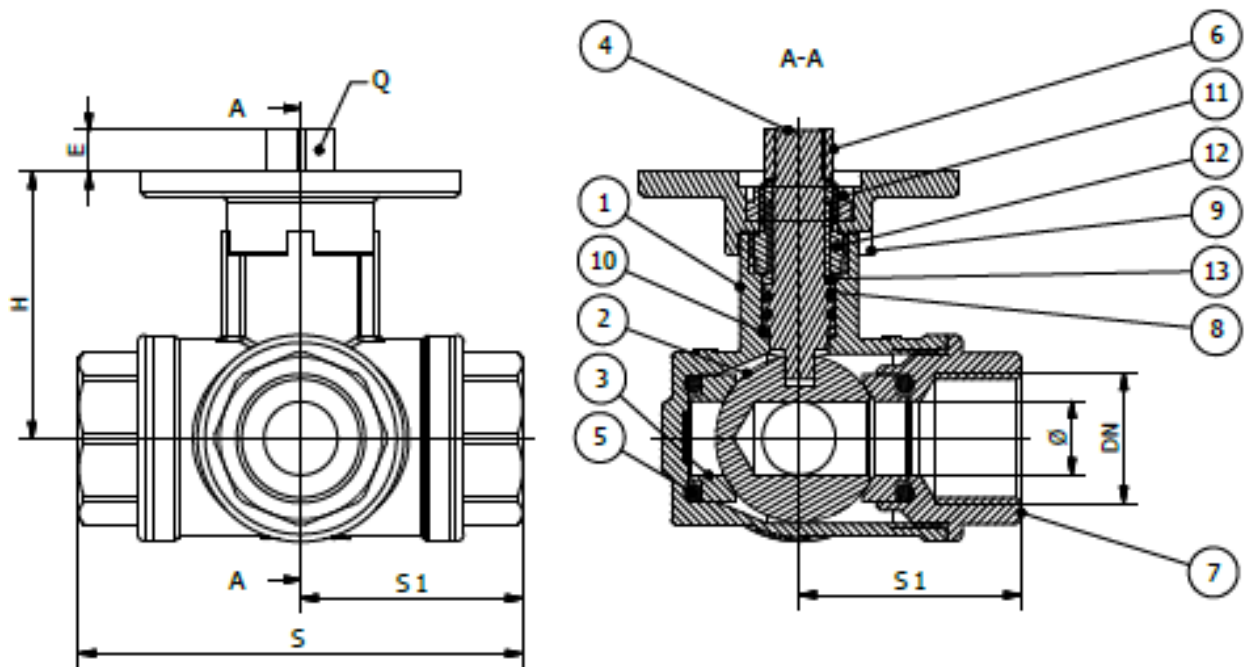
Information given as an indication only, and subject to possible modifications



513-514 VALVES WITH TCR ELECTRICAL ACTUATOR

CONSTRUCTION

No.	Name	Material	No.	Name	Material
1	Body	CW 617N brass	8	O-ring	FPM
2	Ball	CW 614N brass	9	ISO 5211 mounting pad	CW 617N brass
3	Seat	PTFE	10	Anti-friction washer	PTFE
4	Stem	CW 614N brass	11	Nut	CW 614N brass
5	O-ring	FPM	12	Nut	CW 614N brass
6	Square shank	CW 614N brass	13	Anti-friction bearing	PTFE
7	End	CW 617N brass			



DIMENSIONS (mm)

DN	1/4"	3/8"	1/2"	3/4"	1"	1"1/4	1"1/2	2"
S	76	78	82	90	106	120	142	165
S1	38	39	41	45	53	60	71	82.5
∅	10	10	10	15	20	25	32	40
P	18	18	17	18.5	20	23.5	28.5	32
H	50.5	50.5	50.5	53.5	63	67	73	80
E	8	8	8	10	10	12	12	12
Q	9	9	9	9	11	11	14	14
ISO	F03/F04	F03/F04	F03/F04	F03/F04	F04/F05	F04/F05	F05/F07	F05/F07

Information given as an indication only, and subject to possible modifications



513-514 VALVES WITH TCR ELECTRICAL ACTUATOR

TCR ELECTRICAL MOTORISATION

The TCR motorisation proposed as standard comprises:

- IP67 plastic housing for actuator and steel gear box,
- a safety coefficient of 1.3 minimum compared to the nominal torque of the valve,
- an upstream / downstream pressure difference $\Delta P=10$ bar max.

The actuator's assembly is direct.

DN	Actuator	Power		Time 230V AC	Time 24 V AC-DC	Standard equipment of the actuator
		230V AC / 24V AC/DC TCR-N	TCR-N-KT32			
1/4"	TCR-02N	15	36	10s	10s	2 adjustable limit switches 2 dry auxiliary contacts Thermal protection of the motor 2-3W anti-condensation resistance Stand-by manual control with key 3D Position visual indicator Electrical connection: TRC02: 1 x PE M10 + 1.5m cable TCR05: 1 x PE M20 + 1.5m cable
3/8"	TCR-02N	15	36	10s	10s	
1/2"	TCR-02N	15	36	10s	10s	
3/4"	TCR-02N	15	36	10s	10s	
1"	TCR-02N	15	36	10s	10s	
1" 1/4	TCR-05N	25	40	12s	12s	
1" 1/2	TCR-05N	25	40	12s	12s	
2"	TCR-05N	25	40	12s	12s	

For any other operating conditions, please contact us.

* indicative time for actuator running empty

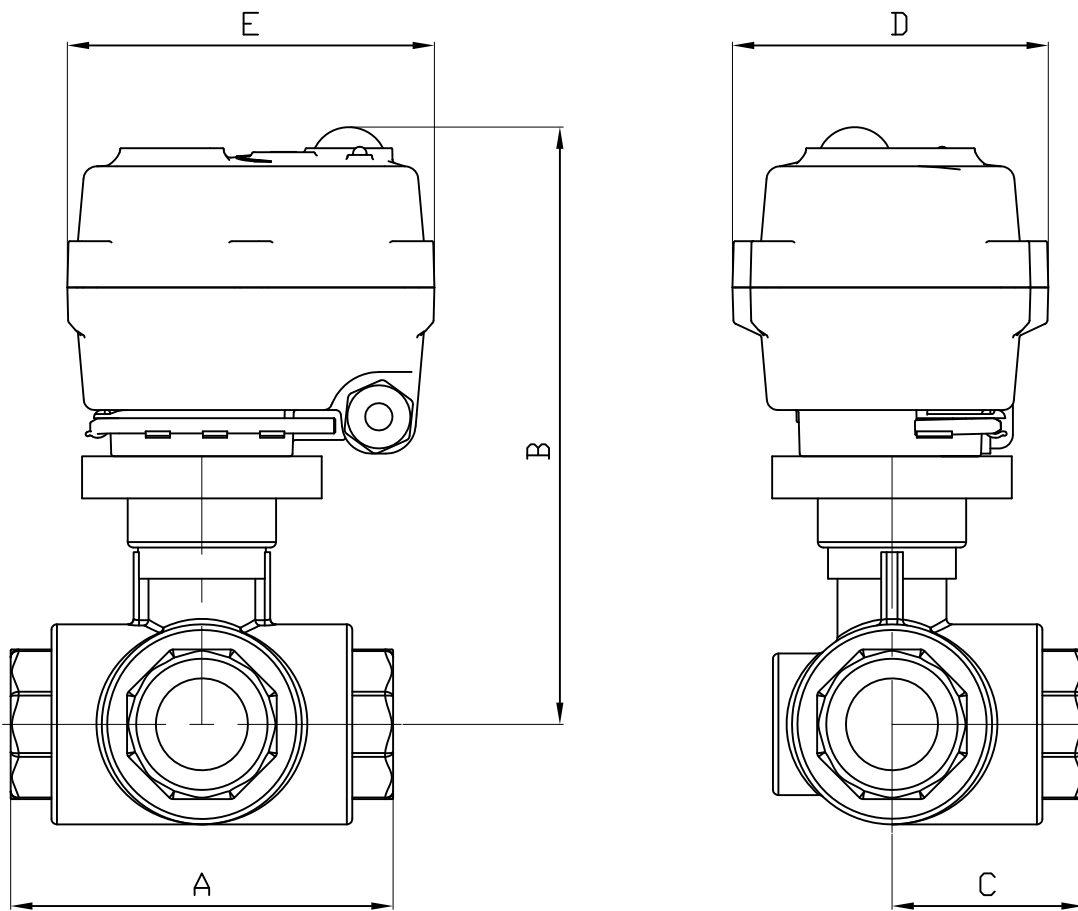
MOTORISATION OPTIONS

There are many options, so please contact our sales service for more information on these:

1	Actuator dimensioned for an upstream / downstream pressure difference ΔP greater than 10 bar
2	NF actuator – return via condenser – TCR-KT32
3	High-speed actuator - TRC-NH
4	Smart actuator with manoeuvring time adjustment - TCR-C
5	Control actuator – TCR-T
6	NF control actuator – return via condenser – TCR-T-KT32
7	Field bus actuator - TCR-B
8	Actuator with in-built timer – TCR-D
9	Wireless actuator – TCR-R

Information given as an indication only, and subject to possible modifications

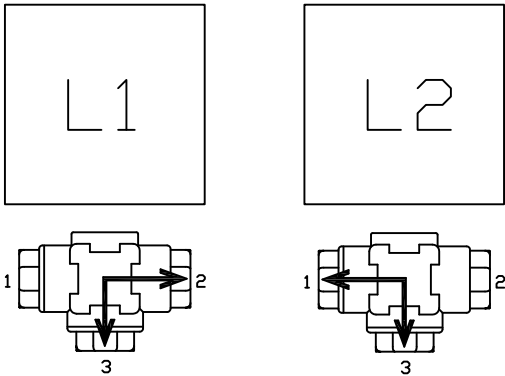




TCR-02-05

DN	1/4"	3/8"	1/2"	3/4"	1"	1 1/4"	1 1/2"	2"
SERVO	TCR02	TCR02	TCR02	TCR02	TCR02	TCR05	TCR05	TCR05
A	76	78	82	90	106	120	142	165
B	140.5	140.5	140.5	143.5	153	188	194	201
C	38	39	41	45	53	60	71	82.5
D	70	70	70	70	70	111	111	111
E	104	104	104	104	104	132	132	132
KG	1.42	1.39	1.41	1.62	2.14	3.81	5.38	7.29

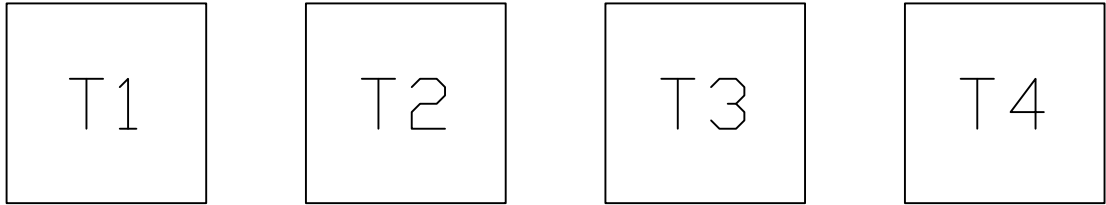
PERÇAGE EN L



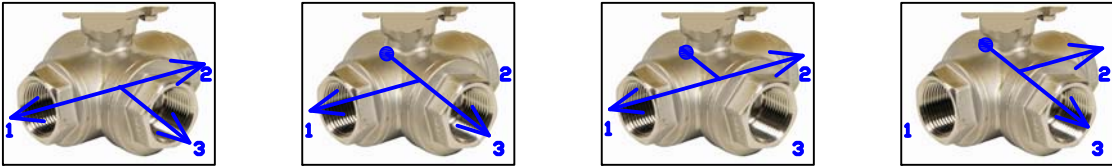
Les flèches indiquent les voies en communication

PERÇAGE EN T

Pour commander indiquer 2 positions successives



CORPS DU ROBINET



SPHERE DU ROBINET



Les flèches indiquent les voies en communication

TCR-N ELECTRICAL ACTUATOR

FEATURES

The TCR-N electric actuators are intended for motorising ¼ turn valves with a torque of 15, 20, 50, 110, 200 or 400 Nm. With a compact construction and plastic housing, they are especially well suited for motorising ball valves and butterfly valves. Several variants offer advanced functions. IP67 leak-tightness: to be used indoors and, possibly, outdoors under a shelter. Possible installation in parallel. Manual control with a key.

AVAILABLE MODELS

Supply voltages: 230V AC, 24V AC/DC, 12V DC.



LIMITS OF USE

IP Code	IP 67
Ambient temperature	- 20°C / +60°C
Service factor	S4 - 50% (TCR 02-05-11)
	S3 - 85% (TCR 20-40)

MECHANICAL FEATURES

Gear box	treated steel pinions
Torques	15 - 20 - 50 - 110 - 200 - 400 Nm
Angle of rotation	90° +/- 2°
Declutching	Without (TCR 02-05-11)
	With (TCR 20-40)
Override control	By key



Actuator	TCR 02N			TCR 05N		
	Torques (Nm)	15	20	20	50	
Voltage	12V DC	24V AC-DC	95-265V AC-DC	12VDC	24V AC-DC	95-265V AC-DC
Manoeuvring time (s)	15	10	10	12	12	12
ISO 5211:	F03/F05 - star 11			F05/F07 - star 14		

Actuator	TCR 11N			TCR 20N			TCR 40N		
	Torques (Nm)	110			200			400	
Voltage	12V DC	24V AC-DC	95-265V AC-DC	12VDC	24V AC-DC	95-265V AC-DC	12V DC	24V AC-DC	95-265V AC-DC
Manoeuvring time (s)	10	10	10	25	25	25	25	25	25
ISO 5211:	F05/F07 - star 17			F07/F10 - star 22			F07/F10 - star 22		

Information given as an indication only, and subject to possible modifications



TCR-N ELECTRICAL ACTUATOR

ELECTRICAL FEATURES

Actuator	TCR 02N	TCR 05N
Motor protection	Thermal switch	
Limit switches	2 adjustable switches	
Auxiliary switches	2 adjustable dry switches	
Anti-condensation	integrated	
Electrical connection	PE M10 + 1.5m cable	PE M20 + 1.5m cable

Actuator	TCR 02N			TCR 05N		
Voltage	12V DC	24V AC-DC	95-265V AC-DC	12V DC	24V AC-DC	95-265V AC-DC
Power (W)	15	15	15	25	25	25
Current (A)	1,5	1,5	0,09	1,67		0,18 - 0,37
Fuse Protection (A)	5	5	1	8		1 - 2

Actuator	TCR 11N	TCR 20N	TCR 40N
Motor protection	Thermal switch		
Limit switches	2 adjustable switches		
Auxiliary switches	2 adjustable dry switches		
Anti-condensation	Integrated		
Electrical connection	2 x PE M14 + 1,5m cable	2 x PE M20 + 1.5m cable	2 x PE M20 + 1,5m cable

Actuator	TCR 11N			TCR 20N			TCR 40N		
Voltage	12V DC	24V AC-DC	95-265V AC-DC	12V DC	24V AC-DC	95-265V AC-DC	12V DC	24V AC-DC	95-265V AC-DC
Power (W)	100	100	100	50	50	50	80	80	80
Current (A)	2,5		0,3 - 0,6	2		0,22	3,3		0,36
Fuse Protection (A)	5		2 - 3	3		5	8		2

Information given as an indication only, and subject to possible modifications

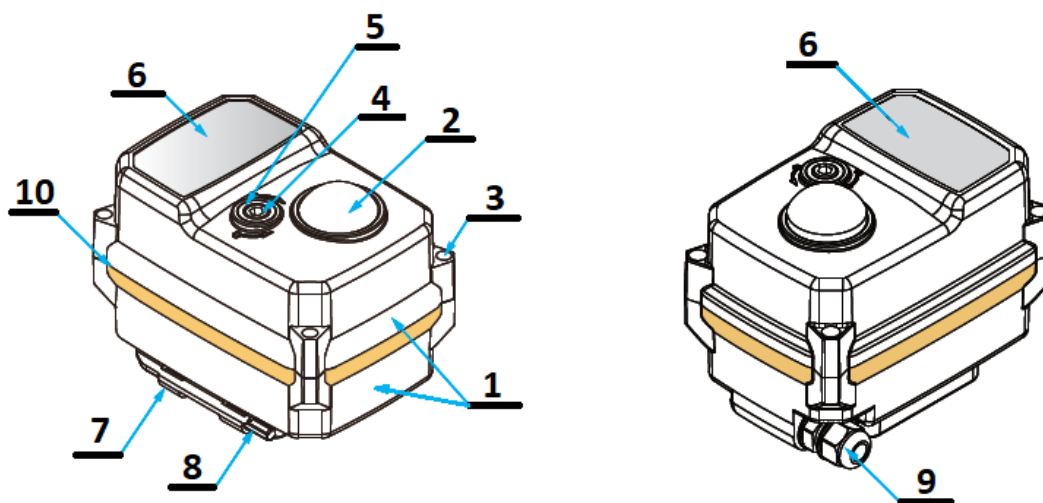


TCR-N ELECTRICAL ACTUATOR

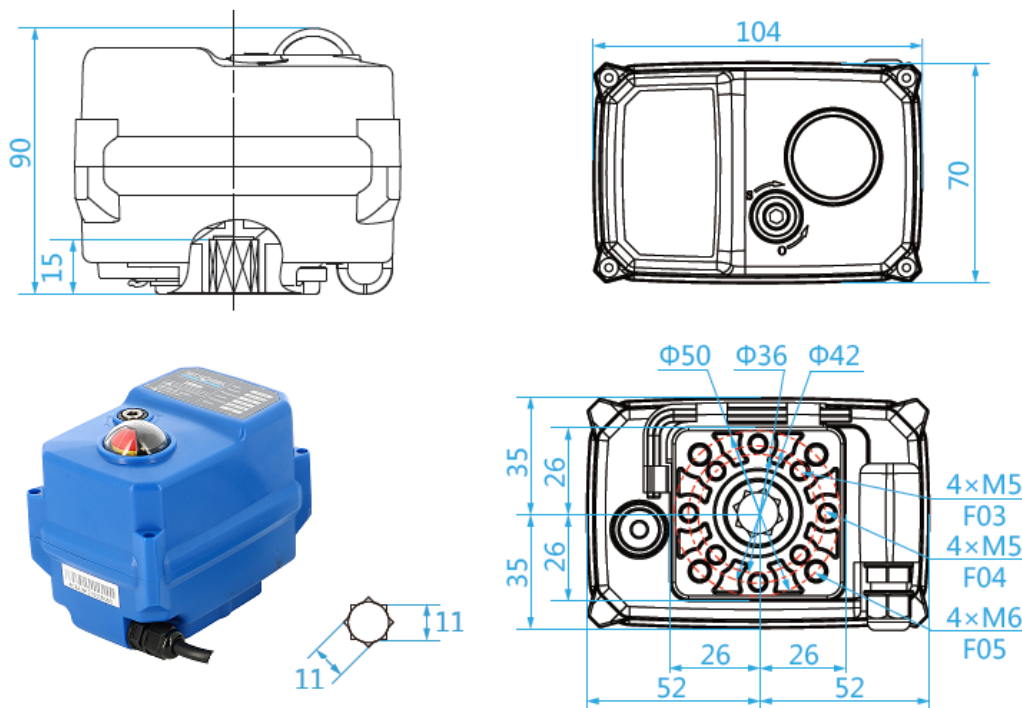
CONSTRUCTION (TCR-02N)

TCR-02N					
No.	Name	Material	No.	Name	Material
1	Casing + lid	Plastic (ABS)	6	Rating plate	PVC
2	Position indicator	Polycarbonate plastic	7	Key support	Plastic (ABS)
3	Screw x 4	Aisi 304	8	Hex key	Steel
4	Backup control stem	Aisi 304	9	Packing gland	Nylon
5	Gasket	NBR	10	Cover gasket	NBR

Weight (kg): 0.620



DIMENSIONS (mm)



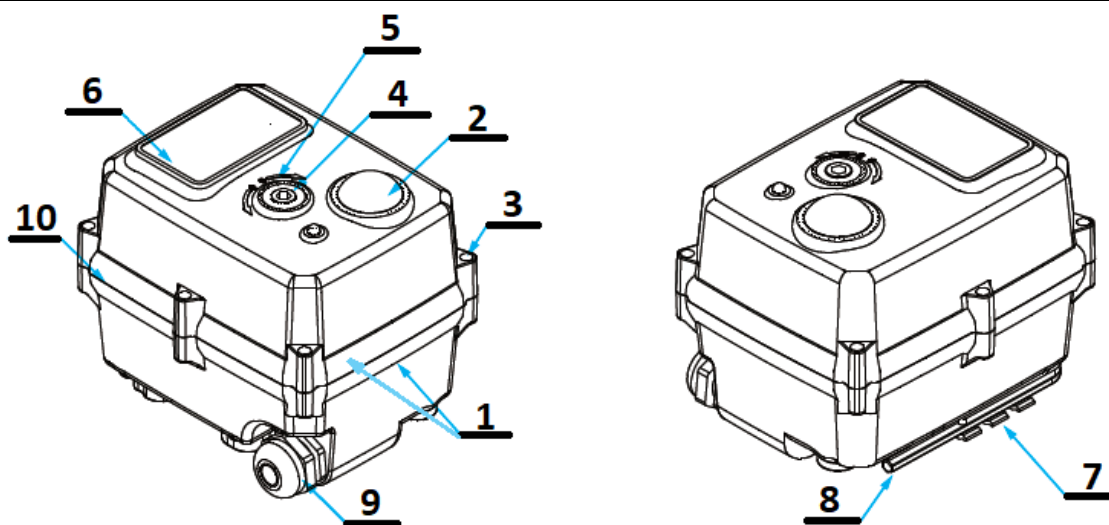
Information given as an indication only, and subject to possible modifications

TCR-N ELECTRICAL ACTUATOR

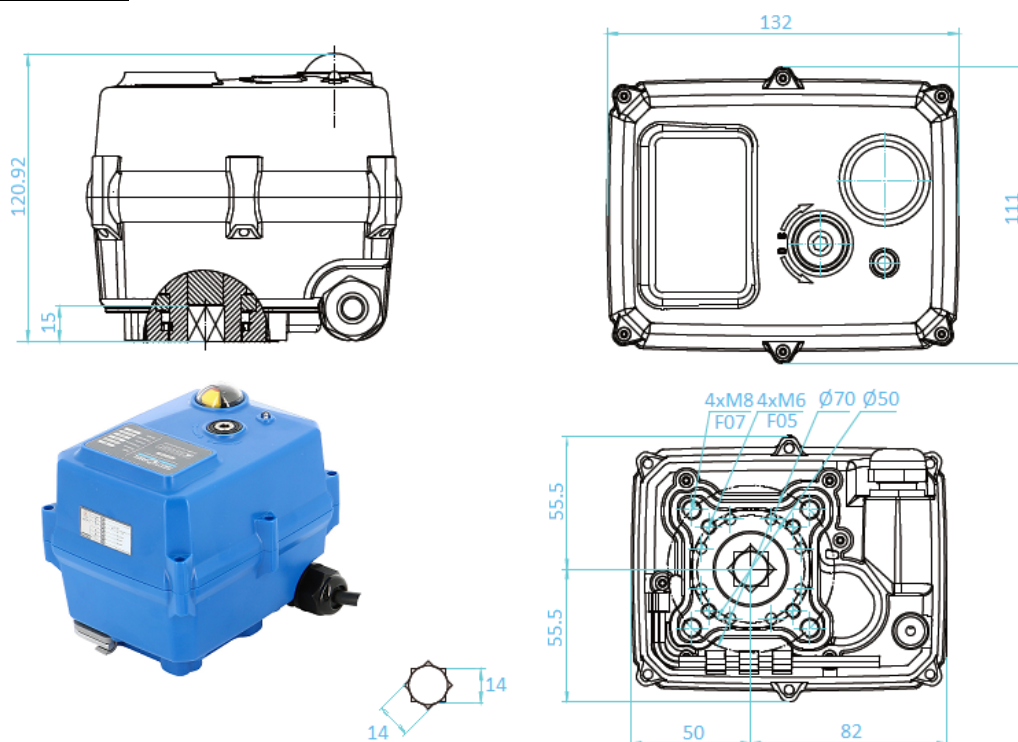
CONSTRUCTION (TCR-05N)

TCR-05N					
No.	Name	Material	No.	Name	Material
1	Casing + lid	Plastic (ABS)	6	Rating plate	PVC
2	Position indicator	Polycarbonate plastic	7	Key support	Plastic (ABS)
3	Screw x 6	Aisi 304	8	Hex key	Steel
4	Backup control stem	Aisi 304	9	Packing gland	Nylon
5	Gasket	NBR	10	Cover gasket	NBR

Weight (kg): 1.800



DIMENSIONS (mm)

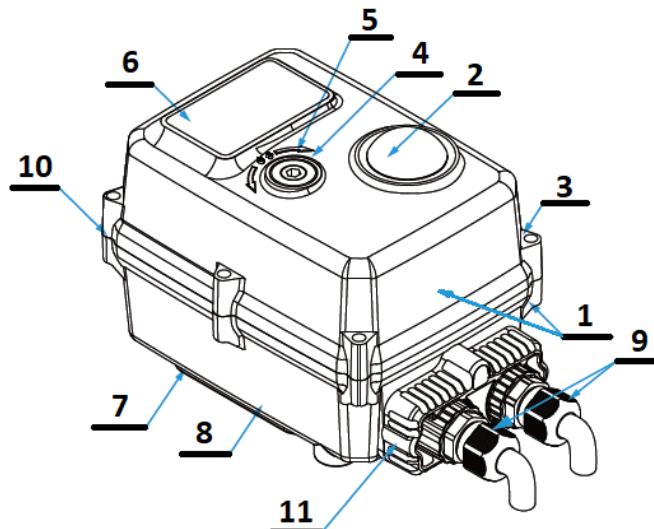


Information given as an indication only, and subject to possible modifications

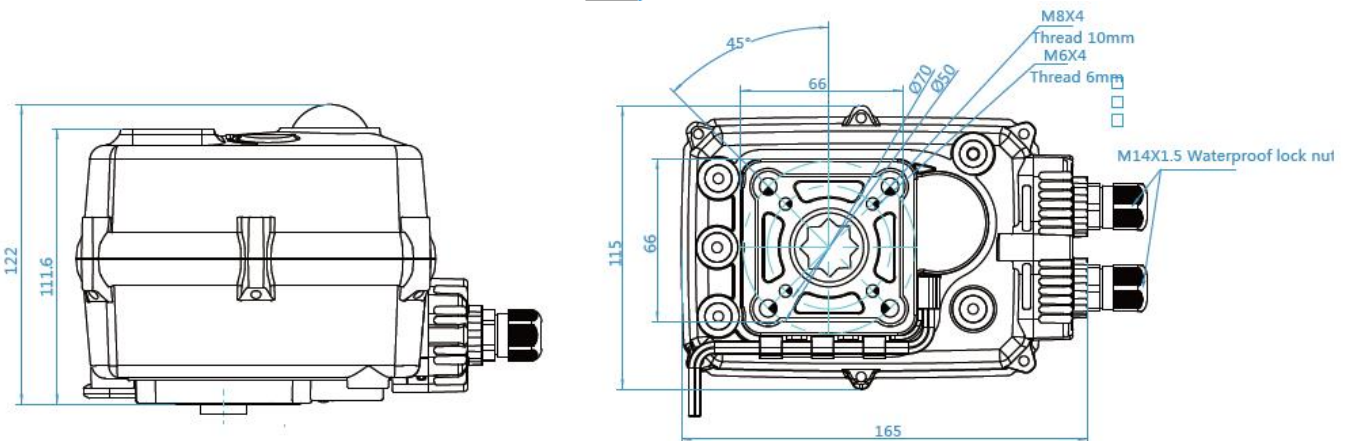
TCR-N ELECTRICAL ACTUATOR

CONSTRUCTION (TCR-11N)

TCR-11N					
No.	Name	Material	No.	Name	Material
1	Casing + lid	Plastic (ABS)	6	Rating plate	PVC
2	Position indicator	Polycarbonate plastic	7	Key support	Plastic (ABS)
3	Screw x 6	Aisi 304	8	Hex key	Steel
4	Backup control stem	Aisi 304	9	X 2Packing gland	Nylon
5	Gasket	NBR	10	Cover gasket	NBR
Weight (kg): 2.200			11	Cable gland unit	Plastic (ABS)



DIMENSIONS (mm)

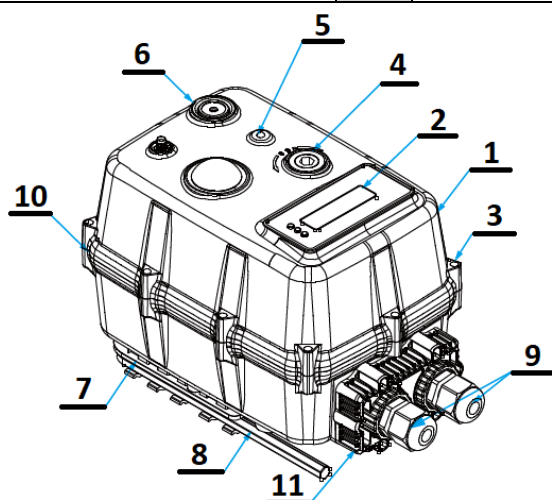


Information given as an indication only, and subject to possible modifications

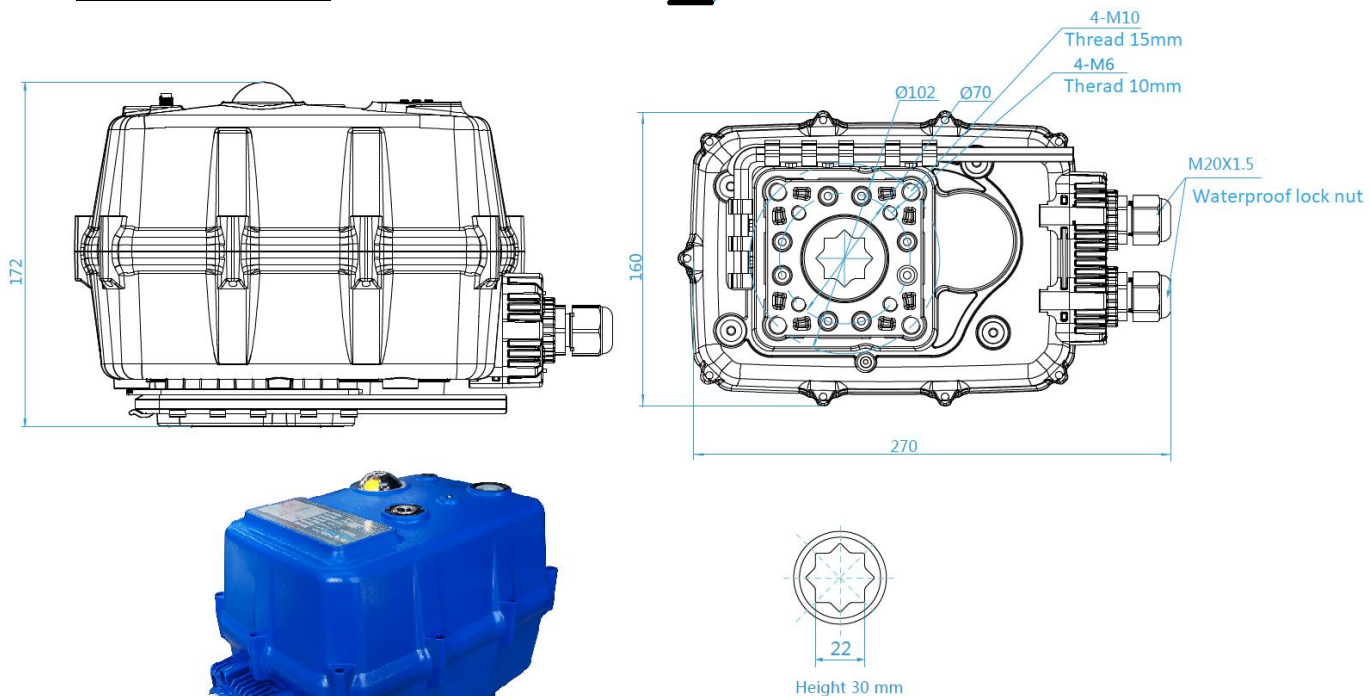
TCR-N ELECTRICAL ACTUATOR

CONSTRUCTION (TCR-20N / TCR-40N)

TCR-20N / TCR-40N					
No.	Name	Material	No.	Name	Material
1	Casing + lid	PC + PET	6	Clutch	Polyoxymethylene POM
2	Position indicator	Polycarbonate plastic	7	Key support	Plastic ABS
3	Screw x 6	Aisi 304	8	Hex key	Steel
4	Backup control stem	Aisi 304	9	X 2Packing gland	Nylon
5	LED	Transparent PC	10	Cover gasket	NBR
Weight (Kg) : 6,000			11	Cable gland unit	Plastic ABS



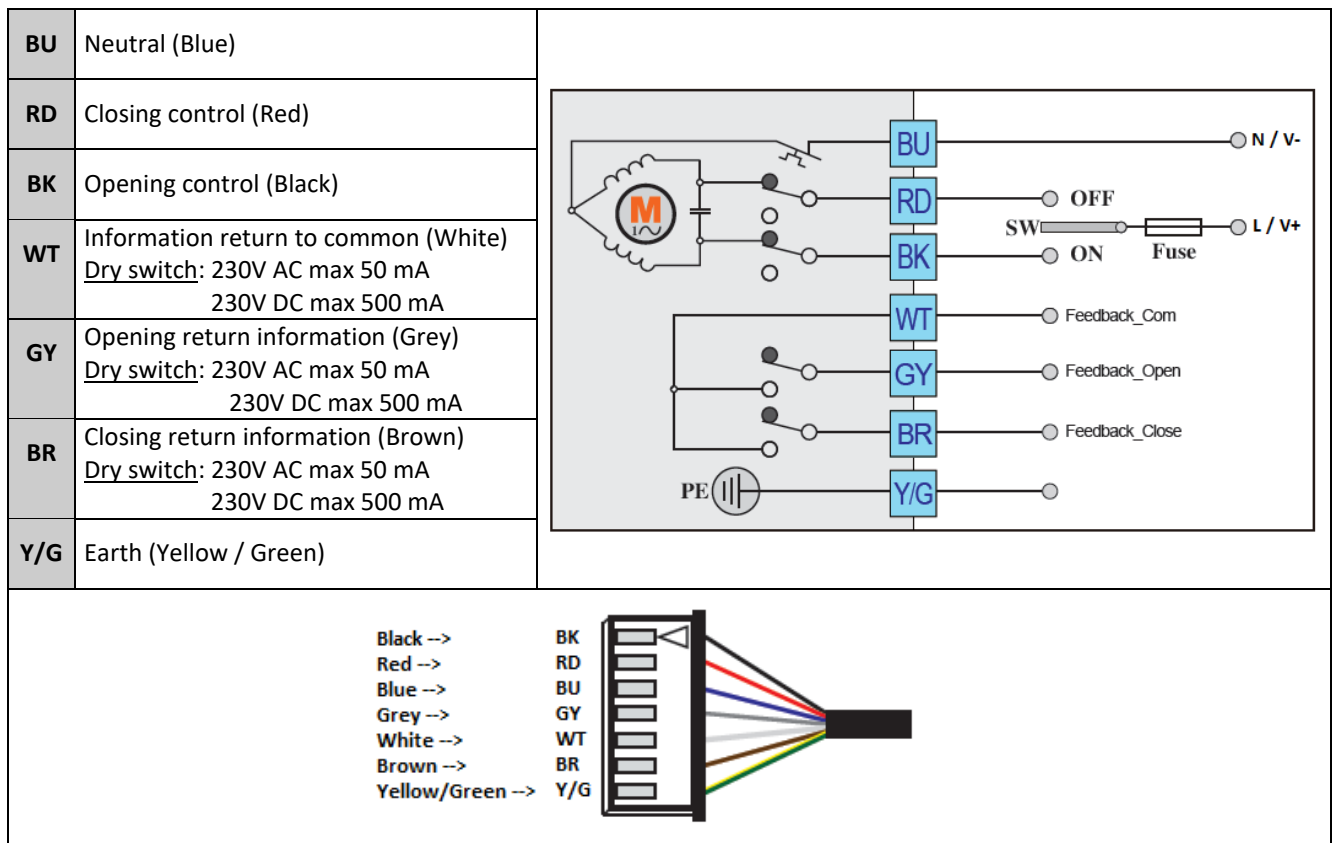
DIMENSIONS (mm)



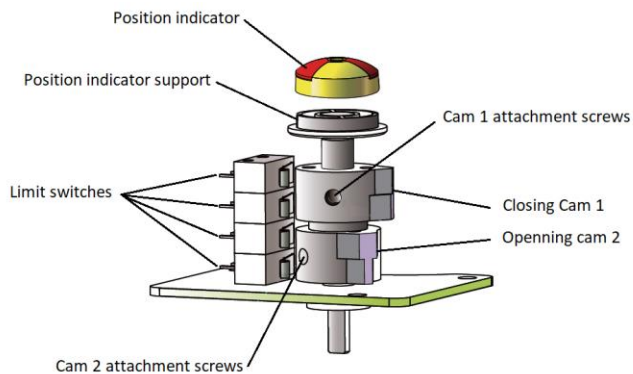
Information given as an indication only, and subject to possible modifications

TCR-N ELECTRICAL ACTUATOR

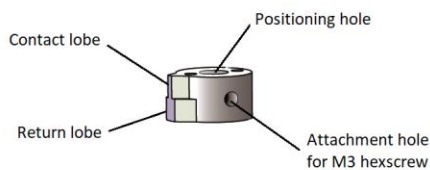
WIRING DIAGRAM



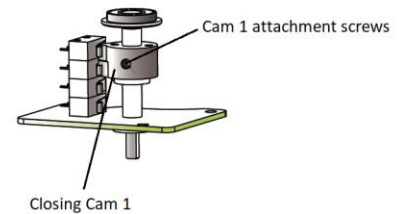
SWITCH SETTING



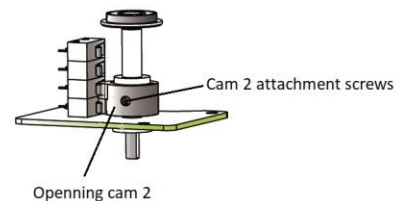
GENERAL VIEW



CAM DETAIL



CLOSING CAM ADJUSTMENT



OPENING CAM ADJUSTMENT

Information given as an indication only, and subject to possible modifications

TCR-N ELECTRICAL ACTUATOR

TROUBLESHOOTING

Defect met	Cause of defect	Method of solving
Inactive actuator	Non-connected electrical grid.	Connect to the electrical grid.
	Wrong voltage.	Check the actuator's voltage.
	Motor overheating.	Check the torque on the valve.
	Faulty connection.	Check the connection to the terminal box.
	Damaged start capacitor.	Contact the supplier for repair.
No switch signal	Faulty connection.	Check the connections.
	Damaged microswitch	Change the microswitch
Valve that is not fully closed	Use the return signal from the actuator check.	Receiving a return signal does not mean that the actuator is fully closed, hence do not cut the power supply.
	The hysteresis increases due to wear or between the actuator and the valve's stem.	Readjust the limit cams. Contact the supplier for repair.
Presence of humidity or water in the actuator	Unsuitable cable cross-section being used.	Contact the supplier for repair.
	The cable connection is not leak-tight.	
	Worn sealing gaskets.	
	Loose cover screws.	Dry the internal parts and tighten the cover screws.

Information given as an indication only, and subject to possible modifications



TCR-N-KT CAPACITOR RETURN ELECTRICAL ACTUATOR

FEATURES

The TCR-N-KT electric actuators are intended for motorising ¼ turn valves with a torque of 15, 50, 90 or 200 Nm. **Capacitor return function:** the closing manoeuvre is provided by a capacitor. With a compact construction and plastic housing, they are especially well suited for motorising small size ball valves. IP67 leak-tightness: to be used indoors and, possibly, outdoors under a shelter. Possible installation in parallel. Manual control with a key.

AVAILABLE MODELS

Supply voltages: 230V AC, 24V AC/DC.

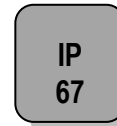
LIMITS OF USE

IP Code	IP 67
Ambient temperature	- 20°C / +60°C
Service factor	S4 - 50% (TCR 02N-05N-11N)
	S3 - 85% (TCR 20N)



MECHANICAL FEATURES

Gear box	treated steel pinions
Torques	15 - 45 - 95 - 110 Nm
Angle of rotation	90° +/- 2°
Declutching	Without (TCR 02N-05N-11N)
	With (TCR 20N)
Override control	By key



Actuator	TCR 02N-KT32		TCR 05N-KT32		TCR 11N-KT32	
Torques (Nm)	15		50		90	
Voltage	24V AC - DC	95-265V AC-DC	24V AC - DC	95-265V AC-DC	24V AC - DC	95-265V AC-DC
Manoeuvring time (s)	10	10	12	12	10	10
ISO 5211:	F03/F05 - star 11		F05/F07 - star 14		F05/F07 - star 17	

Actuator	TCR 20N-KT32	
Torques (Nm)	200	
Voltage	24V AC - DC	95-265V AC-DC
Manoeuvring time (s)	25	25
ISO 5211:	F07/F10 - étoile de 22	

Information given as an indication only, and subject to possible modifications

TCR-N-KT CAPACITOR RETURN ELECTRICAL ACTUATOR

ELECTRICAL FEATURES

Actuator	TCR 02N-KT32	TCR 05N-KT32	TCR 11N-KT32
Motor protection	Thermal switch		
Limit switches	2 adjustable switches		
Auxiliary switches	2 adjustable dry switches		
Anti-condensation	integrated		
Electrical connection	PE M10 + 1.5m cable	PE M20 + 1.5m cable	2 x PE M14 + 1.5m cable

Actuator	TCR 02N-KT32		TCR 05N-KT32		TCR 11N-KT32	
Voltage	24V AC - DC	95-265V AC-DC	24V AC - DC	95-265V AC-DC	24V AC - DC	95-265V AC-DC
Power (W)	36	36	40	40	100	100
Current (A)	1,5	0,09	1,8	1,6	2,5	0,26 - 0,52
Fuse protection (A)	5	1	10	2	5	2

Actuator	TCR 20N-KT32
Motor protection	Thermal switch
Limit switches	2 adjustable switches
Auxiliary switches	2 adjustable dry switches
Anti-condensation	integrated
Electrical connection	PE M20 + 1.5 m cable

Actuator	TCR 20N-KT32	
Voltage	24V AC - DC	95-265V AC - DC
Power (W)	50	50
Current (A)	2	0.22
Fuse protection (A)	2	5

Information given as an indication only, and subject to possible modifications

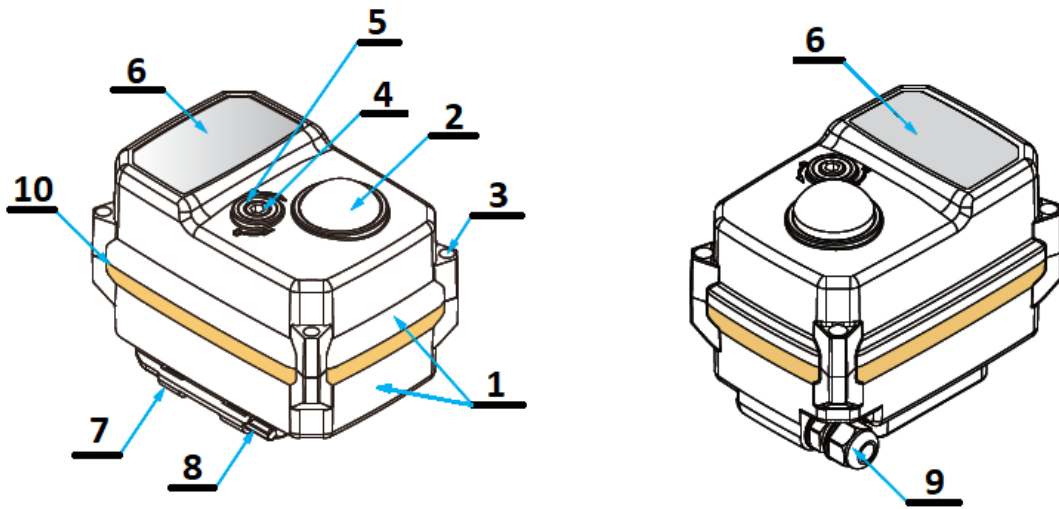


TCR-N-KT CAPACITOR RETURN ELECTRICAL ACTUATOR

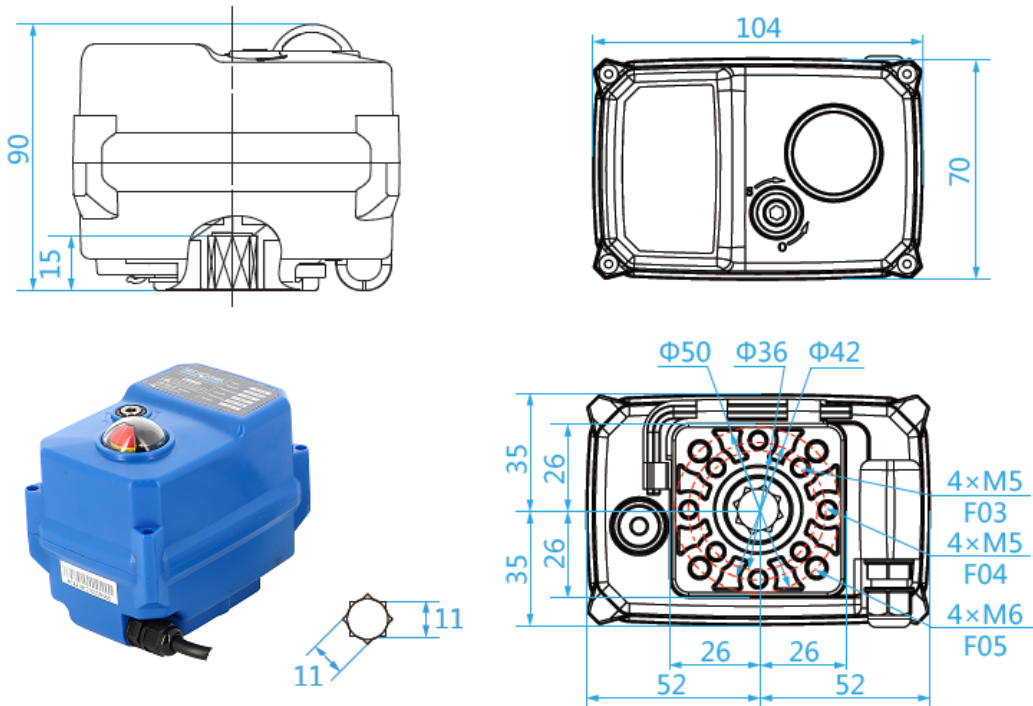
CONSTRUCTION (TCR-02N-KT32)

TCR-02N-KT32					
No.	Name	Material	No.	Name	Material
1	Casing + lid	Plastic (ABS)	6	Rating plate	PVC
2	Position indicator	Polycarbonate plastic	7	Key support	Plastic (ABS)
3	Screw x 4	Aisi 304	8	Hex key	Steel
4	Backup control stem	Aisi 304	9	Packing gland	Nylon
5	Gasket	NBR	10	Cover gasket	NBR

Weight (kg): 0.620



DIMENSIONS (mm)



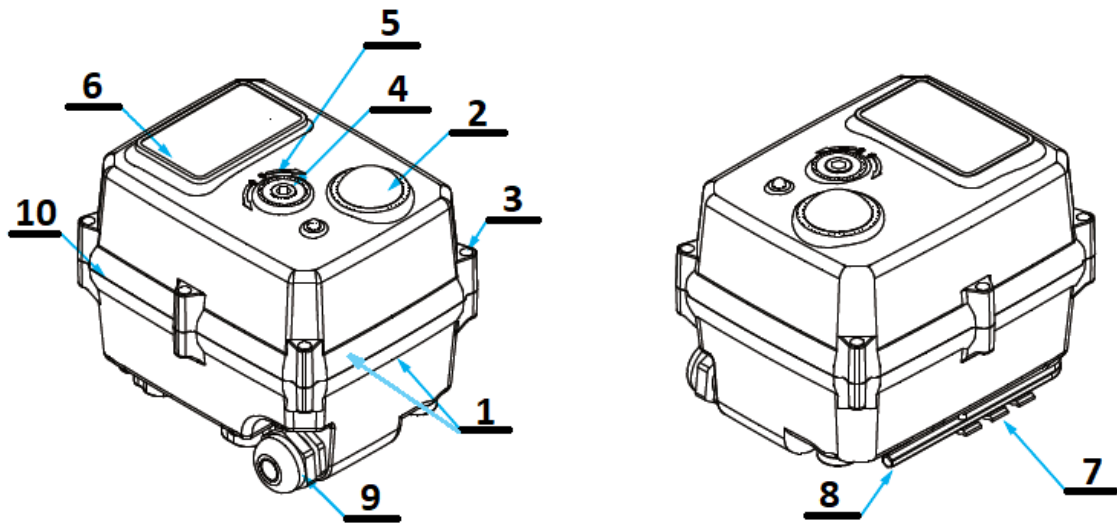
Information given as an indication only, and subject to possible modifications

TCR-N-KT CAPACITOR RETURN ELECTRICAL ACTUATOR

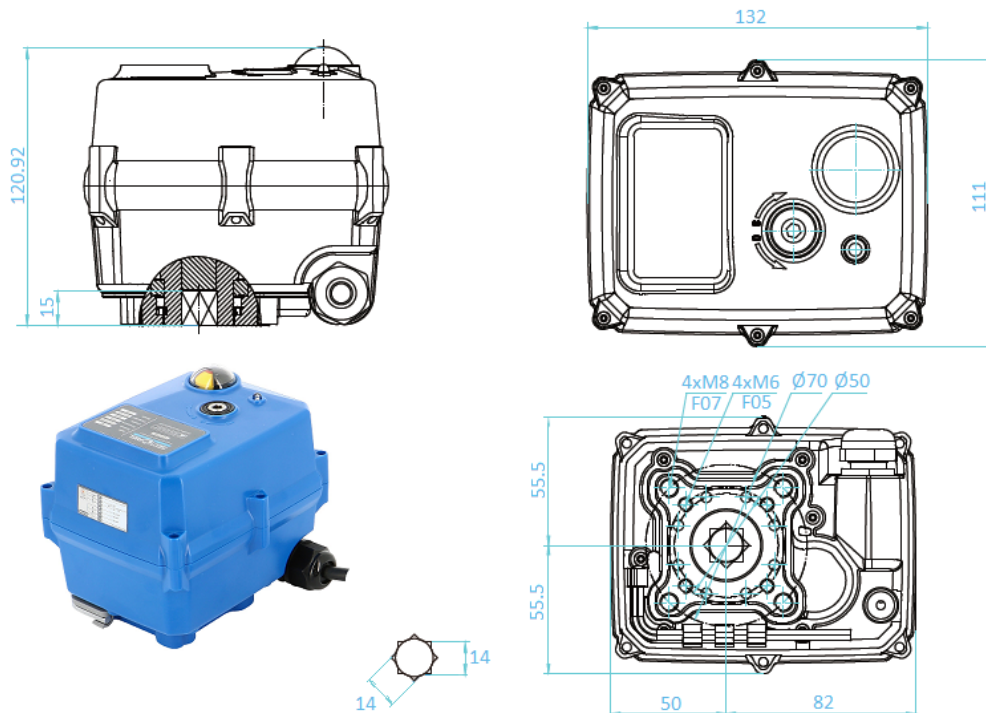
CONSTRUCTION (TCR-05N-KT32)

TCR-05N-KT32					
No.	Name	Material	No.	Name	Material
1	Casing + lid	Plastic (ABS)	6	Rating plate	PVC
2	Position indicator	Polycarbonate plastic	7	Key support	Plastic (ABS)
3	Screw x 6	Aisi 304	8	Hex key	Steel
4	Backup control stem	Aisi 304	9	Packing gland	Nylon
5	Gasket	NBR	10	Cover gasket	NBR

Weight (kg): 1.800



DIMENSIONS (mm)

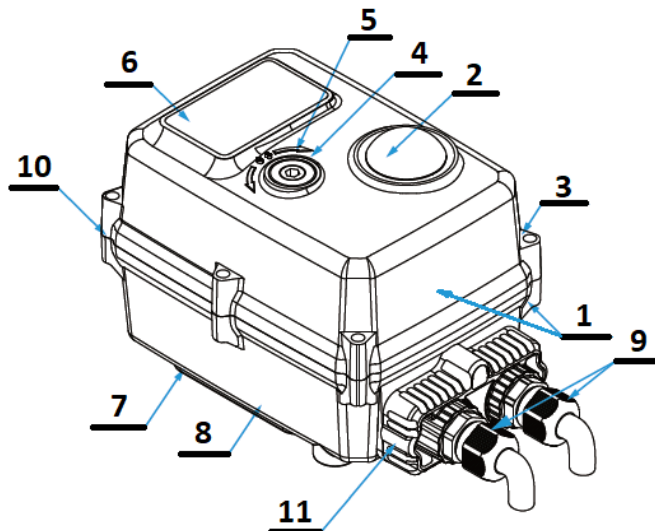


Information given as an indication only, and subject to possible modifications

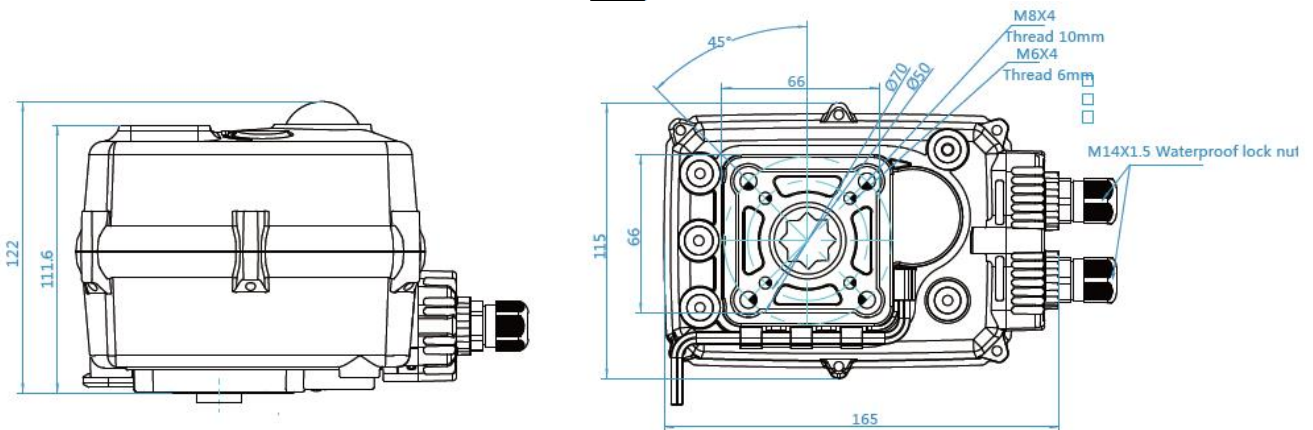
TCR-N-KT CAPACITOR RETURN ELECTRICAL ACTUATOR

CONSTRUCTION (TCR-11N-KT32)

TCR-11N-KT32					
No.	Name	Material	No.	Name	Material
1	Casing + lid	Plastic (ABS)	6	Rating plate	PVC
2	Position indicator	Polycarbonate plastic	7	Key support	Plastic (ABS)
3	Screw x 6	Aisi 304	8	Hex key	Steel
4	Backup control stem	Aisi 304	9	X 2Packing gland	Nylon
5	Gasket	NBR	10	Cover gasket	NBR
Weight (kg): 2.200			11	Cable gland unit	Plastic (ABS)



DIMENSIONS (mm)

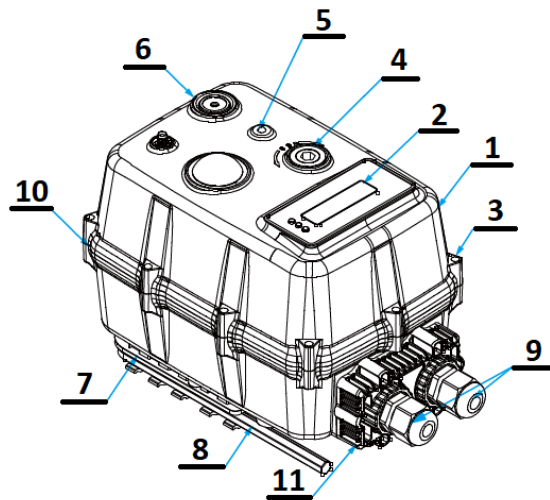


Information given as an indication only, and subject to possible modifications

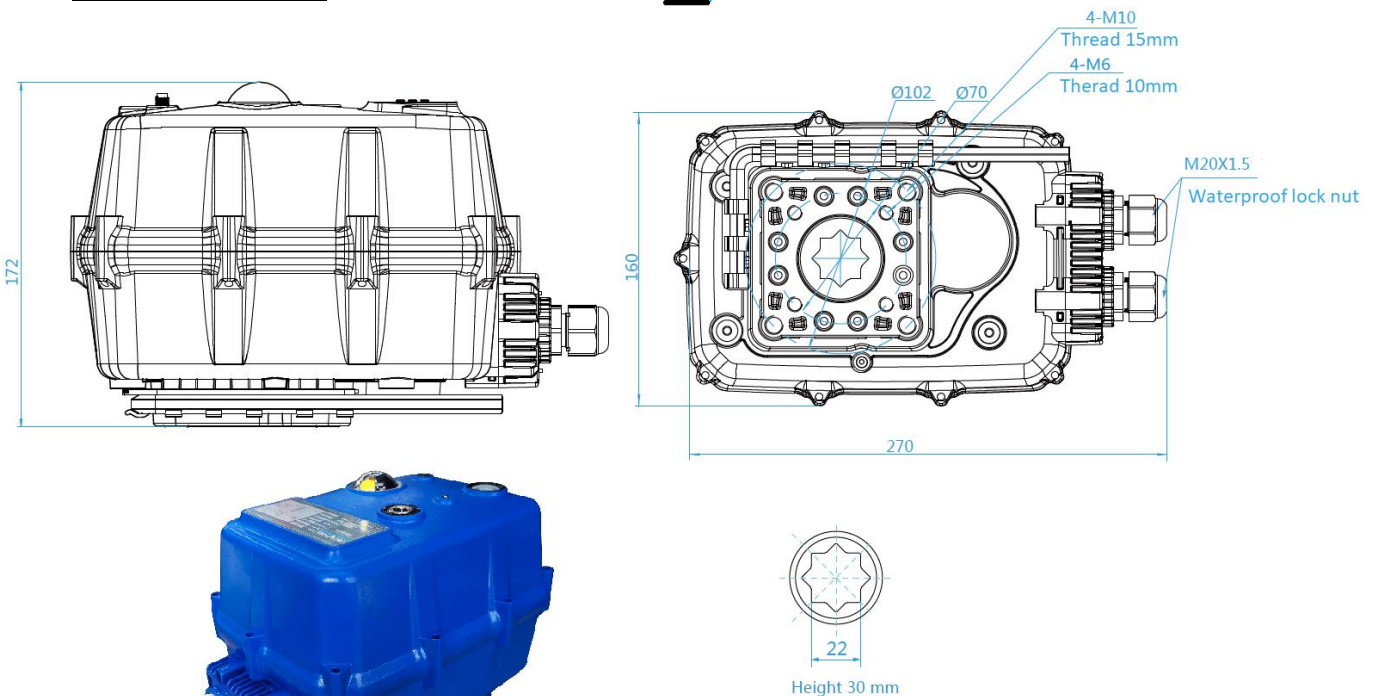
TCR-N-KT CAPACITOR RETURN ELECTRICAL ACTUATOR

CONSTRUCTION (TCR-20N-KT32)

TCR-20N-KT32					
N°	Désignation	Matière	N°	Désignation	Matière
1	Casing + lid	PC + PET	6	Clutch	Polyoxymethylene POM
2	Position indicator	Polycarbonate plastic	7	Key support	Plastic (ABS)
3	Screw x 6	Aisi 304	8	Hex key	Steel
4	Backup control stem	Aisi 304	9	X 2Packing gland	Nylon
5	LED	Plastic PC	10	Cover gasket	NBR
Poids (Kg) : 6,000			11	Cable gland unit	Plastic (ABS)



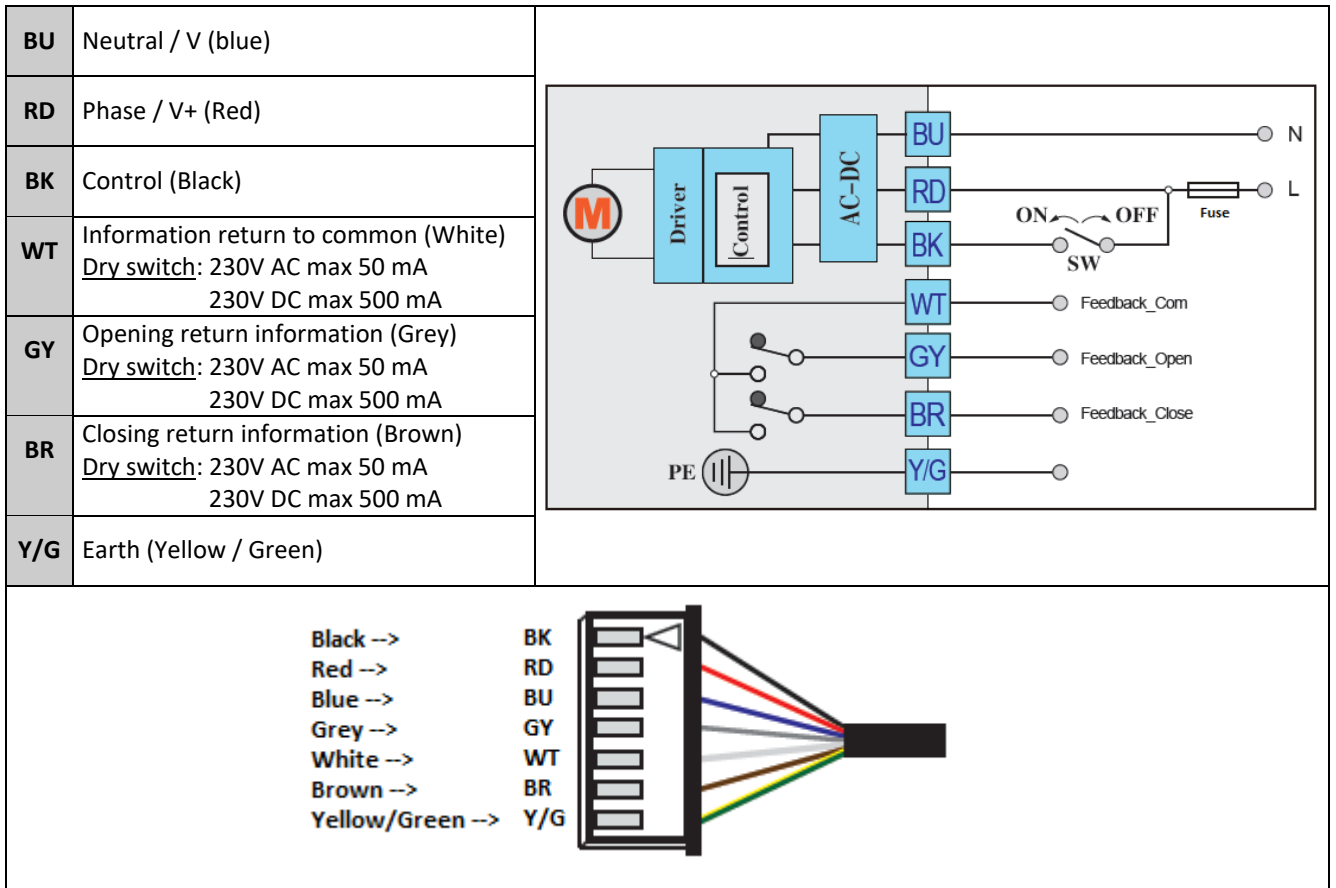
DIMENSIONS (mm)



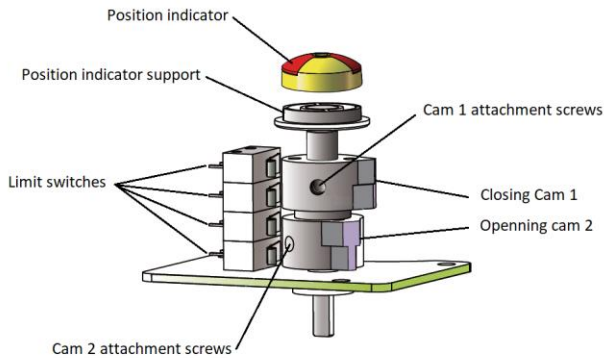
Information given as an indication only, and subject to possible modifications

TCR-N-KT CAPACITOR RETURN ELECTRICAL ACTUATOR

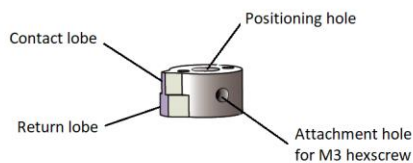
WIRING DIAGRAM



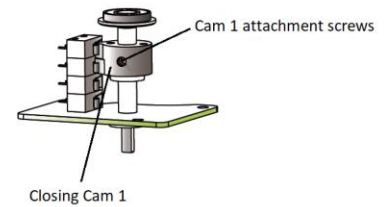
SWITCH SETTING



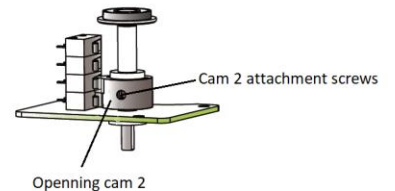
GENERAL VIEW



CAM DETAIL



CLOSING CAM ADJUSTMENT



OPENING CAM ADJUSTMENT

Information given as an indication only, and subject to possible modifications

TCR-N-KT CAPACITOR RETURN ELECTRICAL ACTUATOR

TROUBLESHOOTING

Defect met	Cause of defect	Method of solving
Inactive actuator	Non-connected electrical grid.	Connect to the electrical grid.
	Wrong voltage.	Check the actuator's voltage.
	Motor overheating.	Check the torque on the valve.
	Faulty connection.	Check the connection to the terminal box.
	Damaged start capacitor.	Contact the supplier for repair.
No switch signal	Faulty connection.	Check the connections.
	Damaged microswitch	Change the microswitch
Valve that is not fully closed	Use the return signal from the actuator check.	Receiving a return signal does not mean that the actuator is fully closed, hence do not cut the power supply.
	The hysteresis increases due to wear or between the actuator and the valve's stem.	Readjust the limit cams. Contact the supplier for repair.
Presence of humidity or water in the actuator	Unsuitable cable cross-section being used.	Contact the supplier for repair.
	The cable connection is not leak-tight.	
	Worn sealing gaskets.	
	Loose cover screws.	Dry the internal parts and tighten the cover screws.

Information given as an indication only, and subject to possible modifications

