

DUCTILE IRON BALL VALVE PN 16 LENGTH DIN 3202-1 F4/F5

Ductile iron ball valve full bore for heating, cooling, water, watering, irrigation and gas of 2nd group.
2 EPDM O Ring on stem up to DN100 and PTFE packing over, PTFE seat.
Ductile iron body for a better mechanical resistance.



Size : DN15 to DN200
Connection : Flanges PN10/16 RF
Min Temperature : -10°C
Max Temperature : +120°C
Max Pressure : 16 Bars
Specifications : Full bore
Stainless steel ball
Anti blow-out stem
PTFE seat
Materials : Ductile iron EN GJS-400-15

DUCTILE IRON BALL VALVE PN 16 LENGTH DIN 3202-1 F4/F5

SPECIFICATIONS :

- Full bore
- Anti blow-out stem
- With 2 O rings EPDM on stem up to DN100, PTFE packing over
- PN10/16 Flanges R.F. up to DN150 and PN16 for DN200
- stainless steel ball
- Grey painting colour RAL 7040 20-40 microns thickness

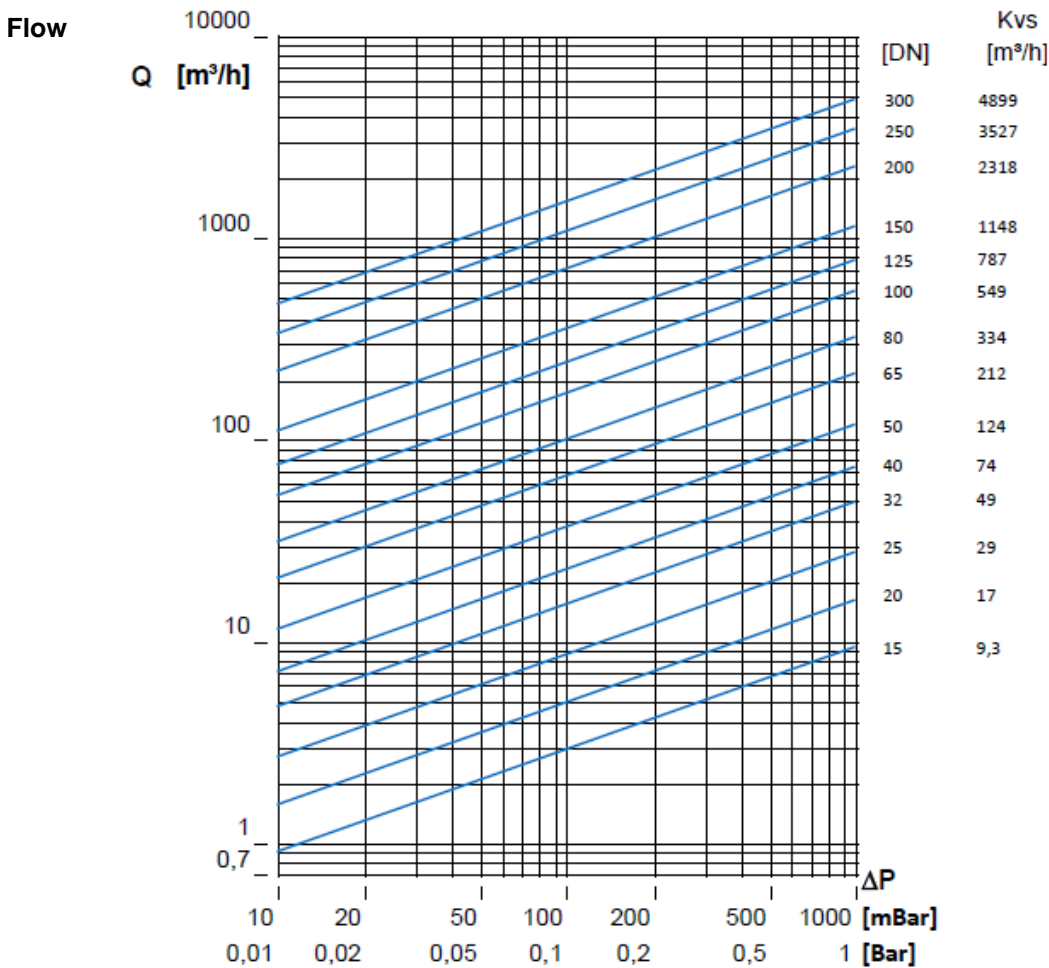
USE :

- Heating, water, cooling, watering, irrigation and gas of 2nd group
- Min and max Temperature Ts : - 10°C to + 120°C
- Max Pressure Ps : 16 bars
- **Do not use with steam**
- **Do not use with compressed air**

RANGE :

- Ductile iron flanges R.F. with stainless steel ball PN10/16 from DN15 to DN150 and PN16 for DN200 **Ref. 507D** from DN15 to DN200

HEAD LOSS GRAPH :



DUCTILE IRON BALL VALVE PN 16 LENGTH DIN 3202-1 F4/F5

FLOW COEFFICIENT Kvs (in M3/H) :

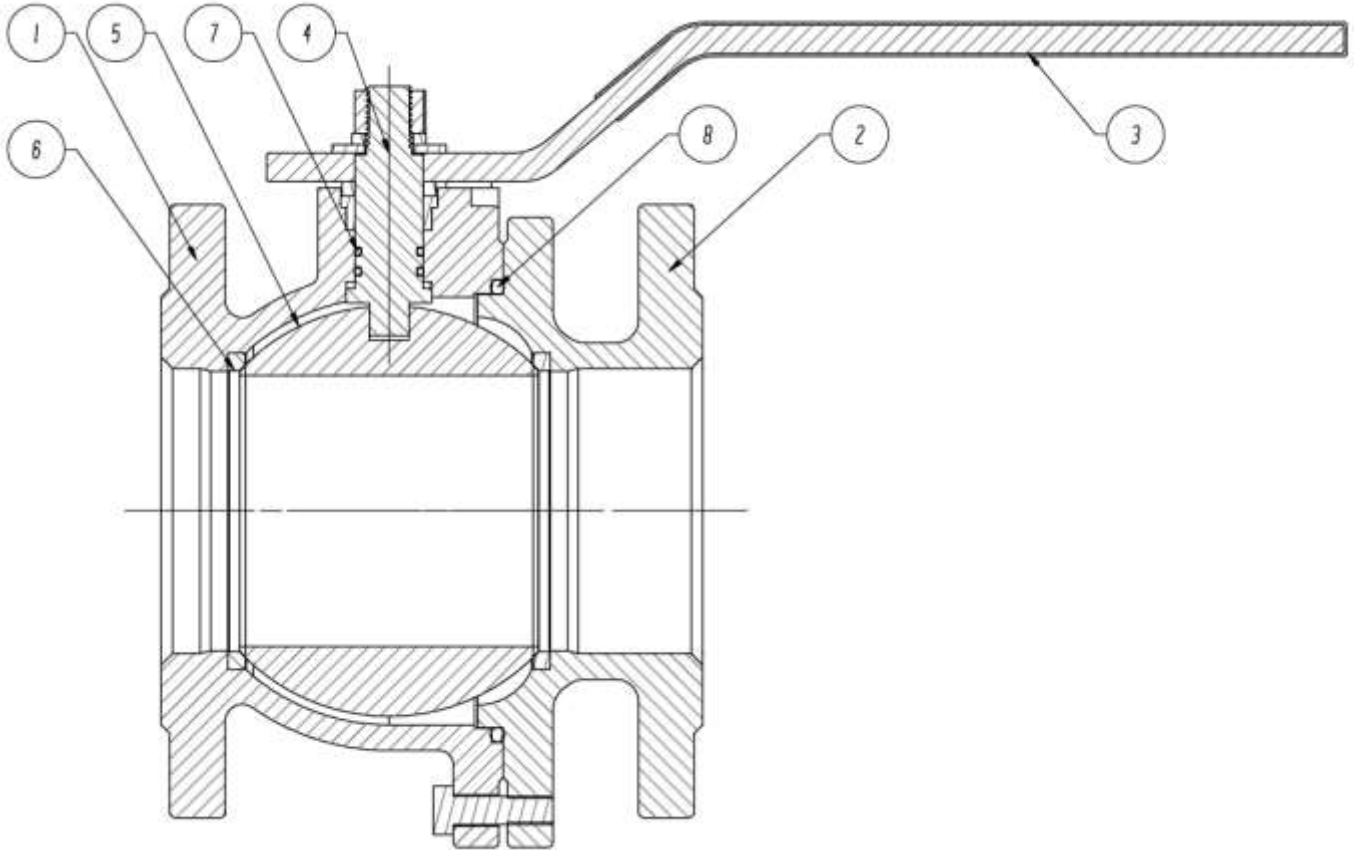
DN	15	20	25	32	40	50	65	80	100	125	150	200
Kvs (M3 / H))	9.3	17	29	49	74	124	212	334	549	787	1148	2318

TORQUE VALUES (in Nm without safety coefficient) :

DN	15	20	25	32	40	50	65	80	100	125	150	200
Torque (Nm)	4	4	5	10	22	42	45	45	45	105	170	190

DUCTILE IRON BALL VALVE PN 16 LENGTH DIN 3202-1 F4/F5

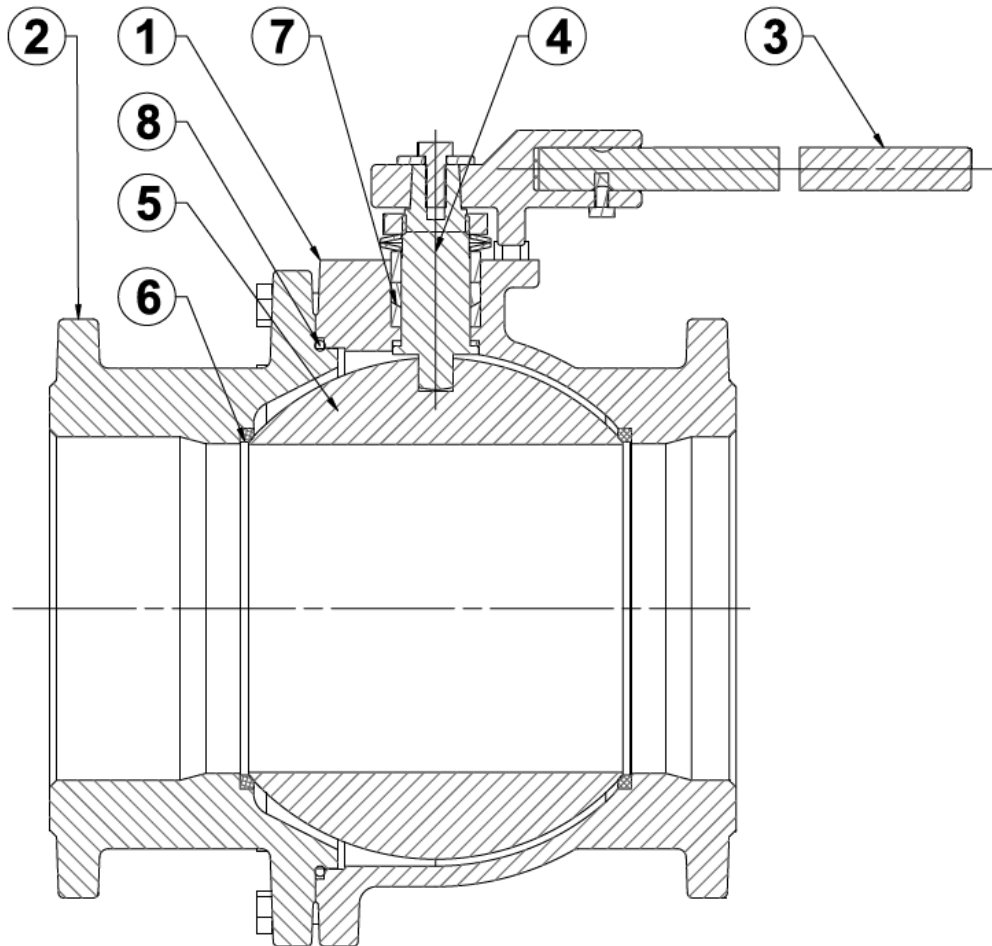
MATERIALS DN15-100 :



Item	Designation	Materials
1	Body	Ductile iron EN GJS-400-15
2	Ends	
3	Handle	Steel St37
4	Stem	AISI 420
5	Ball	
6	Seat	PTFE
7	O Ring	EPDM

DUCTILE IRON BALL VALVE PN 16 LENGTH DIN 3202-1 F4/F5

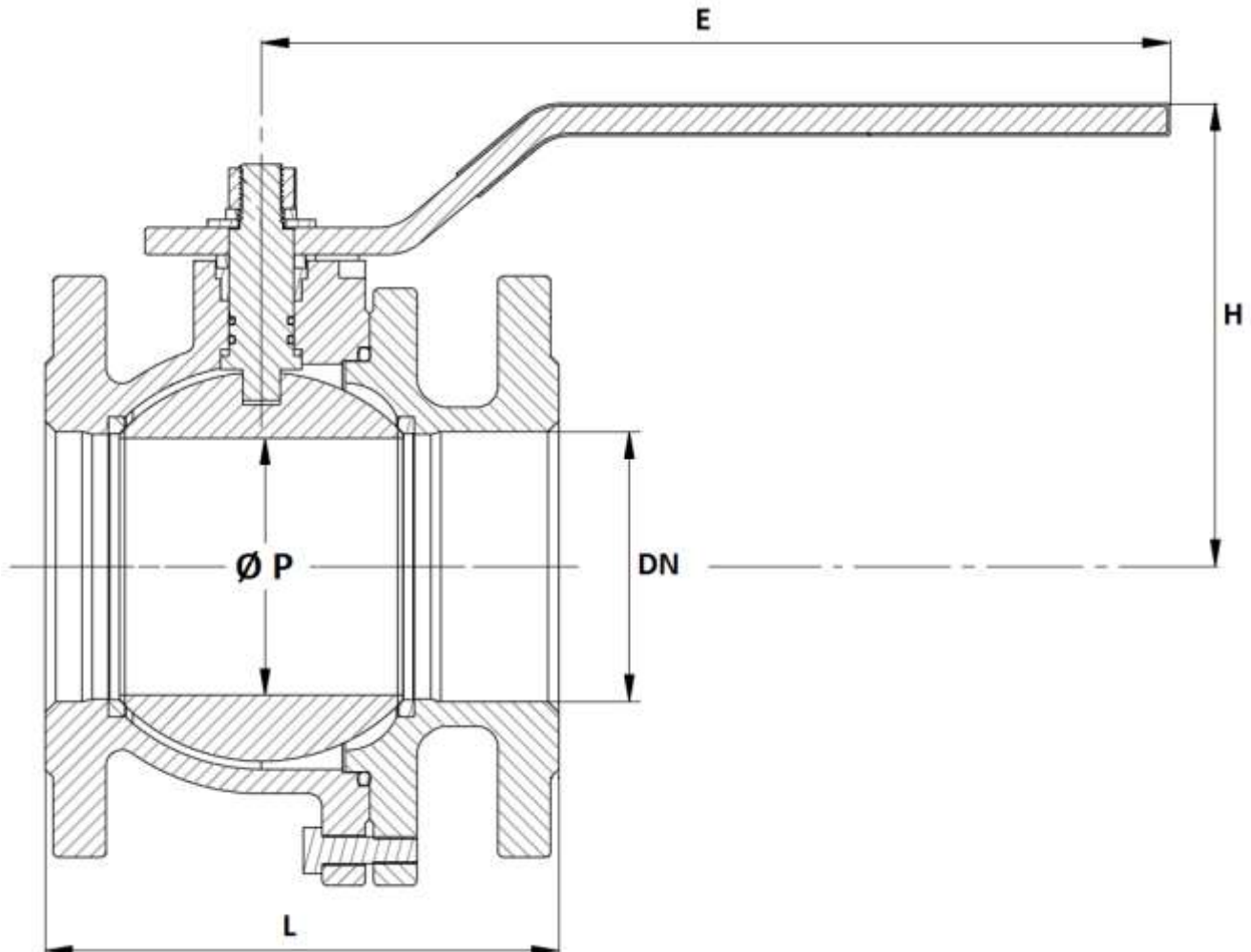
MATERIALS DN125-200 :



Item	Designation	Materials
1	Body	Ductile iron EN GJS-400-15
2	Ends	
3	Handle	Steel St37
4	Stem	AISI 420
5	Ball	
6	Seat	PTFE
7	Packing	PTFE
8	O ring	EPDM

DUCTILE IRON BALL VALVE PN 16 LENGTH DIN 3202-1 F4/F5

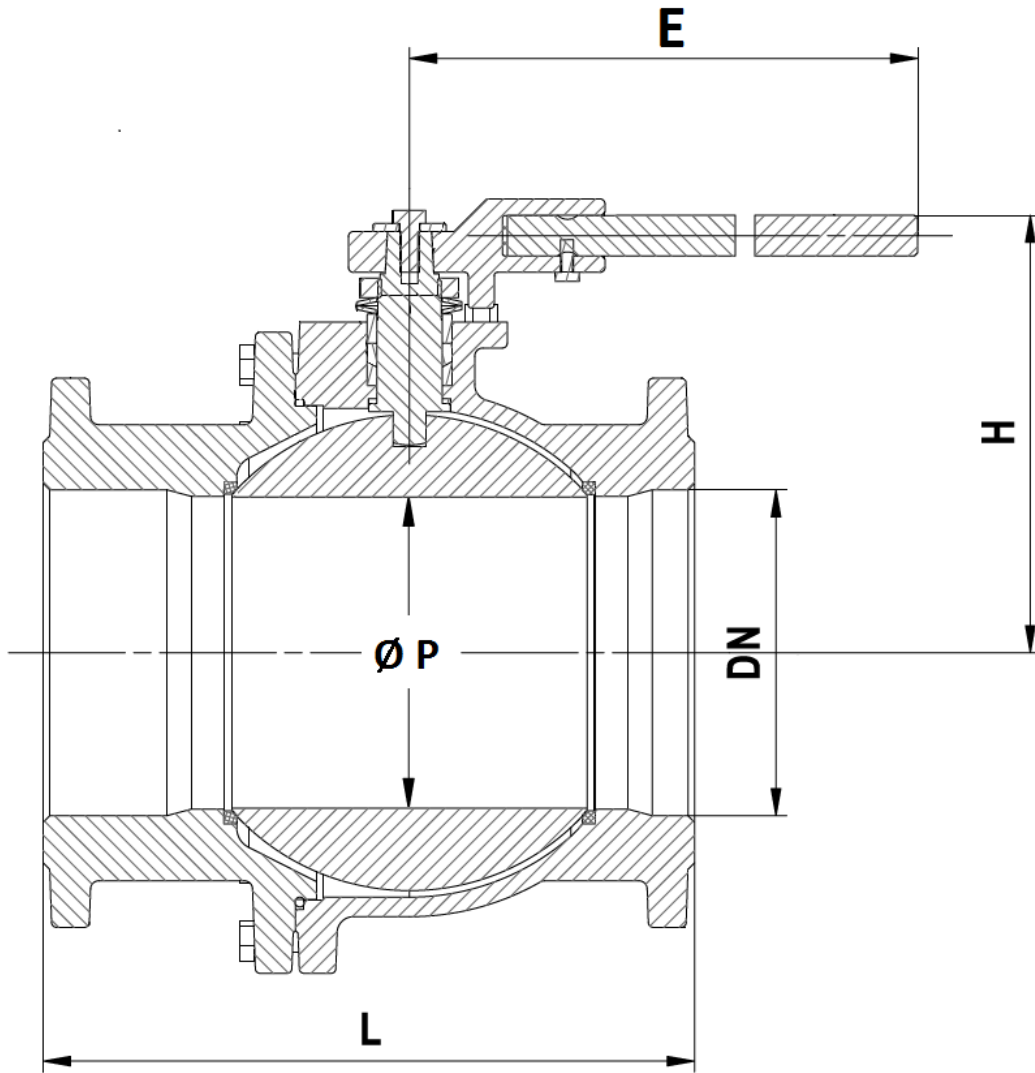
SIZE DN15-100 (in mm) :



DN	15	20	25	32	40	50	65	80	100
L	115	120	125	130	140	150	170	180	190
Ø P	15	19	24	30	38	47	62	76	95
H	105	105	105	110	120	130	140	155	170
E	155	155	155	190	190	260	260	335	335
Weight (Kg)	2.3	2.7	3.2	5.2	6.6	8.8	12	17.4	23.7
Ref.	507D015	507D020	507D025	507D032	507D040	507D050	507D065	507D080	507D100

DUCTILE IRON BALL VALVE PN 16 LENGTH DIN 3202-1 F4/F5

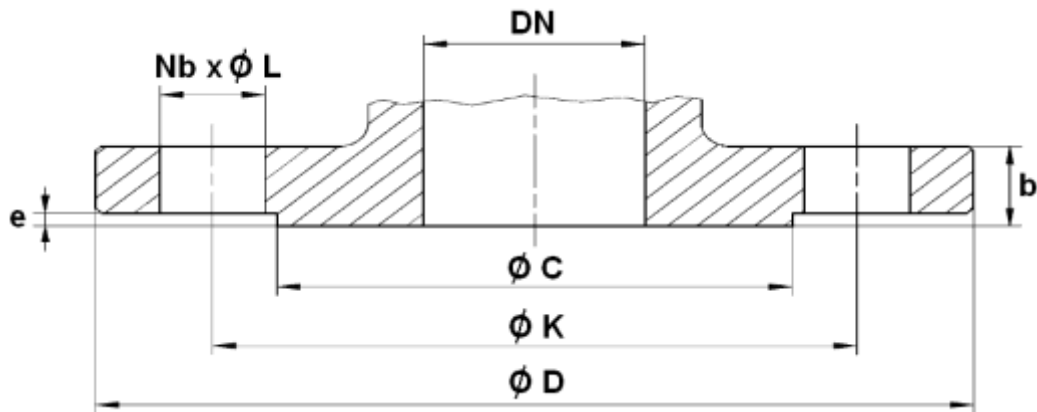
SIZE DN125-200 (in mm) :



DN	125	150	200
L	325	350	400
Ø P	119	142	191
H	190	250	280
E	335	700	700
Weight (in Kg)	40.6	70.6	88.5
Ref.	507D126	507D151	507D200

DUCTILE IRON BALL VALVE PN 16 LENGTH DIN 3202-1 F4/F5

FLANGES SIZE (in mm) :



DN	15	20	25	32	40	50	65	80	100	125	150	200
Ø C	46	56	65	76	84	99	118	132	156	184	211	266
Ø D	95	105	115	140	150	165	185	200	220	250	285	340
Ø K	65	75	85	100	110	125	145	160	180	210	240	295
Nb x Ø L	4 x 14			4 x 19				8 x 19		8 x 19	8 x 23	12 x 23
b	14	16	16	18	18	20	20	22	24	26	26	30
e	2	2	3	3	3	3	3	3	3	3	3	3

DUCTILE IRON BALL VALVE PN 16 LENGTH DIN 3202-1 F4/F5**STANDARDS :**

- Manufacturer certified ISO 9001 :2015 and ISO 14001 :2015
- DIRECTIVE 2014/68/EU: For liquid and gas of group 2
 - DN15-50: Article 4, §3 (SEP), no CE marking
 - DN65-200: Risk Category I, CE2810 or CE1521 marking
- Valve design according to ISO 17292
- Length according to EN 558 series 14 (DIN 3202-1 F4) from DN15 to DN100
- Length according to EN 558 series 15 (DIN 3202-1 F5) from DN125 to DN200
- Flanges R.F according to EN 1092-2 PN10/16
- Pressure tests according to EN 12266-1, Rate A

ADVICE : Our opinion and our advice are not guaranteed and SFERACO shall not be liable for the consequences of damages. The customer must check the right choice of the products with the real service conditions.